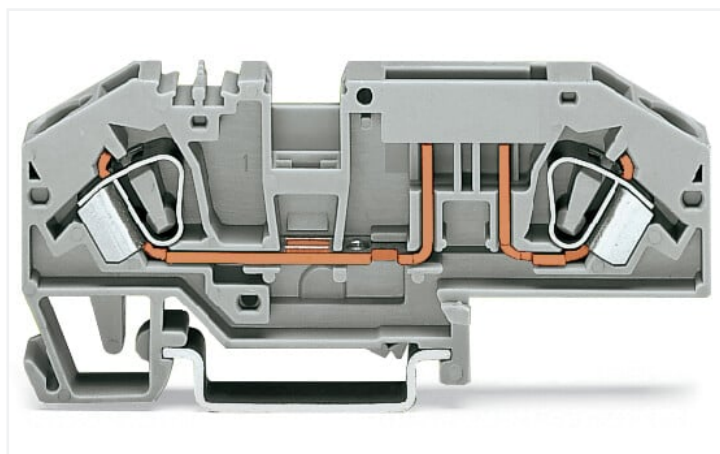
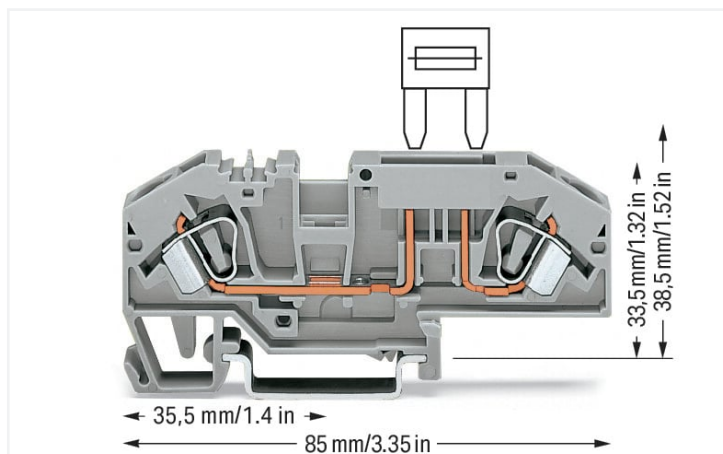


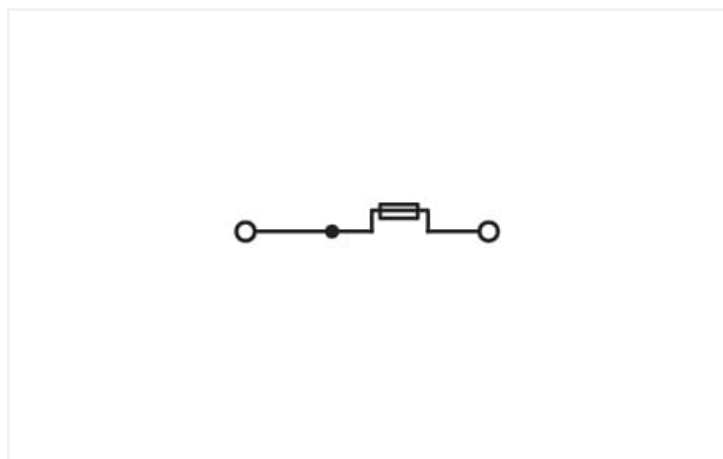
## Data Sheet | Item Number: 282-696

2-conductor fuse terminal block; for automotive blade-style fuses; with test option; without blown fuse indication; 6 mm<sup>2</sup>; CAGE CLAMP®; 6,00 mm<sup>2</sup>; gray

<https://www.wago.com/282-696>



Color: ■ gray



### Electrical data

| Ratings per   | IEC/EN 60947-7-3 |     |    |
|---|------------------|-----|----|
|   | III              | III | II |
| Overvoltage category                                      | III              | III | II |
| Pollution degree  | 3                | 2   | 2  |
| Nominal voltage   | 400 V            | -   | -  |
| Rated surge voltage                                       | 6 kV             | -   | -  |
| Rated current   | 25 A             | -   | -  |
| Current at conductor cross-section (max.) mm <sup>2</sup> | 30 A             | -   | -  |

| Ratings per IEC/EN 2 |   |
|----------------------|---|
| Ratings (note) 2     | Blade-style fuses: Observe touch-proof protection for 42 V and higher voltages! |

### General information

|                 |  |
|-----------------|--|
| Fuse receptacle | pluggable  |
| Fuse type       | Standard flat plug-in fuse; 19.1 x 5.1 x 18.5 mm |

### Connection data

|                            |   |
|----------------------------|---|
| Connection points          | 2 |
| Total number of potentials | 2 |
| Number of levels           | 1 |

### Connection 1

|                                 |   |
|---------------------------------|---|
| Connection technology           | CAGE CLAMP®                               |
| Actuation type                  | Operating tool                            |
| Connectable conductor materials | Copper                                    |
| Solid conductor                 | 0.2 ... 6 mm <sup>2</sup> / 24 ... 10 AWG |
| Fine-stranded conductor         | 0.2 ... 6 mm <sup>2</sup> / 24 ... 10 AWG |
| Strip length                    | 12 ... 13 mm / 0.47 ... 0.51 inches       |
| Wiring direction                | Front-entry wiring                        |

### Physical data

|                                   |                        |
|-----------------------------------|------------------------|
| Width                             | 8 mm / 0.315 inches    |
| Height                            | 85 mm / 3.346 inches   |
| Depth from upper-edge of DIN-rail | 33.5 mm / 1.319 inches |

### Mechanical data

|               |                |
|---------------|----------------|
| Design        | angled         |
| Mounting type | DIN-35 rail    |
| Marking level | Center marking |

### Material data

|                             |  |
|-----------------------------|--|
| Note (material data)        | <a href="#">Information on material specifications can be found here</a> |
| Color                       | gray   |
| Material group              | I  |
| Insulation material         | Polyamide (PA66)   |
| Flammability class per UL94 | V0   |
| Fire load                   | 0.293 MJ   |
| Weight                      | 17.3 g   |

### Environmental requirements

|                                  |                 |
|----------------------------------|-----------------|
| Processing temperature           | -35 ... +85 °C  |
| Continuous operating temperature | -60 ... +105 °C |

### Commercial data

|                       |                                  |
|-----------------------|----------------------------------|
| Product Group         | 1 (Rail Mounted Terminal Blocks) |
| eCl@ss 10.0           | 27-14-11-16                      |
| eCl@ss 9.0            | 27-14-11-16                      |
| ETIM 8.0              | EC000899                         |
| ETIM 7.0              | EC000899                         |
| PU (SPU)              | 25 pcs                           |
| Packaging type        | Box                              |
| Country of origin     | CN                               |
| GTIN                  | 4050821234517                    |
| Customs tariff number | 85369095000                      |

### Environmental Product Compliance

RoHS Compliance Status Compliant, No Exemption

### Approvals / Certificates

#### General approvals



| Approval                            | Standard      | Certificate Name |
|-------------------------------------|---------------|------------------|
| CSA<br>DEKRA Certification B.V.     | C22.2 No. 158 | 1505033          |
| UR<br>UL International Germany GmbH | UL 1059       | E45172           |

### Downloads

#### Environmental Product Compliance

| Compliance Search  |
|--|
| Environmental Product Compliance 282-696 <a href="#">↓</a> |

### Documentation

| Additional Information |                   |                   |
|------------------------|-------------------|-------------------|
| Technical Section      | pdf<br>2240.62 KB | <a href="#">↓</a> |

| Bid Text |            |                 |                   |
|----------|------------|-----------------|-------------------|
| 282-696  | 19.02.2019 | xml<br>3.58 KB  | <a href="#">↓</a> |
| 282-696  | 09.03.2017 | doc<br>25.00 KB | <a href="#">↓</a> |

### CAD/CAE-Data

| CAD data                               |
|--|
| 2D/3D Models 282-696 <a href="#">↓</a> |

| CAE data                                    |
|---|
| EPLAN Data Portal 282-696 <a href="#">↓</a> |
| WSCAD Universe 282-696 <a href="#">↓</a>    |
| ZUKEN Portal 282-696 <a href="#">↓</a>      |

## 1 Compatible Products

### 1.1 Required Accessories

#### 1.1.1 End plate

##### 1.1.1.1 End plate



Item No.: 282-334

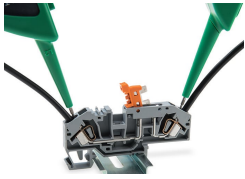
End plate; 2 mm thick; gray

Item No.: 282-333

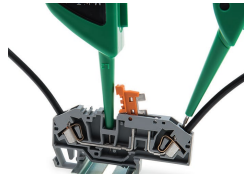
End plate; 2 mm thick; orange

## Installation Notes

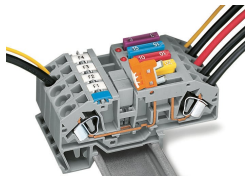
### Testing



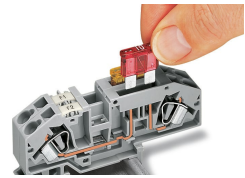
Testing via conductor entry.



Testing via jumper contact slot.



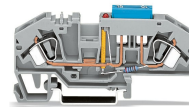
Power supply via disconnect link – disconnecting all outputs.



Inserting a fuse.



Blown fuse indication via LED



2-conductor fuse terminal block with mini-automotive blade-style fuse

