

ILLUMINATED PUSHBUTTON SWITCHES

820, 822 SERIES SPECIFICATIONS:

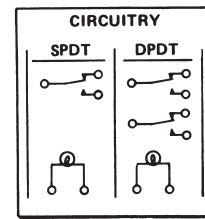
- Action:** Illuminated panel mount. Momentary; Alternate with positive latch down.
- Electrical Ratings:** Silver contacts, 3 Amps @ 125VAC or 250VAC; Gold contacts, 0.25 Amp @ 125VAC or 30VDC; UL listed, CSA certified.
- Terminations:** .025" x .110" suitable for solder or female 110 connectors; epoxy sealed.
- Pushbuttons:** 3/4" square; height "A" above bezel, 0.24".
- Mounting:** Snap-in panel mounting in .0875" square cutout; 1/16" to 3/16" panel thickness; stainless steel retaining clips; barrier mount available.
- Lamps:** Front relampable; lamp stationary to reduce mechanical shock to filament.
- Pushbutton Travel:** 0.220".

| Cat. No. Termination Solder Tab | Switch Action | Switch Circuit | Contacts | | Net Price |
|--|-----------------------------------|-------------------|----------|------|-----------|
| | | | Material | Amps | |
| 820 SERIES PANEL MOUNT SWITCH BASE ASSEMBLIES | | | | | |
| 820K11810 | Momentary | SPDT | Silver | 3 | \$21.90 |
| 820K12810 | Momentary | DPDT | Silver | 3 | 28.36 |
| 825L10 | Matching Indicator for 820 Series | | | | 13.04 |

PUSHBUTTON CAPS FOR 820/822 SERIES

| Cat. No. | Lens Colour | Lens Finish | Net Price |
|----------|-------------|-------------|-----------|
| 820PM01A | White | Matte | \$3.99 |
| 820PM02A | Red | Matte | 3.99 |
| 820PM03A | Green | Matte | 3.99 |
| 820PM04A | Yellow | Matte | 3.99 |
| 820PT00A | Orange | Translucent | 3.99 |
| 820PT01A | White | Translucent | 3.99 |
| 820PT03A | Red | Translucent | 3.99 |
| 820PT04A | Yellow | Translucent | 3.99 |

Note: Use 7A1H neon lamp; requires external 35k resistor.
 Note: For 120VAC use 7A1H neon lamp; requires external 47k resistor.



810, 812 SERIES SPECIFICATIONS:

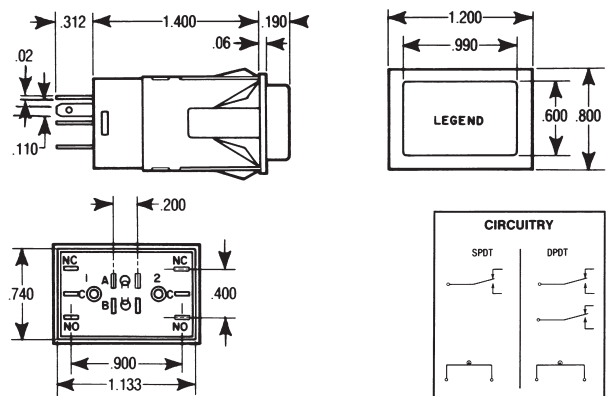
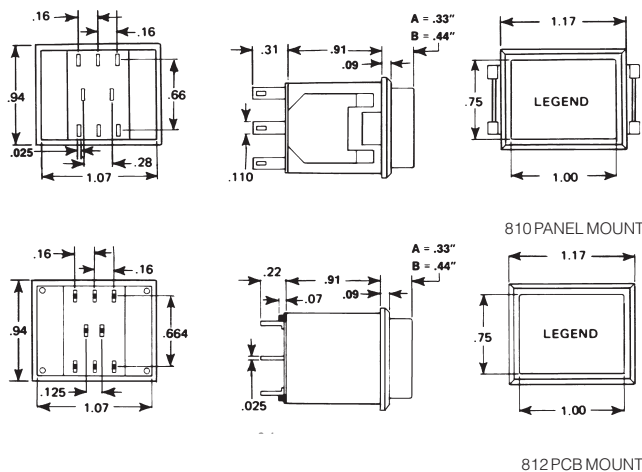
- Action:** Illuminated panel mount. Momentary; Alternate with positive latch down.
- Electrical Ratings:** Silver contacts, 3 Amps @ 125VAC or 250VAC; Gold contacts, 0.25 Amp @ 125VAC or 30VDC; UL listed, CSA certified.
- Terminations:** .025" x .110" suitable for solder or female 110 connectors; epoxy sealed.
- Pushbuttons:** 3/4" x 1" rectangular; height "A" above bezel, 0.24".
- Mounting:** Snap in panel mounting in 0.875" x 1.10" cutout; 1/16" to 3/16" panel thickness; stainless steel retaining clips; barrier mount available.
- Lamps:** Front relampable; lamp stationary to reduce mechanical shock to filament.
- Pushbutton Travel:** 0.220".

| Cat. No. Termination Solder Tab | Switch Action | Switch Circuit | Contacts | | Net Price |
|--|-----------------------------------|-------------------|----------|------|-----------|
| | | | Material | Amps | |
| 810 SERIES PANEL MOUNT SWITCH BASE ASSEMBLIES | | | | | |
| 810K11810 | Momentary | SPDT | Silver | 3 | \$20.95 |
| 810K12810 | Momentary | DPDT | Silver | 3 | 26.91 |
| 810K21810 | Alternate | SPDT | Silver | 3 | 24.08 |
| 810K22810 | Alternate | DPDT | Silver | 3 | 30.11 |
| 815L10 | Matching Indicator for 810 Series | | | | 10.41 |

PUSHBUTTON CAPS FOR 810/812 SERIES

| Cat. No. | Lens Colour | Finish | Net Price |
|----------|-------------|-------------|-----------|
| 810PM01A | White | Matte | \$3.99 |
| 810PM02A | Red | Matte | 3.99 |
| 810PM03A | Green | Matte | 3.99 |
| 810PM04A | Yellow | Matte | 3.99 |
| 810PT00A | Orange | Translucent | 3.99 |
| 810PT01A | White | Translucent | 3.72 |
| 810PT02A | Red | Translucent | 3.72 |
| 810PT03A | Green | Translucent | 3.72 |
| 810PT04A | Yellow | Translucent | 3.72 |

Note: Use 7A1H neon lamp; requires external 35k resistor.
 Note: For 120VAC operation use 7A1H neon lamp; requires external 35K resistor.



Continued on next page....