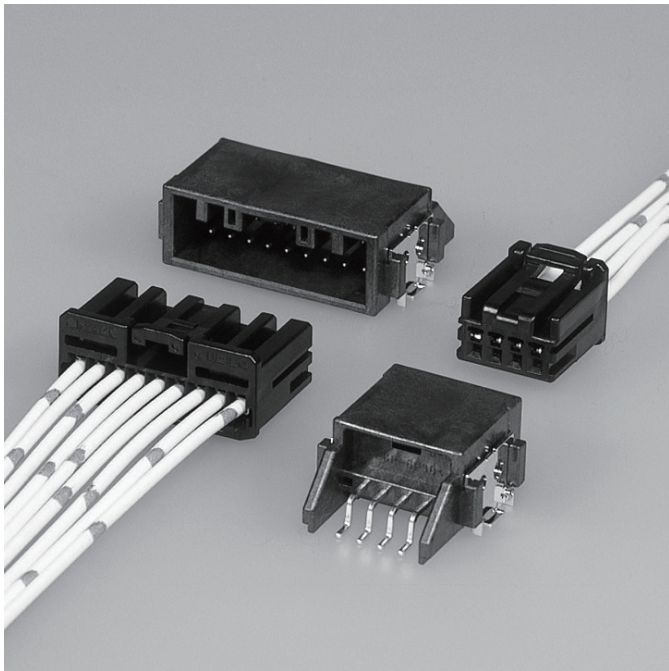


# HCH CONNECTOR

Board-to-wire



2.54mm pitch, 0.64 unsealed connector for automotive corresponding to the surface mounting.

## ■ Features

### ● Miniaturization

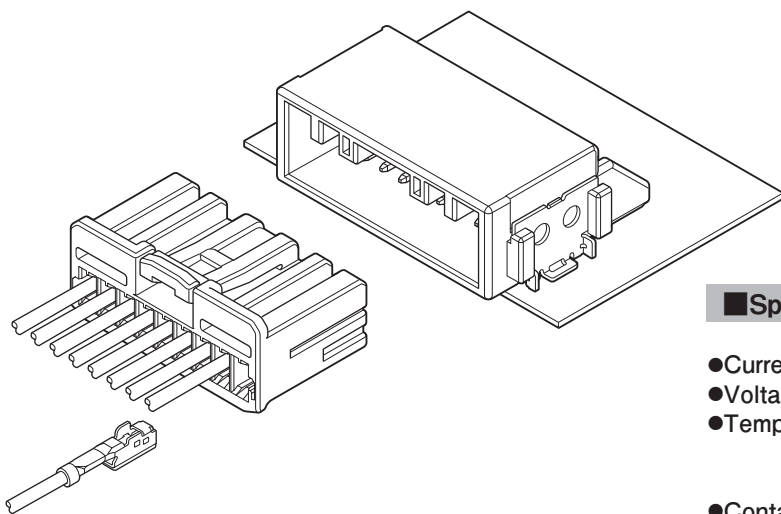
Using the short length female terminal, the miniaturization is realized.

### ● Surface mounting

Corresponding to the surface mounting (lead-free), mounting workability is improved.

### ● Reliability

High reliability ensures by using proven female terminal in the automotive electrical equipment.



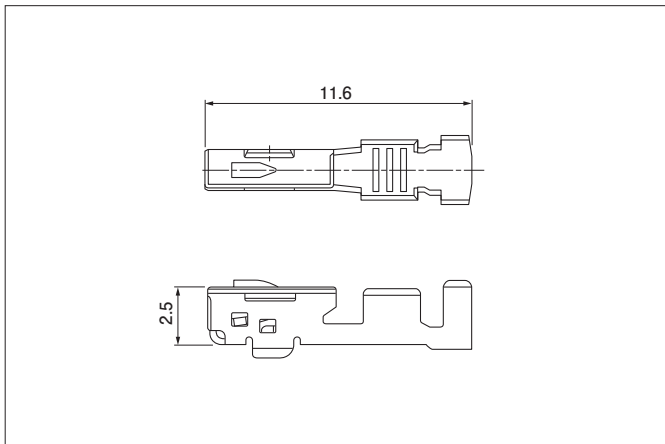
## ■ Specifications

- Current rating: 5A AC, DC (0.5mm<sup>2</sup>, Single circuit)
- Voltage rating: 50V AC, DC
- Temperature range: -40°C to +120°C  
(including temperature rise in applying electrical current)
- Contact resistance: Initial value/10mΩ max.  
After environmental testing/20mΩ max.
- Applicable wire: AVSS  
0.3mm<sup>2</sup> to 0.5mm<sup>2</sup>

\* Compliant with ELV/RoHS.

\* Contact JST for details.

## Female terminal



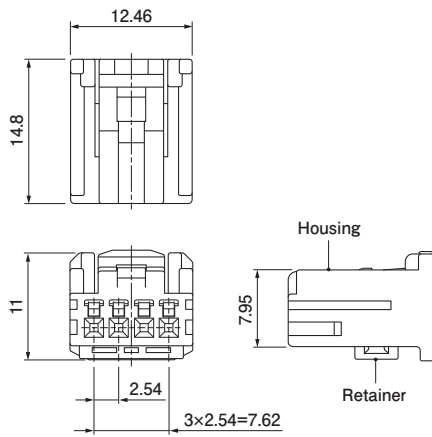
Model No.	Applicable wire range		Q'ty/reel
	Conductor (mm <sup>2</sup> )	Insulation O.D. (mm)	
SHCM-A03T-P025	0.3 to 0.5	1.4 to 1.8	5,000

### Material and Finish

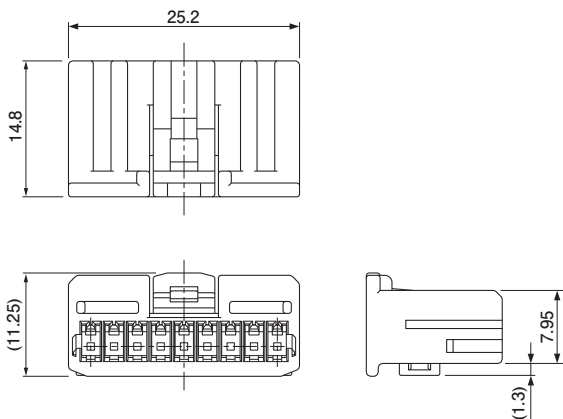
Copper alloy, tin-plated (reflow treatment)

## Female connector

### ●4 circuits



### ●9 circuits



Circuits	Model No.	Q'ty/box
4	HCMPB-04-K	600
9	HCHFB-09-KE	300

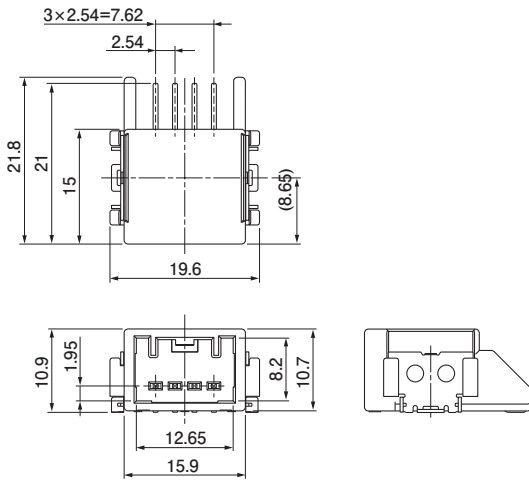
### Material

Housing: PBT, black  
Retainer: PBT, blue

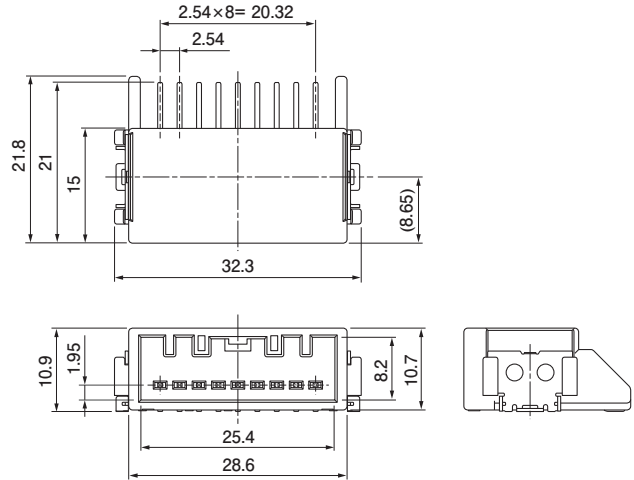
# HCH CONNECTOR

## Male connector

### ●4 circuits



### ●9 circuits



Circuits	Model No.	Q'ty/reel
4	SM04B-HCHK-TB	220
9	SM09B-HCHK-TB	220

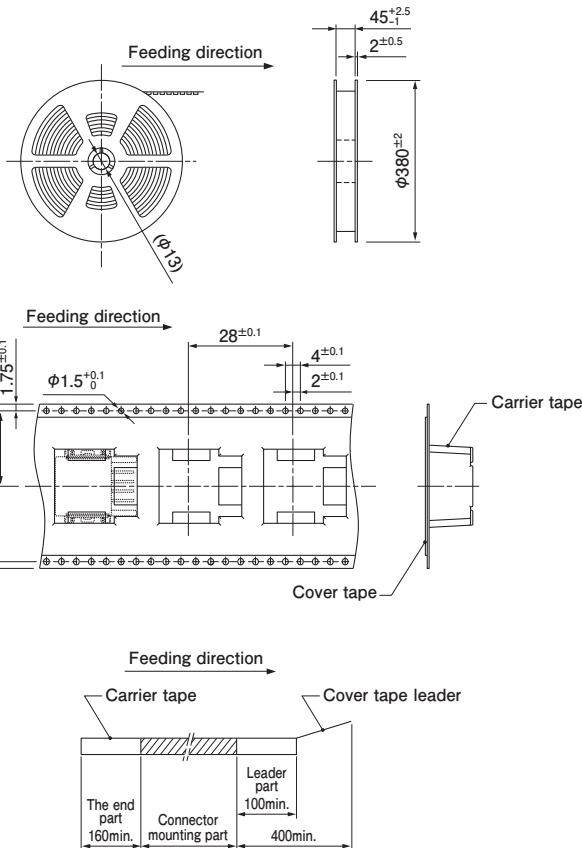
#### Material and Finish

Housing: Glass-filled LCP, black  
 Terminal: Brass, nickel-undercoated, tin-plated  
 Reinforcing tab: Brass, nickel-undercoated, tin-plated

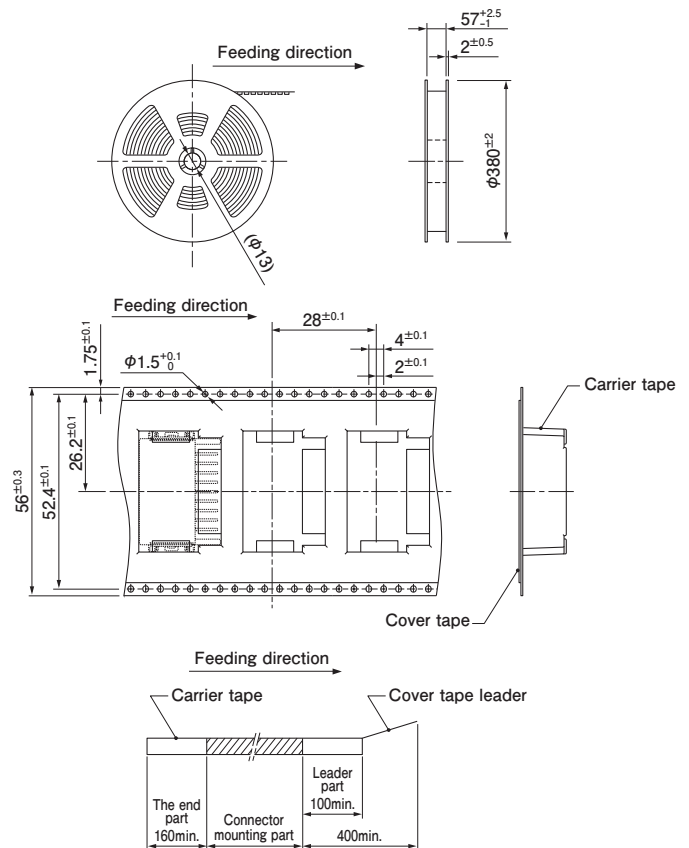
Note: This product displays (LF)(SN) on a label.

## Taping Specifications

### ●4 circuits

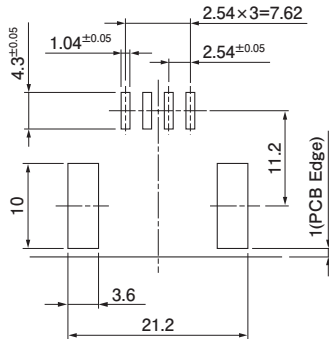


### ●9 circuits

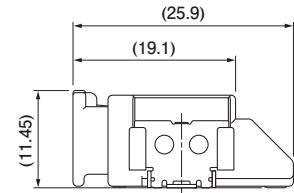
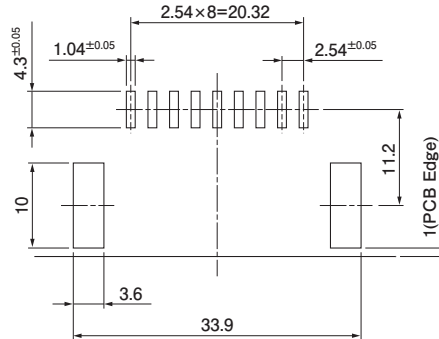


## PC board layout, Assembly layout

### ●4 circuits



### ●9 circuits



Note: 1. Tolerances are non-cumulative: 0.05mm for all centers.  
2. The dimensions above should serve as guideline. Contact JST for details.

## Crimping machine, Applicator

Strip terminal	Crimping machine	Crimp applicator MKS-L	
		Dies	Crimp applicator with dies
SHCM-A03T-P025	AP-K2N	MK/SHCM-A03-025	APLMK SHCM-A03-025

Note: When crimping operation is conducted using an applicator and die set other than the above, JST cannot guarantee the performance of the terminal.