

2170395-1 ✓ ACTIVE

QSFP/QSFP+

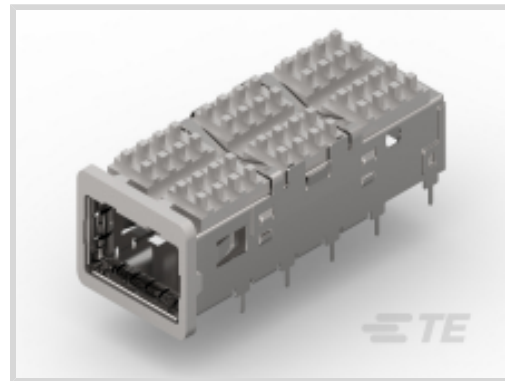
TE Internal #: 2170395-1

QSFP+, Cage Assembly, Sealable, Signal, Operating Temperature Range -55 – 105 °C [-67 – 221 °F], 1 Ports, Port Matrix Configuration 1 x 1

[View on TE.com >](#)



Connectors > Pluggable IO Connectors & Cages



Pluggable I/O Product Type: **Cage Assembly**

Sealable: **Yes**

Circuit Application: **Signal**

Operating Temperature Range: **-55 – 105 °C [-67 – 221 °F]**

Number of Ports: **1**

Features

Product Type Features

Thermal Accessory Type Included	Heat Sink
Cage Type	Single
Pluggable I/O Product Type	Cage Assembly
Sealable	Yes
Form Factor	QSFP+

Configuration Features

Number of Rear EONs per Port Column	2
Number of Ports	1
Port Matrix Configuration	1 x 1

Body Features

Heat Sink Finish	Anodized Black
Heat Sink Height Class	PCI
Heat Sink Style	Pin

Contact Features

PCB Contact Termination Area Plating Material	Tin
---	-----

Termination Features



Termination Post & Tail Length	2.2 mm[.086 in]
Termination Method to PCB	Through Hole - Press-Fit

Dimensions

PCB Thickness (Recommended)	1.45 mm[.057 in]
-----------------------------	------------------

Usage Conditions

Operating Temperature Range	-55 – 105 °C[-67 – 221 °F]
-----------------------------	----------------------------

Operation/Application

Pluggable I/O Applications	EMI Enhanced
Circuit Application	Signal

Industry Standards

UL Flammability Rating	UL 94V-0
------------------------	----------

Packaging Features

Packaging Method	Box & Tray
------------------	------------

Other

Included Lightpipe	No
EMI Containment Feature Type	Customer Applied Gasket

Product Compliance

[For compliance documentation, visit the product page on TE.com>](#)

EU RoHS Directive 2011/65/EU	Compliant
EU ELV Directive 2000/53/EC	Compliant
China RoHS 2 Directive MIIT Order No 32, 2016	No Restricted Materials Above Threshold
EU REACH Regulation (EC) No. 1907/2006	Current ECHA Candidate List: JUNE 2024 (241) Candidate List Declared Against: JUNE 2024 (241) Does not contain REACH SVHC
Halogen Content	Low Halogen - Br, Cl, F, I < 900 ppm per homogenous material. Also BFR/CFR/PVC Free
Solder Process Capability	Reflow solder capable to 260°C

Product Compliance Disclaimer

This information is provided based on reasonable inquiry of our suppliers and represents our current actual knowledge based on the information they provided. This information is subject to change. The part numbers that TE has identified as EU RoHS compliant have a maximum concentration of 0.1% by weight in homogenous materials for lead, hexavalent



chromium, mercury, PBB, PBDE, DBP, BBP, DEHP, DIBP, and 0.01% for cadmium, or qualify for an exemption to these limits as defined in the Annexes of Directive 2011/65/EU (RoHS2). Finished electrical and electronic equipment products will be CE marked as required by Directive 2011/65/EU. Components may not be CE marked. Additionally, the part numbers that TE has identified as EU ELV compliant have a maximum concentration of 0.1% by weight in homogenous materials for lead, hexavalent chromium, and mercury, and 0.01% for cadmium, or qualify for an exemption to these limits as defined in the Annexes of Directive 2000/53/EC (ELV). Regarding the REACH Regulation, the information TE provides on SVHC in articles for this part number is based on the latest European Chemicals Agency (ECHA) 'Guidance on requirements for substances in articles' posted at this URL: <https://echa.europa.eu/guidance-documents/guidance-on-reach>

Compatible Parts



TE Part # CAT-C11-H5011
QSFP-Four SFP+ I/O Cable Assembly
30 AWG



TE Part # 1888810-2
EMI/Dust Cover, XFP And QSFP



TE Part # 2110819-1
QSFP+ Enh EVERCLEAR PT Conn



TE Part # 1-2053638-6
C/A, QSFP, 0.5M, P1-P2,
UNEQUALIZED



TE Part # CAT-C11-H5011
QSFP-Four SFP+ I/O Cable Assembly
28 AWG



TE Part # CAT-C11-H501142
QSFP to QSFP I/O Cable Assembly: 33
AWG



TE Part # 2202165-4
QSFP TO QSFP, 26AWG, FDR, 4.0
METER



TE Part # 2202165-5
QSFP TO QSFP, 26AWG, FDR, 5.0
METER



TE Part # 2829040-2
QSFP IB EDR, 33AWG, 1.0M



TE Part # 2829040-4
QSFP IB EDR, 30AWG, 1.0M



TE Part # 2829040-6
QSFP IB EDR, 30AWG, 2.0M



TE Part # 2829040-7
QSFP IB EDR, 26AWG, 2.0M

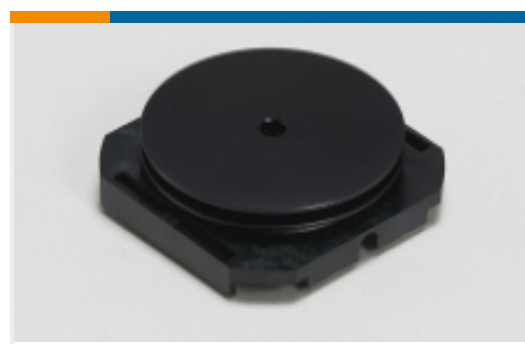


TE Part # 2829040-8
QSFP IB EDR, 26AWG, 3.0M



TE Part # 2821033-8
QSFP TO [4]SFP+, 28G, 1M, 33AWG

Also in the Series | **QSFP/QSFP+**



Heat Sinks(1)



Light Pipes(8)



Pluggable I/O Cable Assemblies(13)



Pluggable IO Connectors & Cages(154)

Customers Also Bought



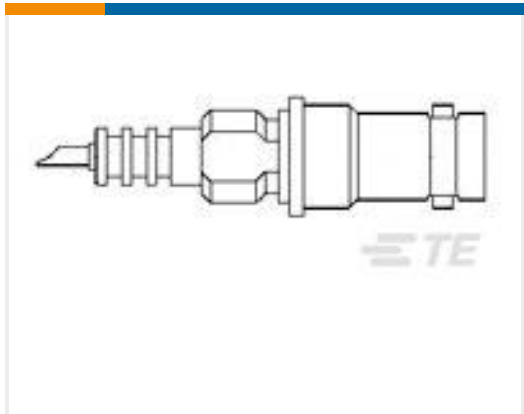
TE Part #1393260-4
SR6B4012 - V23050-A1012-A542



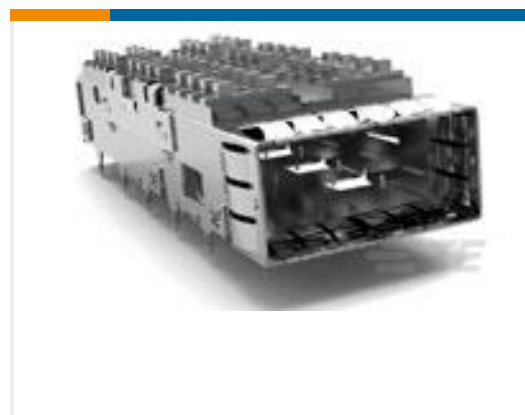
TE Part #5747844-6
09 MSFL RCPT RA 318 (SL,FM,BL)



TE Part #3-647166-3
3P MTA100 HDR ASSY,SM,FL,LF



TE Part #5051494-1
SAFE HIGH VOLTAGE BLKHD RECEPT



TE Part #1888631-1
Cage Assy PCI Hsink QSFP Thru



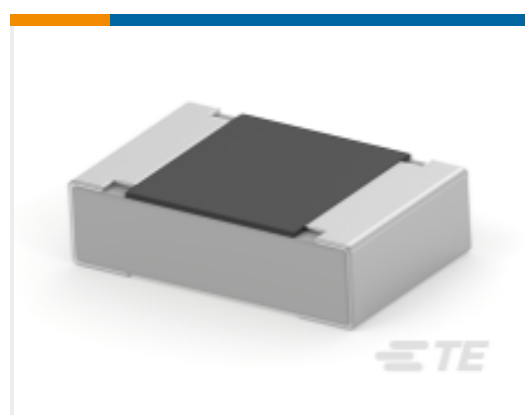
TE Part #1888631-2
Cage Assy SAN Hsink QSFP Thru Bezel



TE Part #2110819-1
QSFP+ Enh EVERCLEAR PT Conn



TE Part #2304372-1
1-PORT MATENET HDR ASSY 90DEG, COD A



TE Part #1-2176342-6
CRGCO 0805 330R 5%



TE Part #0067263001
55A0111-24-9CK0001

Documents

Product Drawings

[Cage Assy PCI Hsink QSFP Behind Bezel](#)

English

CAD Files

[3D PDF](#)

3D

[Customer View Model](#)

[ENG_CVM_CVM_2170395-1_1.2d_dxf.zip](#)



English

Customer View Model

[ENG_CVM_CVM_2170395-1_1.3d_igs.zip](#)

English

Customer View Model

[ENG_CVM_CVM_2170395-1_1.3d_stp.zip](#)

English

By downloading the CAD file I accept and agree to the [Terms and Conditions](#) of use.

Product Specifications

[Application Specification](#)

English