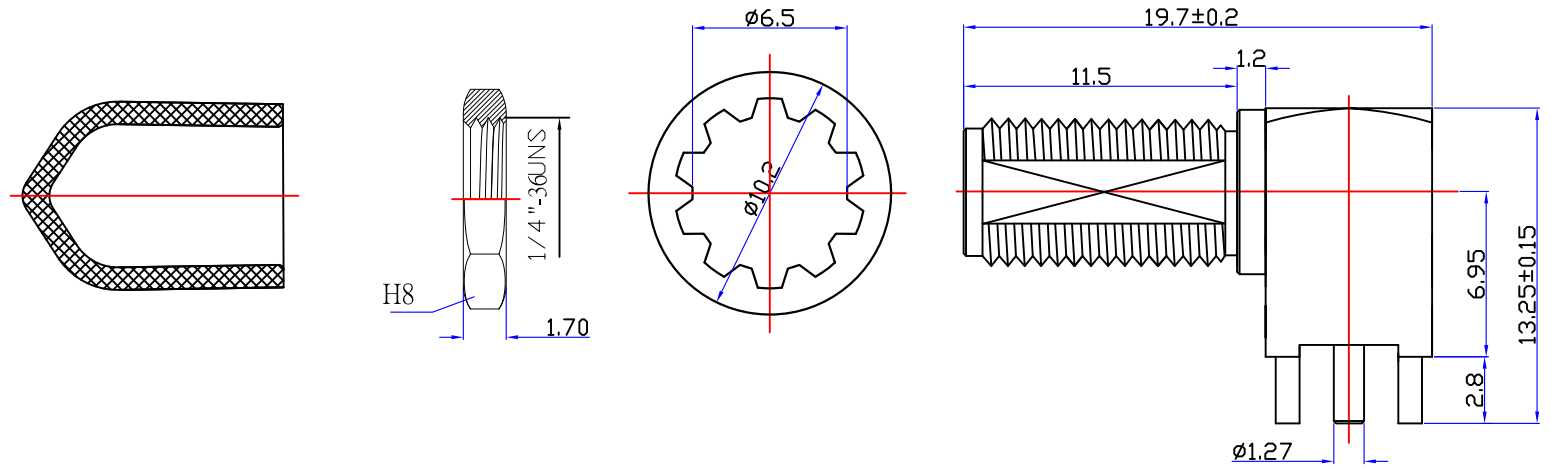


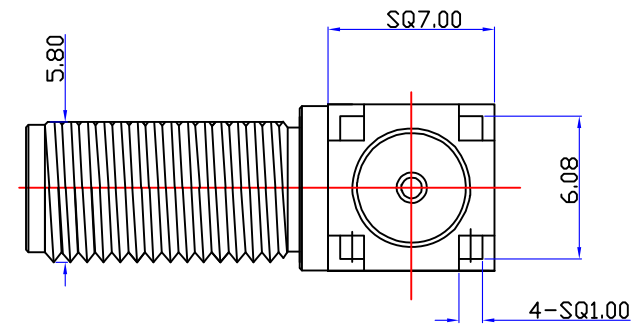
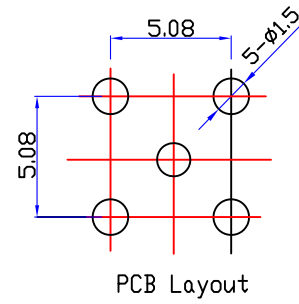


Customer NO:		DOSIN-806-0186		
REV	DESCRIPTION	DWN	DATE	APPROVEN
A	First issue	Mr. CHEN	2016/5/12	John kine
B				



Specifications:

IMPEDANCE: 50 Ohms
 Frequency range: 0~6GHZ
 VSWR: 1.5MAX
 Working voltage: 500V rms @ sea level
 Insulation resistance: 5000 Ohms min
 Temperature range: -65°C TO +165°C
 Relative temperature: ≤95% (40° C ± 2° C)



8					NOTE:
7					
6					
5	LOCK WASHER	BRASS	GOLD	1	DRAWN Zelin. Zhang
4	HEX NUT	BRASS	GOLD	1	
3	CONTACT PIN	BRASS	GOLD	1	
2	INSULATOR	TEFLON	WHITE	1	CHECKED
1	BODY	BRASS	GOLD	1	
	DESCRIPTION	MATERIAL	FINISH	QTY	APPROVALS John

Tolerance	X.	±0.15
	X.X	±0.10
	X.XX	±0.05
View	Angular	±5°
UNIT	MM	
SCALE	1:1	

Dosin Industrial (HK) Co. Ltd
 东莞市德索五金电子制品有限公司
Dosin Hardware Electronics Co., Ltd

E-mail: dosin2005@163.com
 dosin2005@dosin-china.com
 Web: http://www.dosinconn.com
 TEL: (0086) 769-81153906
 FAX: (0086) 769-81875836

Name: 90度SMA母头母针-L13.25

SIZE A	Product NO. DOSIN-806-0186	REV A
DateTime 2016/5/12	CAD FILE H/company drawings/BD	SHEET: 1 OF 1