

796136-1 ✓ ACTIVE

AMP | CGS SM, SMA

TE Internal #: 796136-1

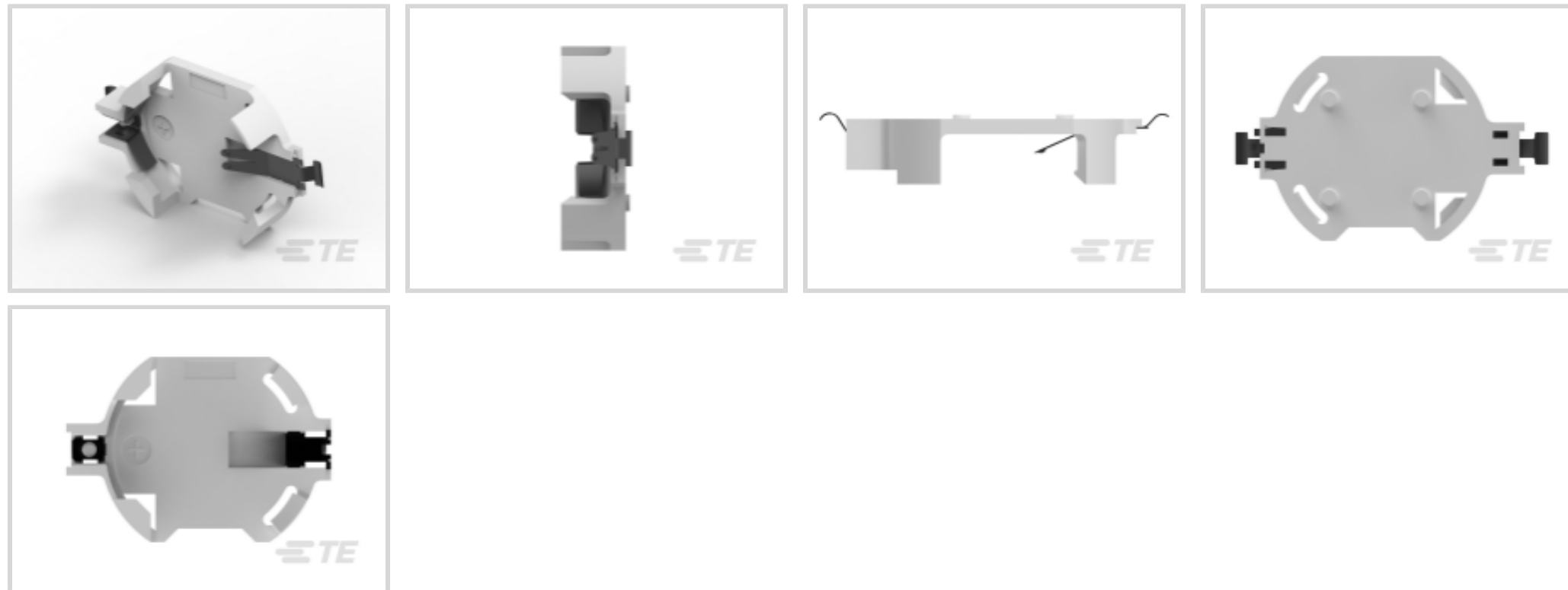
CR2032, 2 Position, Horizontal, Tin, Signal, -40 – 85 °C [-40 – 185 °F],

CGS SM, Battery Holders

[View on TE.com >](#)



Connectors > PCB Connectors > Battery Connectors & Holders > Battery Holders



Battery Compatibility: **CR2032**

Number of Positions: **2**

PCB Mount Orientation: **Horizontal**

Contact Mating Area Plating Material: **Tin**

PCB Mount Alignment: **Without**

Features

Product Type Features

Connector System	Board-to-Board
Connector & Contact Terminates To	Printed Circuit Board

Configuration Features

Number of Positions	2
PCB Mount Orientation	Horizontal

Body Features

Battery Holder Material	LCP
Battery Holder Type	Coin Cell
Primary Product Color	Natural
Battery Compatibility	CR2032

Contact Features

Contact Mating Area Plating Material	Tin
--------------------------------------	-----

Mechanical Attachment

Connector Mounting Type	Board Mount
-------------------------	-------------



PCB Mount Alignment Without

Dimensions

Compatible Battery Dimensions 32.31 x 19.05 x 6.02 mm[1.272 x .75 x .237 in]

Usage Conditions

Operating Temperature Range -40 – 85 °C[-40 – 185 °F]

Operation/Application

Circuit Application Signal

Packaging Features

Packaging Quantity 400

Packaging Method Tape & Reel

Product Compliance

[For compliance documentation, visit the product page on TE.com>](#)

EU RoHS Directive 2011/65/EU Compliant

EU ELV Directive 2000/53/EC Compliant

China RoHS 2 Directive MIIT Order No 32, 2016 No Restricted Materials Above Threshold

EU REACH Regulation (EC) No. 1907/2006
 Current ECHA Candidate List: JUNE 2024 (241)
 Candidate List Declared Against: JUNE 2024 (241)
 Does not contain REACH SVHC

Halogen Content Low Halogen - Br, Cl, F, I < 900 ppm per homogenous material. Also BFR/CFR/PVC Free

Solder Process Capability Reflow solder capable to 260°C

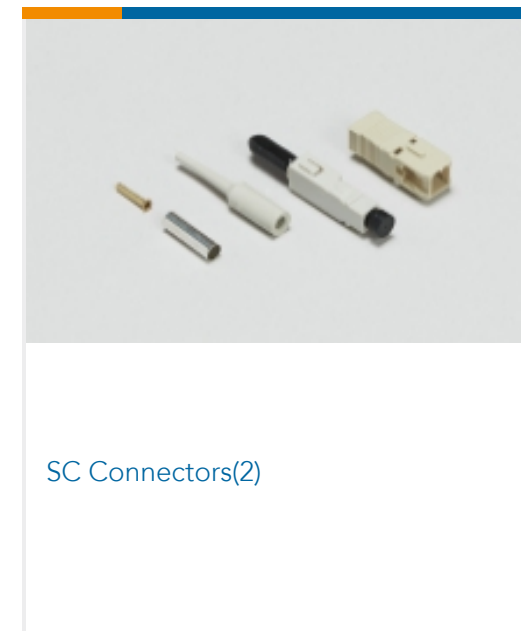
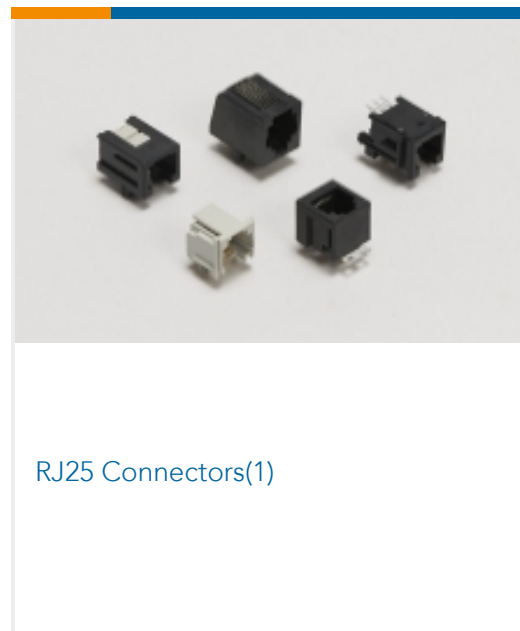
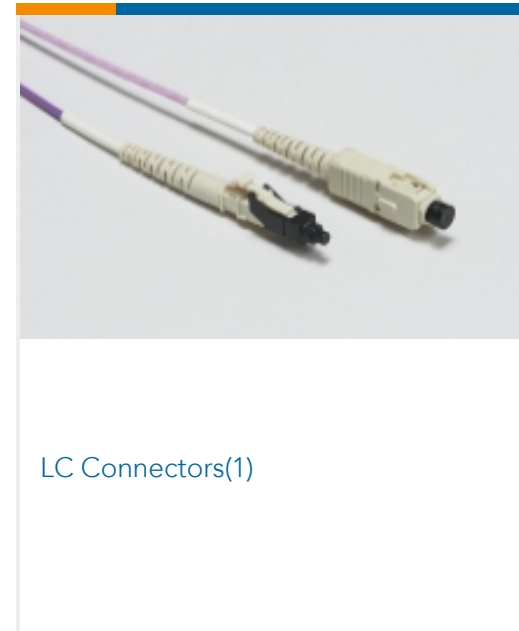
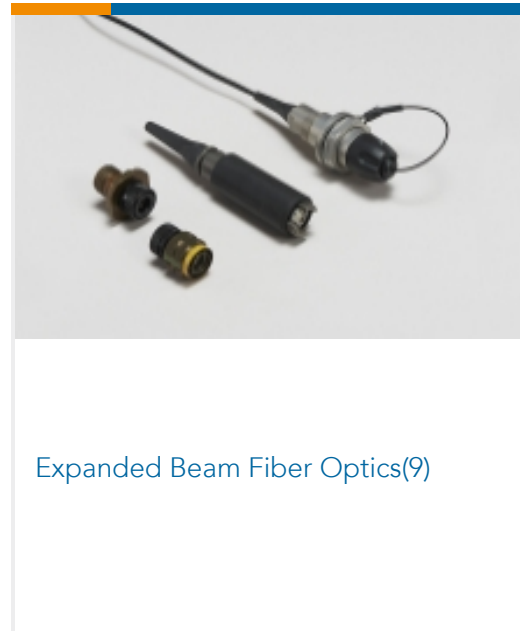
Product Compliance Disclaimer

This information is provided based on reasonable inquiry of our suppliers and represents our current actual knowledge based on the information they provided. This information is subject to change. The part numbers that TE has identified as EU RoHS compliant have a maximum concentration of 0.1% by weight in homogenous materials for lead, hexavalent chromium, mercury, PBB, PBDE, DBP, BBP, DEHP, DIBP, and 0.01% for cadmium, or qualify for an exemption to these limits as defined in the Annexes of Directive 2011/65/EU (RoHS2). Finished electrical and electronic equipment products will be CE marked as required by Directive 2011/65/EU. Components may not be CE marked. Additionally, the part numbers that TE has identified as EU ELV compliant have a maximum concentration of 0.1% by weight in homogenous materials for lead, hexavalent chromium, and mercury, and 0.01% for cadmium, or qualify for an exemption to these limits as defined in the Annexes of Directive 2000/53/EC (ELV). Regarding the REACH Regulation, the information TE provides on SVHC in articles for this part number is based on the latest European Chemicals Agency (ECHA) 'Guidance on requirements for substances in articles' posted at this URL: <https://echa.europa.eu/guidance-documents/guidance-on-reach>

Compatible Parts



Also in the Series | CGS SM



Also in the Series | SMA



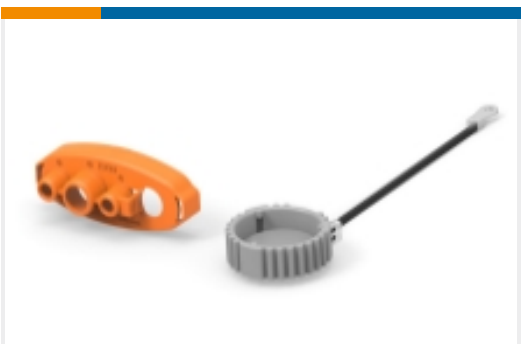
Battery Holders(1)



Coax Connectors(65)



Connector Adapters & Connector Savers(8)



Connector Caps & Covers(3)



Connector Hardware(2)



Connector Strain Relief(1)



RF Cable Assemblies(2)

Customers Also Bought



TE Part #292206-5
MINI CT SGL DIP H 5P NAT



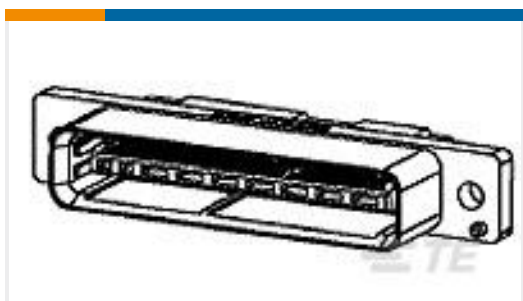
TE Part #3-2343522-3
SFP56 STACKED 2X2 RECEPTACLE ASSEMBLY



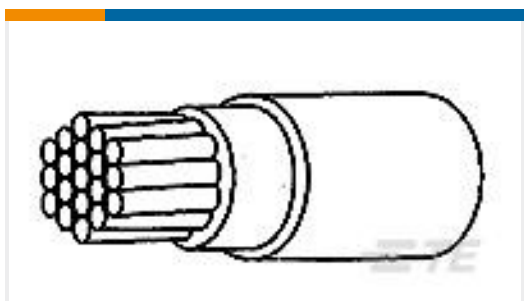
TE Part #292230-3
1.5 MINI CT SGL V SMT W/BOSS 3



TE Part #292230-4
1.5 MINI CT SGL V SMT W/BOSS 4



TE Part #6-292233-0
1.5 MINI CT DRAWER 60P PLUG



TE Part #4478853001
FLT0111-0.35-6



TE Part #292231-3
1.5 MINI CT SGL V SMT W/O BOSS



TE Part #3-1734577-2
MOD-JK,8P8C,SHD W/O LED, 15u" Au



TE Part #354444-E
STVE 48 F ACE GGG 7-01 EE 6,0 * 207 E 17

Documents



Product Drawings

[ASSY, SMT BATTERY CONN](#)

English

CAD Files

Customer View Model

[ENG_CVM_CVM_796136-1_H1.3d_stp.zip](#)

English

Customer View Model

[ENG_CVM_CVM_796136-1_H1.3d_igs.zip](#)

English

3D PDF

3D

Customer View Model

[ENG_CVM_CVM_796136-1_H1.2d_dxf.zip](#)

English

By downloading the CAD file I accept and agree to the [Terms and Conditions](#) of use.

Datasheets & Catalog Pages

[POWER_CONNECTORS_CATALOG_SEC09_LAPTOPS_PORTABLES](#)

English

[2_PIECE_POWER_CONNECTORS_qrg_4-1773458-1](#)

English

Product Specifications

[Product Specification](#)

English

Instruction Sheets

[Instruction Sheet \(U.S.\)](#)

English