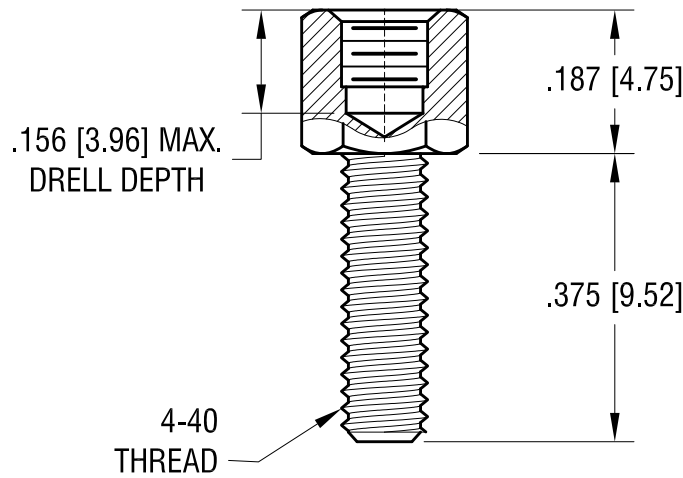
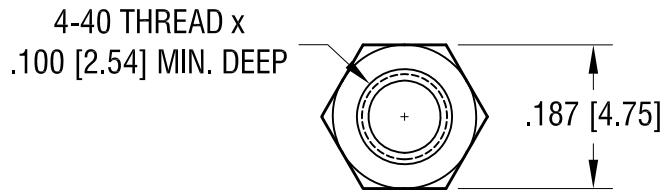
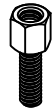


THIS DOCUMENT IS THE PROPERTY OF  
KEYSTONE ELECTRONICS CORP. AND  
SHALL NOT BE REPRODUCED, DISTRIBUTED  
OR USED AS A BASIS FOR MANUFACTURE  
WITHOUT PRIOR WRITTEN PERMISSION  
FROM KEYSTONE ELECTRONICS CORP.

ACTUAL SIZE



**KEYSTONE ELECTRONICS CORP.**

www.keyelco.com • NEW HYDE PARK NY 11040 • Tel (516)328-7500

PART NAME

JACK SCREW

MATERIAL

STEEL

FINISH ZINC PLATE  
CLEAR CHROMATE

DRN BY BOONE

DATE 2.01.06

APP'D RH

SCALE 4X

TOLERANCES INCH [MM]  
DECIMAL ± .005 [± 0.13 ]  
ANGULAR ± 1°  
UNLESS OTHERWISE SPECIFIED

CODE  
C

DWG NO.

7241-5

12.13.23 SPLIT C/M DRAWING TO 'C' &'M  
CHANGE AS PER ECN 23-307

A

REV.

DATE

DESCRIPTION