

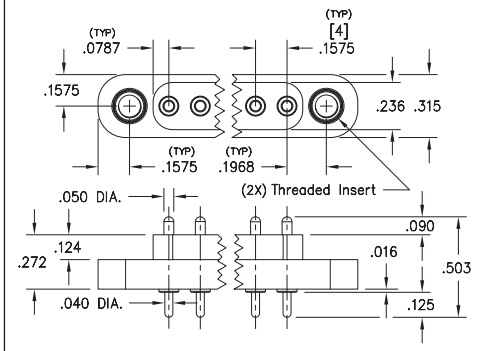
# SPRING-LOADED CONNECTORS

## SERIES 858 • 4MM GRID RUGGED CONNECTOR • SURFACE MOUNT AND THROUGH HOLE MOUNT

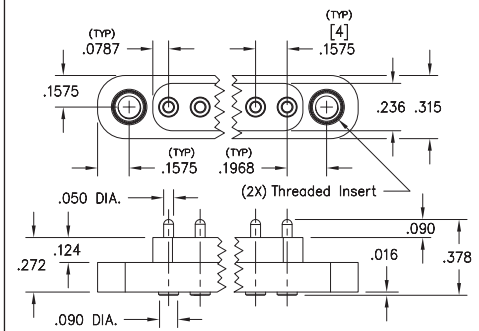


- Rugged Modular contacts for use on 4mm grid, supplied in 2 - 6 position connectors
- Precision-machined piston / base and gold-plated components assure up to 1,000,000 cycle life durability. Pistons have a .045" mid. stroke and a .090" max. stroke
- Mounting tabs provide a means for secure attachment to the PCB and may be specified with or without threaded inserts
- Low resistance, high current contacts are rated at 9 amps @ 10°C Temperature rise
- High temperature thermoplastic insulators are suitable for wave and reflow processes
- Series 858-22-00X-10-0X1101 connectors are designed for manual placement into .048±.003" Ø plated through-holes in the circuit board prior to soldering
- Series 858-22-00X-30-0X1101 and 858-22-00X-30-6X1101 connectors are designed for manual placement onto .100" Ø solder pads

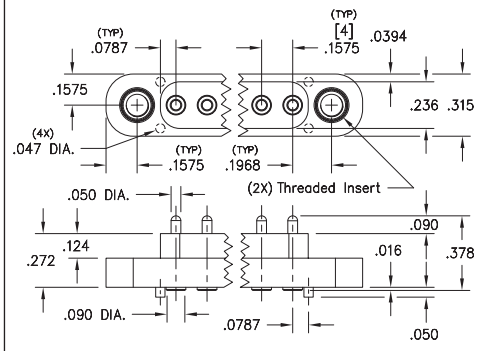
### Series 858-22-00X-10-0X1101



### Series 858-22-00X-30-0X1101



### Series 858-22-00X-30-6X1101



## ORDERING INFORMATION

### Series 858 (Through-Hole Mount)

858-22-00X-10-0X1101  
 Specify number of pins 2-6      No Threaded inserts = 0  
 (#4-40) Threaded inserts = 1

### Series 858 (Surface Mount)

858-22-00X-30-0X1101  
 Specify number of pins 2-6      No Threaded inserts = 0  
 (#4-40) Threaded inserts = 1

### Series 858 (Surface Mount with Alignment Pins)

858-22-00X-30-6X1101  
 Specify number of pins 2-6      No Threaded inserts = 0  
 (#4-40) Threaded inserts = 1

## Technical Specifications

### Materials:

Contact piston & base: Machined copper alloy plated 20µ" gold over 100µ" nickel  
 Spring: Stainless Steel 302  
 Insulator: High temperature thermoplastic, rated UL94 V-0

### Mechanical:

Spring force @ initial height: 35 grams  
 Spring force @ mid stroke: 120 grams  
 Durability: Up to 1,000,000 cycles

### Electrical:

Current rating: 9A @ 10° C Temp. rise above ambient (20°C)  
 Contact resistance: 20mΩ max.  
 Insulation resistance: 10,000MΩ min.

RoHS - 2  
 2011/65/EU



# Mouser Electronics

Authorized Distributor

Click to View Pricing, Inventory, Delivery & Lifecycle Information:

[Mill-Max:](#)

[858-22-003-10-011101](#) [858-22-004-30-011101](#) [858-22-003-30-011101](#) [858-10-002-30-012000](#) [858-10-005-30-012000](#) [858-10-004-30-012000](#)