

# RF TRANSFORMERS

Transformers for Wideband RF Applications



- Ⓢ RoHS peak reflow temperature rating: 245°C
- Ⓢ Miniature surface mount package
- Ⓢ Various impedance ratios available
- Ⓢ Excellent insertion loss
- Ⓢ Ideal for Balanced-to-Unbalanced applications
- Ⓢ Products from 0.05 to 1900 MHz bandwidth

### Electrical Specifications @ 25°C - Operating Temperature -40°C to +85°C

RoHS Compliant Part Number	Impedance Ratio <sup>1</sup> Pri:Sec	Turns Ratio Pri:Sec (±2%)	Bandwidth 2, 3 (MHz TYP)			Insertion Loss @ Midband (dB TYP)	Schematic	Primary Pins
			3 dB	2 dB	1 dB			
CX2041NL	1:1CT	1:1CT	0.05-450	0.75-300	0.10-200	0.60	B	4-6
CX2040LNL	1:1	1:1	1.5-500	2.5-400	5-350	0.90	A	4-6
CX2043LNL	1.5:1	√1.5:1	—	—	1-1000	0.20	D	3-6
CX2044LNL	1.5:1	√1.5:1	—	1.0-500	5-100	0.20	A	1-3
CX2045LNL	1:2CT	1:1.414CT	—	—	3-300	0.80	B	4-6
CX2047LNL	1:4CT	1:2CT	—	0.5-300	1.5-100	0.24	B	4-6
CX2049LNL	1:8CT	1:2.83CT	.25-500	0.3-400	0.5-200	1.16	B	4-6
CX2029LNL	36:1CT	6:1CT	0.05-21	—	—	0.40	B	4-6
CX2163LNL	1:1	1:1	800-1900	—	900-1400	1.50	E	1-3

### Electrical Specifications @ 25°C - Operating Temperature -40°C to +85°C

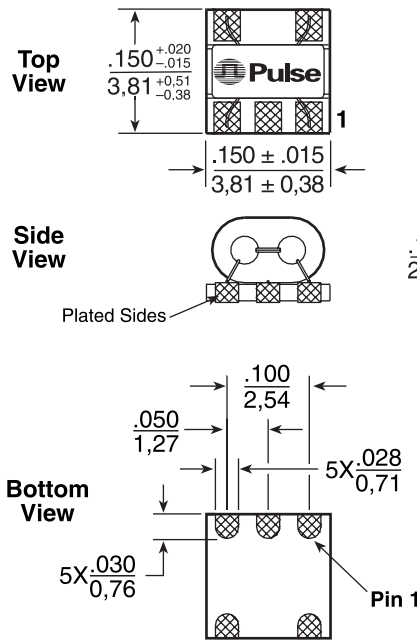
RoHS Compliant Part Number	Impedance Ratio <sup>1</sup> Pri:Sec	Turns Ratio Pri:Sec (±2%)	Bandwidth 2, 3 (MHz TYP)		Schematic	Primary Pins
			2 dB	1 dB		
CX2038LNL	75 Ω:75 Ω	1:1CT	Up to 1500	4.5-1000	C	4-6
CX2039LNL	50 Ω:50 Ω	1:1	Up to 1500	4.5-1000	C	4-6

Notes: Optional Tape & Reel packaging can be ordered by adding a "T" suffix to the part number, e.g. CX2041NLT, CX2163NLT.

## Mechanical

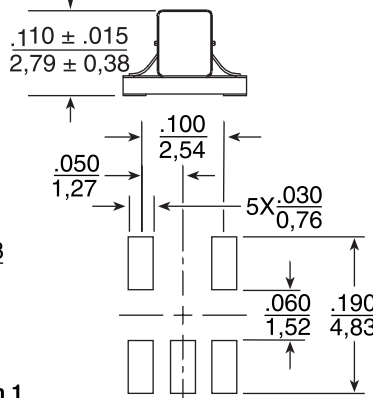
## Schematics

### RACKET-LITE

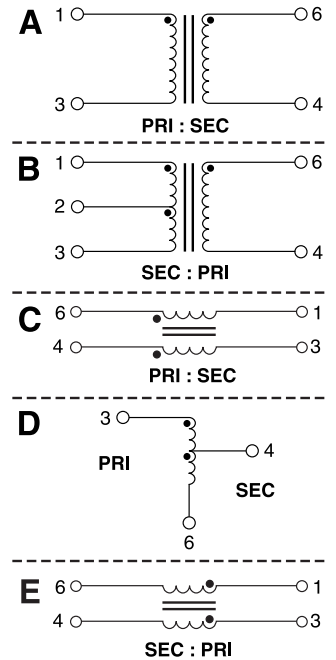


Tape & Reel . . . . . 2000 /reel  
 Tray . . . . . 100 /tray  
 Power Rating . . . 30 mA MAX; 0.25 W MAX

Dimensions:  $\frac{\text{Inches}}{\text{mm}}$   
 Unless otherwise specified, all tolerances are  $\pm \frac{.010}{0.25}$



**SUGGESTED PAD LAYOUT**



### Notes from Tables

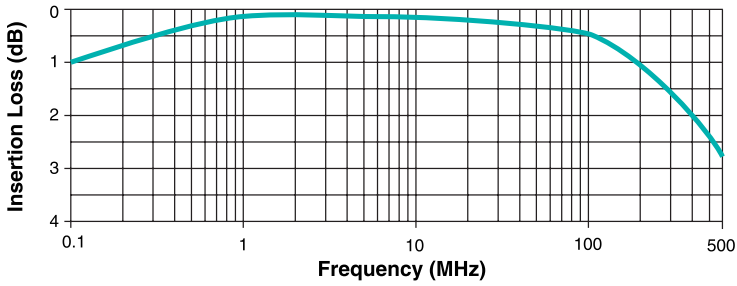
1. Impedance and turns ratios are specified primary:secondary. (CT=Center Tap).
2. Bandwidth is referenced to midband loss.
3. These transformers are verified to operate from -40°C to +85°C. Contact Pulse Applications Engineering for performance data.

### Application Notes

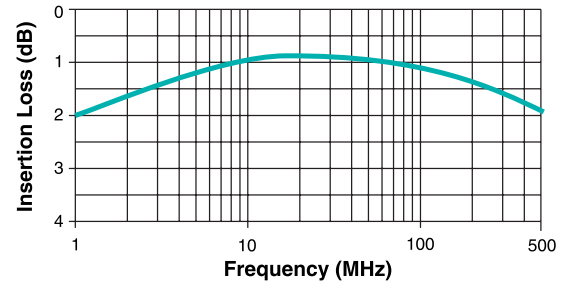
- A. Bandwidth specifications for **CX2040LNL** and **CX2047LNL** are for a 50 Ω system.
- B. Materials used in the products are UL94-V0 recognized. Products meet requirements of IEC 695-2-2 (Needle Flame Test).
- C. **CX2038LNL**, **CX2039LNL**, and **CX2043LNL** transformer configurations do not provide DC isolation between primary and secondary windings.
- D. For additional impedance ratios and frequency ranges, please contact Pulse Applications Engineering.
- E. Pick and place operation: smooth upper surface of device allows automatic pick and place.
- F. For availability of lead-free version of this product, please contact Pulse.

## Typical Insertion Loss @ 25°C

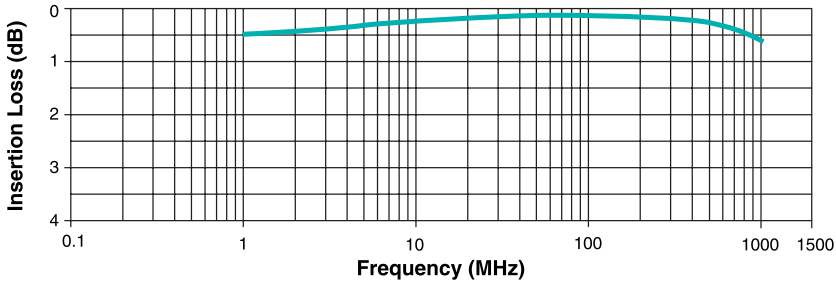
### CX2041NL



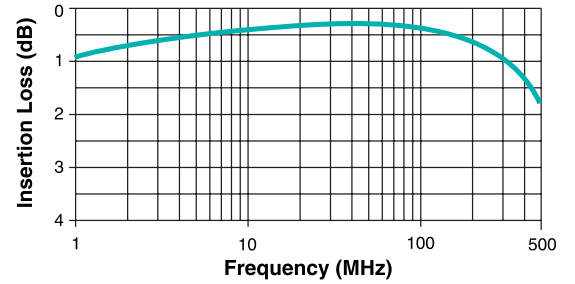
### CX2040LNL



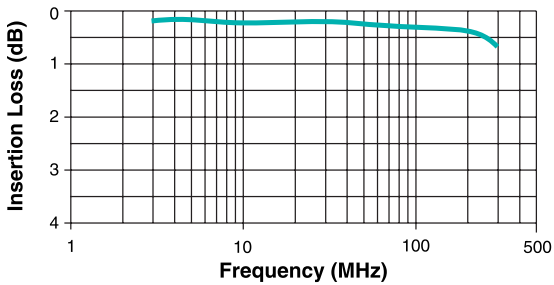
### CX2043LNL



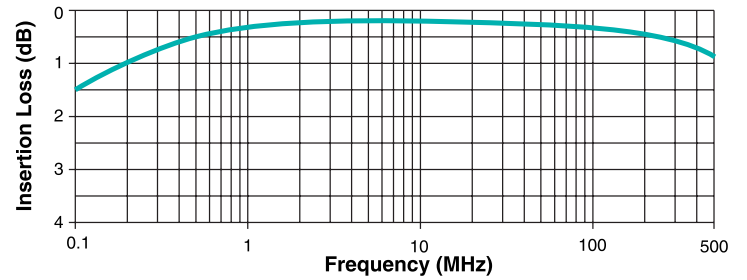
### CX2044LNL



### CX2045LNL



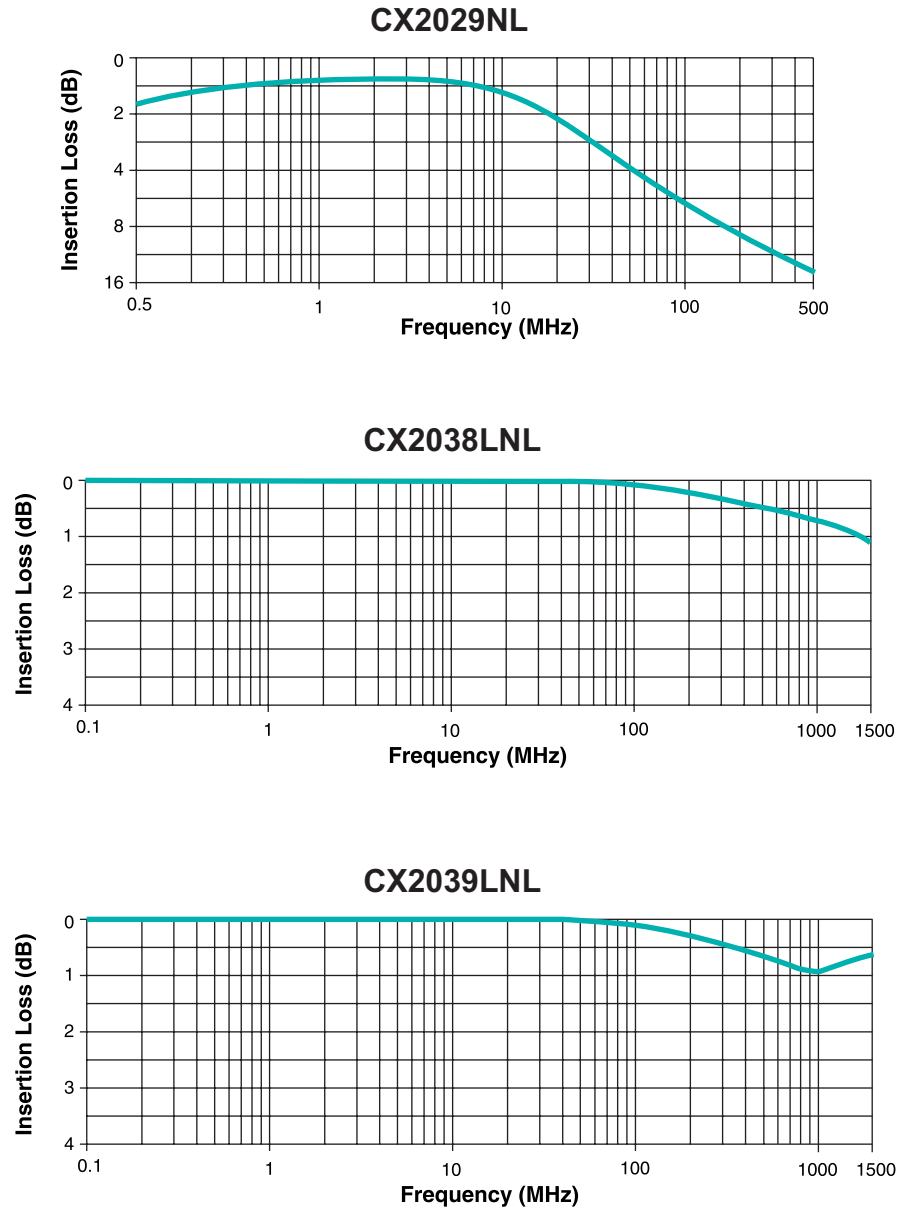
### CX2047LNL



# RF TRANSFORMERS

Transformers for Wideband RF Applications

## Typical Insertion Loss @ 25°C



### For More Information:

Americas - [prodinfonetworkamericas@pulseelectronics.com](mailto:prodinfonetworkamericas@pulseelectronics.com) | Europe - [prodinfonetworkemea@yageo.com](mailto:prodinfonetworkemea@yageo.com) | Asia - [prodinfonetworkapac@pulseelectronics.com](mailto:prodinfonetworkapac@pulseelectronics.com)

Performance warranty of products offered on this data sheet is limited to the parameters specified. Data is subject to change without notice. Other brand and product names mentioned herein may be trademarks or registered trademarks of their respective owners. © Copyright, 2024. Pulse Electronics, Inc. All rights reserved.