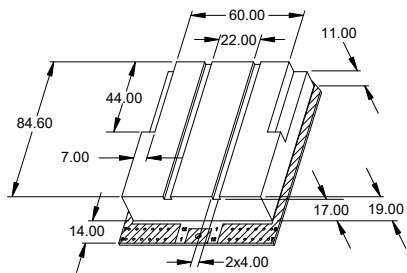
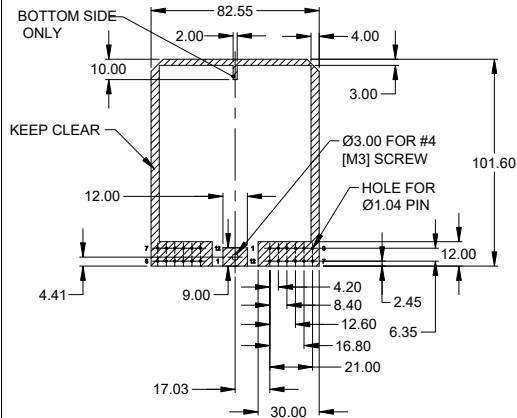
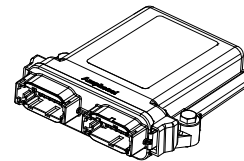
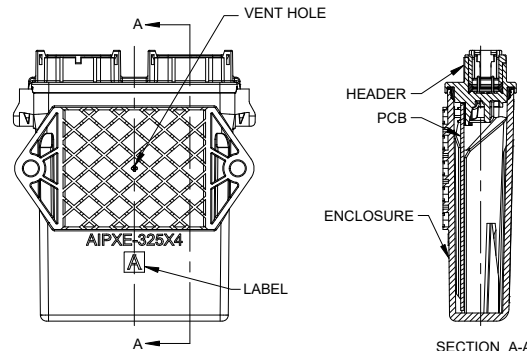
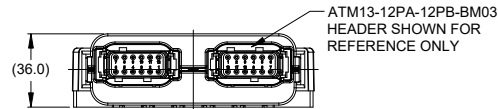
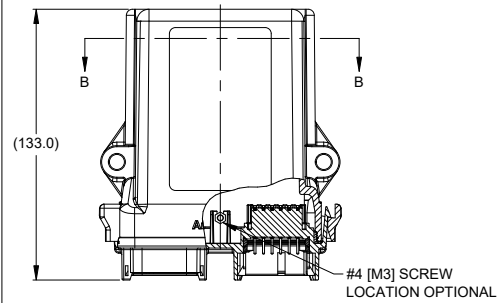
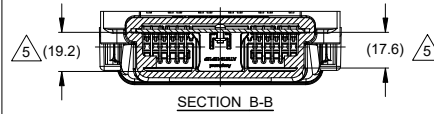


CIRCUIT BOARD HOLE LOCATIONS
AND KEEP CLEAR AREAS FOR
ATM13-12Px-12Px-BM01
ATM13-12Px-12Px-BM03
ALL DIMENSIONS REFERENCE
TOP VIEW



THREE DIMENSIONAL SPACE LIMIT
APPROXIMATE INTERNAL SPACE
FOR COMPONENT SPACE LAYOUT
MAX. COMPONENT HEIGHT UNDER BOARD 2.00 mm.

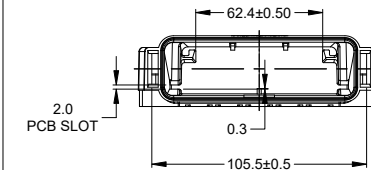
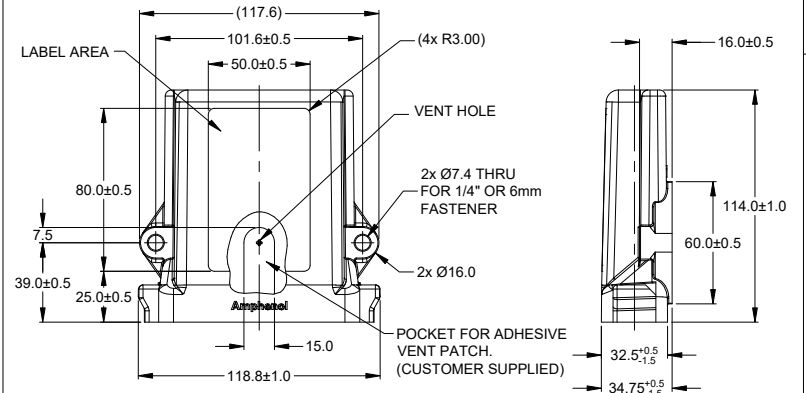
ASSEMBLED HEADER SHOWN FOR REFERENCE



3D VIEW
ATM13-12Px-12Px-BM01 AND
ATM13-12Px-12Px-BM03 HEADER AND MOUNTING
HARDWARE SHOWN FOR REFERENCE

REVISIONS

REV	ECO	DESCRIPTION	DATE	BY	APPR
A1	-	RELEASE NEW DRAWING	08APR19	SULLEN	TOMMY
A2	-	UPDATED DRAWING	10DEC9	SULLEN	TOMMY
A3	-	UPDATED SPACE LIMIT DIMENSION	15JAN20	SULLEN	TOMMY
A4	-	UPDATED DIMENSIONS	15NOV21	MILO	TOMMY
A5	-	REVISED PC MATERIAL NOTE	11JUN24	JHEAD	WS



PART NUMBER CHART

LABEL	VENT HOLE	PART NUMBER
A	WITH VENT HOLES	AIPXE-325X4A-E017
B	WITHOUT VENT HOLES	AIPXE-325X4B-E017

NOTES: UNLESS OTHERWISE SPECIFIED

- MATERIAL: CLEAR NATURAL POLYCARBONATE***
***PLEASE ENSURE YOUR MANUFACTURING PROCESS OR APPLICATION REQUIREMENTS DO NOT EXCEED THE LIMITS OF POLYCARBONATE.
- THIS ENCLOSURE MATES WITH ATM13-12Px-12Px-BM0* & ATM13-12Px-GR01 / R008 HEADER AND AIPXE-325XB-01. (X = A,B,C,D KEYS, * = ALL MODIFICATIONS)
- RoHS COMPLIANT
- ALL DIMENSIONS ARE FOR REFERENCE USE ONLY.

5. MAXIMUM COMPONENT HEIGHT DEPENDS ON LOCATION DUE TO PART DRAFT AND RIBS.

SEE PART NUMBER CHART	DESCRIPTION	ITEM
PART NUMBER		

MATERIALS LIST			REVISION			
QUANTITY	PART NUMBER	DESCRIPTION	SIZE	TYPE	DWG NO.	REVISION
UNLESS OTHERWISE SPECIFIED			B C- AIPXE-325X4x-E017 A5			
1) All dimensions are in metric (mm).			SCALE: NONE			
2) Tolerances are as follows:			SHEET 1 OF 1			
1) PL DEC ±0.30 Fractions ±1/64						
2) PL DEC ±0.15 Angles ±1°						
3) PL DEC ±0.08						
3) Note reference =						
MATERIAL SPECIFICATIONS:			SIGNATURES			
PROCESS SPECIFICATIONS:			DATE			
NEXT ASSY:			DRAWN: MILO DONG 15NOV21			
			CHECKED: SULLEN 16NOV21			
			ENGINEER: VITO LI 17NOV21			
			APPROVAL: TOMMY XIE 18NOV21			
			CUSTOMER:			
			THIS DRAWING IS SUPPLIED FOR INFORMATION ONLY. DESIGN FEATURES, SPECIFICATIONS AND PERFORMANCE DATA SHOWN HEREON ARE THE PROPERTY OF THE AMPHENOL CORPORATION. NO RIGHTS OF REPRODUCTION ARE IMPLIED. ALL DIMENSIONS ARE SUBJECT TO NORMAL MANUFACTURING VARIATIONS.			
			<p style="text-align: center;">Amphenol</p> <p style="text-align: center;">Sine Systems - www.amphenol-sine.com 44724 Morley Drive Clinton Township, MI 48036</p> <p style="text-align: center;">ARMOR IPX PCB ENCLOSURE, CLEAR, SHOWN WITH 24 PIN HEADER</p>			

TITLE: ARMOR IPX PCB ENCLOSURE, CLEAR, SHOWN WITH 24 PIN HEADER
DWG NO.: AIPXE-325X4-E017
REV: A5
SH: 1
OF: 1