

## Low-Power, 2-Channel, 24-Bit Analog Front-End for Biopotential Measurements

Check for Samples: [ADS1291](#), [ADS1292](#), [ADS1292R](#)

### FEATURES

- **Two Low-Noise PGAs and Two High-Resolution ADCs (ADS1292 and ADS1292R)**
- **Low Power: 335  $\mu$ W/channel**
- **Input-Referred Noise: 8  $\mu$ V<sub>PP</sub> (150-Hz BW, G = 6)**
- **Input Bias Current: 200 pA**
- **Data Rate: 125 SPS to 8 kSPS**
- **CMRR: –105 dB**
- **Programmable Gain: 1, 2, 3, 4, 6, 8, or 12**
- **Supplies: Unipolar or Bipolar**
  - Analog: 2.7 V to 5.25 V
  - Digital: 1.7 V to 3.6 V
- **Built-In Right Leg Drive Amplifier, Lead-Off Detection, Test Signals**
- **Integrated Respiration Impedance Measurement (ADS1292R)**
- **Built-In Oscillator and Reference**
- **Flexible Power-Down, Standby Mode**
- **SPI™-Compatible Serial Interface**
- **Operating Temperature Range: –40°C to +85°C**

### APPLICATIONS

- **Medical Instrumentation (ECG) including:**
  - Patient monitoring: Holter, event, stress, and vital signs including ECG, AED, and telemedicine
  - Sports and fitness (heart rate, respiration, and ECG)
- **High-Precision, Simultaneous, Multichannel Signal Acquisition**

### DESCRIPTION

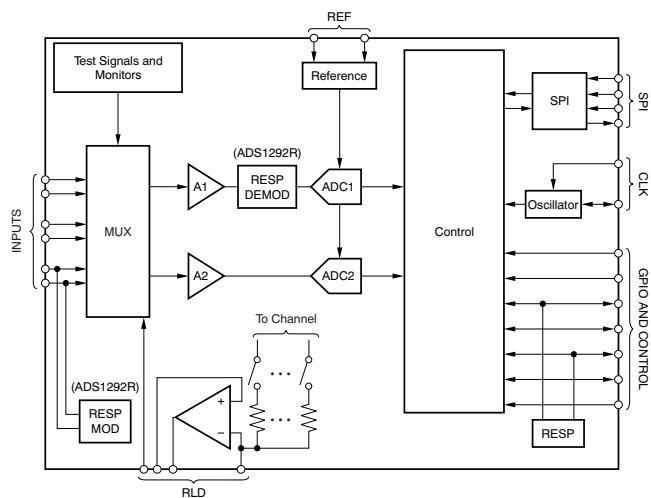
The ADS1291, ADS1292, and ADS1292R are multichannel, simultaneous sampling, 24-bit, delta-sigma ( $\Delta\Sigma$ ) analog-to-digital converters (ADCs) with a built-in programmable gain amplifier (PGA), internal reference, and an onboard oscillator.

The ADS1291, ADS1292, and ADS1292R incorporate all features commonly required in portable, low-power medical electrocardiogram (ECG), sports, and fitness applications.

With high levels of integration and exceptional performance, the ADS1291, ADS1292, and ADS1292R enable the creation of scalable medical instrumentation systems at significantly reduced size, power, and overall cost.

The ADS1291, ADS1292, and ADS1292R have a flexible input multiplexer per channel that can be independently connected to the internally-generated signals for test, temperature, and lead-off detection. Additionally, any configuration of input channels can be selected for derivation of the right leg drive (RLD) output signal. The ADS1291, ADS1292, and ADS1292R operate at data rates up to 8 kSPS. Lead-off detection can be implemented internal to the device, using the device internal excitation current sink or source. The ADS1292R version includes a fully integrated respiration impedance measurement function.

The devices are packaged in a 5-mm × 5-mm, 32-pin thin quad flat pack (TQFP) and a 4-mm × 4-mm, 32-pin quad flat pack with no leads (QFN). Operating temperature is specified from –40°C to +85°C.



Please be aware that an important notice concerning availability, standard warranty, and use in critical applications of Texas Instruments semiconductor products and disclaimers thereto appears at the end of this data sheet.

SPI is a trademark of Motorola.

All other trademarks are the property of their respective owners.



This integrated circuit can be damaged by ESD. Texas Instruments recommends that all integrated circuits be handled with appropriate precautions. Failure to observe proper handling and installation procedures can cause damage.

ESD damage can range from subtle performance degradation to complete device failure. Precision integrated circuits may be more susceptible to damage because very small parametric changes could cause the device not to meet its published specifications.

### FAMILY AND ORDERING INFORMATION<sup>(1)</sup>

PRODUCT	PACKAGE OPTION	PACKAGE DESIGNATOR	NUMBER OF CHANNELS	ADC RESOLUTION	MAXIMUM SAMPLE RATE (kSPS)	OPERATING TEMPERATURE RANGE	RESPIRATION CIRCUITRY
ADS1291I	TQFP	PBS	1	24	8	–40°C to +85°C	No
	QFN	RSM	1	24	8	–40°C to +85°C	No
ADS1292I	TQFP	PBS	2	24	8	–40°C to +85°C	No
	QFN	RSM	2	24	8	–40°C to +85°C	No
ADS1292RI	TQFP	PBS	2	24	8	–40°C to +85°C	Yes
	QFN	RSM	2	24	8	–40°C to +85°C	Yes

(1) For the most current package and ordering information, see the Package Option Addendum at the end of this document, or visit the device product folder at [www.ti.com](http://www.ti.com).

### ABSOLUTE MAXIMUM RATINGS<sup>(1)</sup>

Over operating free-air temperature range, unless otherwise noted.

	VALUE	UNIT
AVDD to AVSS	–0.3 to +5.5	V
DVDD to DGND	–0.3 to +3.9	V
AVSS to DGND	–3 to +0.2	V
Analog input to AVSS	AVSS – 0.3 to AVDD + 0.3	V
Digital input to DVDD	DVSS – 0.3 to DVDD + 0.3	V
Input current to any pin except supply pins	±10	mA
Input current	Momentary	±100
	Continuous	±10
Operating temperature range	–40 to +85	°C
Storage temperature range	–60 to +150	°C
Maximum junction temperature (T <sub>J</sub> )	+150	°C
ESD ratings	Human body model (HBM) JEDEC standard 22, test method A114-C.01, all pins	±1000
	Charged device model (CDM) JEDEC standard 22, test method C101, all pins	±500

(1) Stresses above these ratings may cause permanent damage. Exposure to absolute maximum conditions for extended periods may degrade device reliability. These are stress ratings only, and functional operation of the device at these or any other conditions beyond those specified is not implied.

## ELECTRICAL CHARACTERISTICS

Minimum and maximum specifications apply from  $-40^{\circ}\text{C}$  to  $+85^{\circ}\text{C}$ . Typical specifications are at  $+25^{\circ}\text{C}$ . All specifications are at  $\text{DVDD} = 1.8\text{ V}$ ,  $\text{AVDD} - \text{AVSS} = 3\text{ V}^{(1)}$ ,  $V_{\text{REF}} = 2.42\text{ V}$ , external  $f_{\text{CLK}} = 512\text{ kHz}$ , data rate = 500 SPS,  $C_{\text{FILTER}} = 4.7\text{ nF}^{(2)}$ , and gain = 6, unless otherwise noted.

PARAMETER	TEST CONDITIONS	ADS1291, ADS1292, ADS1292R			UNIT	
		MIN	TYP	MAX		
<b>ANALOG INPUTS</b>						
Full-scale differential input voltage (AINP – AINN)		$\pm V_{\text{REF}} / \text{gain}$			V	
Input common-mode range		See the <a href="#">Input Common-Mode Range</a> subsection of the <a href="#">PGA Settings and Input Range</a> section				
Input capacitance		20			pF	
Input bias current (PGA chop = 8 kHz)	$T_A = +25^{\circ}\text{C}$ , input = 1.5 V				$\pm 200$ pA	
	$T_A = -40^{\circ}\text{C}$ to $+85^{\circ}\text{C}$ , input = 1.5 V				$\pm 1$ nA	
	Chop rates other than 8 kHz	See <a href="#">Pace Detect</a> section				
DC input impedance	No pull-up or pull-down current source	1000			M $\Omega$	
	Current source lead-off detection (nA), $\text{AVSS} + 0.3\text{ V} < \text{AIN} < \text{AVDD} - 0.3\text{ V}$	500			M $\Omega$	
	Current source lead-off detection ( $\mu\text{A}$ ), $\text{AVSS} + 0.6\text{ V} < \text{AIN} < \text{AVDD} - 0.6\text{ V}$	100			M $\Omega$	
<b>PGA PERFORMANCE</b>						
Gain settings		1, 2, 3, 4, 6, 8, 12				
Bandwidth	With a 4.7-nF capacitor on PGA output (see <a href="#">PGA Settings and Input Range</a> section for details)	8.5			kHz	
<b>ADC PERFORMANCE</b>						
Resolution		24			Bits	
Data rate	$f_{\text{CLK}} = 512\text{ kHz}$	125	8000		SPS	
<b>CHANNEL PERFORMANCE (DC Performance)</b>						
Input-referred noise	Gain = 6 <sup>(3)</sup> , 10 seconds of data	8			$\mu\text{V}_{\text{PP}}$	
	Gain = 6, 256 points, 0.5 seconds of data	8	11		$\mu\text{V}_{\text{PP}}$	
	Gain settings other than 6, data rates other than 500 SPS	See <a href="#">Noise Measurements</a> section				
Integral nonlinearity	Full-scale with gain = 6, best fit	2			ppm	
Offset error		$\pm 100$			$\mu\text{V}$	
Offset error drift		2			$\mu\text{V}/^{\circ}\text{C}$	
Offset error with calibration		15			$\mu\text{V}$	
Gain error	Excluding voltage reference error	$\pm 0.1$	$\pm 0.2$		% of FS	
Gain drift	Excluding voltage reference drift	2			ppm/ $^{\circ}\text{C}$	
Gain match between channels		0.2			% of FS	
<b>CHANNEL PERFORMANCE (AC performance)</b>						
CMRR	Common-mode rejection ratio	$f_{\text{CM}} = 50\text{ Hz}$ and $60\text{ Hz}^{(4)}$	-105	-120		dB
PSRR	Power-supply rejection ratio	$f_{\text{PS}} = 50\text{ Hz}$ and $60\text{ Hz}$	90			dB
	Crosstalk	$f_{\text{IN}} = 50\text{ Hz}$ and $60\text{ Hz}$	-120			dB
SNR	Signal-to-noise ratio	$f_{\text{IN}} = 10\text{ Hz}$ input, gain = 6	107			dB
THD	Total harmonic distortion	10 Hz, $-0.5\text{ dBFS}$ , $C_{\text{FILTER}} = 4.7\text{ nF}$	-104			dB
		100 Hz, $-0.5\text{ dBFS}$ , $C_{\text{FILTER}} = 4.7\text{ nF}$	-95			dB
		ADS1292R channel 1, 10 Hz, $-0.5\text{ dBFS}$ , $C_{\text{FILTER}} = 47\text{ nF}$	-82			dB

(1) Performance is applicable for 5-V operation as well. Production testing for limits is performed at 3 V.

(2)  $C_{\text{FILTER}}$  is the capacitor across the PGA outputs; see the [PGA Settings and Input Range](#) section for details.

(3) Noise data measured in a 10-second interval. Test not performed in production. Input-referred noise is calculated with input shorted (without electrode resistance) over a 10-second interval.

(4) CMRR is measured with a common-mode signal of  $\text{AVSS} + 0.3\text{ V}$  to  $\text{AVDD} - 0.3\text{ V}$ . The values indicated are the minimum of the two channels.

## ELECTRICAL CHARACTERISTICS (continued)

Minimum and maximum specifications apply from  $-40^{\circ}\text{C}$  to  $+85^{\circ}\text{C}$ . Typical specifications are at  $+25^{\circ}\text{C}$ . All specifications are at  $\text{DVDD} = 1.8\text{ V}$ ,  $\text{AVDD} - \text{AVSS} = 3\text{ V}^{(1)}$ ,  $\text{V}_{\text{REF}} = 2.42\text{ V}$ , external  $f_{\text{CLK}} = 512\text{ kHz}$ , data rate = 500 SPS,  $\text{C}_{\text{FILTER}} = 4.7\text{ nF}^{(2)}$ , and gain = 6, unless otherwise noted.

PARAMETER	TEST CONDITIONS	ADS1291, ADS1292, ADS1292R			UNIT
		MIN	TYP	MAX	
<b>DIGITAL FILTER</b>					
-3-dB bandwidth			$0.262 f_{\text{DR}}$		Hz
Digital filter settling	Full setting		4		Conversions
<b>RIGHT LEG DRIVE (RLD) AMPLIFIER</b>					
RLD integrated noise	$\text{BW} = 150\text{ Hz}$		1.4		$\mu\text{V}_{\text{RMS}}$
GBP Gain bandwidth product	$50\text{ k}\Omega \parallel 10\text{ pF}$ load, gain = 1		100		kHz
SR Slew rate	$50\text{ k}\Omega \parallel 10\text{ pF}$ load, gain = 1		0.07		$\text{V}/\mu\text{s}$
THD Total harmonic distortion	$f_{\text{IN}} = 100\text{ Hz}$ , gain = 1		-85		dB
CMIR Common-mode input range		$\text{AVSS} + 0.3$		$\text{AVDD} - 0.3$	V
Common-mode resistor matching	Internal 200-k $\Omega$ resistor matching		0.1		%
$I_{\text{SC}}$ Short-circuit current			1.1		mA
Quiescent power consumption			5		$\mu\text{A}$
<b>LEAD-OFF DETECT</b>					
Frequency	See <a href="#">Register Map</a> section for settings		$0, f_{\text{DR}} / 4$		kHz
Current	$\text{ILEAD\_OFF}[1:0] = 00$		6		nA
	$\text{ILEAD\_OFF}[1:0] = 01$		22		nA
	$\text{ILEAD\_OFF}[1:0] = 10$		6		$\mu\text{A}$
	$\text{ILEAD\_OFF}[1:0] = 11$		22		$\mu\text{A}$
Current accuracy			$\pm 10$		%
Comparator threshold accuracy			$\pm 10$		mV
<b>RESPIRATION (ADS1292R)</b>					
Frequency	Internal source		32, 64		kHz
	External source	32		64	kHz
Phase shift	See <a href="#">Register Map</a> section for settings	0	112.5	168.75	Degrees
Impedance range	$I_{\text{RESP}} = 30\text{ }\mu\text{A}$		2000	10,000	$\Omega$
Impedance measurement noise	0.05-Hz to 2-Hz brick wall filter, 32-kHz modulation clock, phase = 112.5, using $I_{\text{RESP}} = 30\text{ }\mu\text{A}$ with 2-k $\Omega$ baseline load, gain = 4		40		$\text{m}\Omega_{\text{PP}}$
Maximum modulator current	Using Internal reference		100		$\mu\text{A}$
<b>EXTERNAL REFERENCE</b>					
Reference input voltage	3-V supply $\text{V}_{\text{REF}} = (\text{VREFP} - \text{VREFN})$	2	2.5	$\text{VDD} - 0.3$	V
	5-V supply $\text{V}_{\text{REF}} = (\text{VREFP} - \text{VREFN})$	2	4	$\text{VDD} - 0.3$	V
VREFN Negative input			AVSS		V
VREFP Positive input			$\text{AVSS} + 2.5$		V
Input impedance			120		k $\Omega$

## ELECTRICAL CHARACTERISTICS (continued)

Minimum and maximum specifications apply from  $-40^{\circ}\text{C}$  to  $+85^{\circ}\text{C}$ . Typical specifications are at  $+25^{\circ}\text{C}$ . All specifications are at  $\text{DVDD} = 1.8\text{ V}$ ,  $\text{AVDD} - \text{AVSS} = 3\text{ V}^{(1)}$ ,  $V_{\text{REF}} = 2.42\text{ V}$ , external  $f_{\text{CLK}} = 512\text{ kHz}$ , data rate = 500 SPS,  $C_{\text{FILTER}} = 4.7\text{ nF}^{(2)}$ , and gain = 6, unless otherwise noted.

PARAMETER		TEST CONDITIONS	ADS1291, ADS1292, ADS1292R			UNIT
			MIN	TYP	MAX	
<b>INTERNAL REFERENCE</b>						
Output voltage	Register bit CONFIG2.VREF_4V = 0		2.42			V
	Register bit CONFIG2.VREF_4V = 1		4.033			V
Output current drive	Available for external use		100			$\mu\text{A}$
$V_{\text{REF}}$ accuracy			$\pm 0.5$			%
Internal reference drift	$-40^{\circ}\text{C} \leq T_A \leq +85^{\circ}\text{C}$		45			ppm/ $^{\circ}\text{C}$
Start-up time	Settled to 0.2% with 10- $\mu\text{F}$ capacitor on VREFP pin		100			ms
Quiescent current consumption			20			$\mu\text{A}$
<b>SYSTEM MONITORS</b>						
Analog supply reading error			1			%
Digital supply reading error			1			%
Device wake up	From power-supply ramp after power-on reset (POR) to DRDY low		32			ms
	From power-down mode to $\overline{\text{DRDY}}$ low		10			ms
	From STANDBY mode to $\overline{\text{DRDY}}$ low		10			ms
VCAP1 settling time		1% accuracy	0.5			s
Temperature sensor reading	Voltage	$T_A = +25^{\circ}\text{C}$	145			mV
	Coefficient		490			$\mu\text{V}/^{\circ}\text{C}$
<b>TEST SIGNAL</b>						
Signal frequency		See <a href="#">Register Map</a> section for settings	At dc and 1 Hz			Hz
Signal voltage		See <a href="#">Register Map</a> section for settings	$\pm 1$			mV
Accuracy			$\pm 2$			%
<b>CLOCK</b>						
Internal oscillator clock frequency		Nominal frequency	512			kHz
Internal clock accuracy	$T_A = +25^{\circ}\text{C}$		$\pm 0.5$			%
	$-40^{\circ}\text{C} \leq T_A \leq +85^{\circ}\text{C}$		$\pm 1.5$			%
Internal oscillator start-up time			32			$\mu\text{s}$
Internal oscillator power consumption			30			$\mu\text{W}$
External clock input frequency	CLKSEL pin = 0, CLK_DIV = 0		485	512	562.5	kHz
	CLKSEL pin = 0, CLK_DIV = 1		1.94	2.048	2.25	MHz
<b>DIGITAL INPUT/OUTPUT</b>						
$V_{\text{IH}}$	Logic level	DVDD = 1.8 V to 3.6 V	0.8 DVDD	DVDD + 0.1		V
$V_{\text{IL}}$		DVDD = 1.8 V to 3.6 V	-0.1	0.2 DVDD		V
$V_{\text{IH}}$		DVDD = 1.7 V to 1.8 V	DVDD - 0.2		V	
$V_{\text{IL}}$		DVDD = 1.7 V to 1.8 V			0.2	V
$V_{\text{OH}}$		DVDD = 1.7 V to 3.6 V	$I_{\text{OH}} = -500\ \mu\text{A}$	0.9 DVDD		V
$V_{\text{OL}}$		DVDD = 1.7 V to 3.6 V	$I_{\text{OL}} = +500\ \mu\text{A}$	0.1 DVDD		V
$I_{\text{IN}}$		Input current	$0\text{ V} < V_{\text{DigitalInput}} < \text{DVDD}$	-10	+10	
<b>POWER-SUPPLY REQUIREMENTS</b>						
AVDD	Analog supply	AVDD - AVSS	2.7	3	5.25	V
DVDD	Digital supply	DVDD - DGND	1.7	1.8	3.6	V
AVDD - DVDD			-2.1	3.6		V

## ELECTRICAL CHARACTERISTICS (continued)

Minimum and maximum specifications apply from  $-40^{\circ}\text{C}$  to  $+85^{\circ}\text{C}$ . Typical specifications are at  $+25^{\circ}\text{C}$ . All specifications are at  $\text{DVDD} = 1.8\text{ V}$ ,  $\text{AVDD} - \text{AVSS} = 3\text{ V}^{(1)}$ ,  $V_{\text{REF}} = 2.42\text{ V}$ , external  $f_{\text{CLK}} = 512\text{ kHz}$ , data rate = 500 SPS,  $C_{\text{FILTER}} = 4.7\text{ nF}^{(2)}$ , and gain = 6, unless otherwise noted.

PARAMETER		TEST CONDITIONS	ADS1291, ADS1292, ADS1292R			UNIT
			MIN	TYP	MAX	
<b>SUPPLY CURRENT (RLD Amplifier Turned Off)</b>						
$I_{\text{AVDD}}$	ADS1292 and ADS1292R	AVDD – AVSS = 3 V		205		$\mu\text{A}$
		AVDD – AVSS = 5 V		250		$\mu\text{A}$
$I_{\text{DVDD}}$	ADS1292 and ADS1292R	DVDD = 3.3 V		75		$\mu\text{A}$
		DVDD = 1.8 V		32		$\mu\text{A}$
<b>POWER DISSIPATION (Analog Supply = 3 V, RLD Amplifier Turned Off)</b>						
Quiescent power dissipation	ADS1292 and ADS1292R	Normal mode		670	740	$\mu\text{W}$
		Standby mode		160		$\mu\text{W}$
	ADS1291	Normal mode		450	495	$\mu\text{W}$
		Standby mode		160		$\mu\text{W}$
Quiescent power dissipation, per channel	ADS1292R	Normal mode		335		$\mu\text{W}$
	ADS1292	Normal mode		335		$\mu\text{W}$
	ADS1291	Normal mode		450		$\mu\text{W}$
<b>POWER DISSIPATION (Analog Supply = 5 V, RLD Amplifier Turned Off)</b>						
Quiescent power dissipation	ADS1292 and ADS1292R	Normal mode		1300		$\mu\text{W}$
		Standby mode		340		$\mu\text{W}$
	ADS1291	Normal mode		950		$\mu\text{W}$
		Standby mode		340		$\mu\text{W}$
Quiescent power dissipation, per channel	ADS1292R	Normal mode		670		$\mu\text{W}$
	ADS1292	Normal mode		670		$\mu\text{W}$
	ADS1291	Normal mode		860		$\mu\text{W}$
<b>POWER DISSIPATION IN POWER-DOWN MODE</b>						
Analog supply = 3 V	DVDD = 1.8 V			1		$\mu\text{W}$
	DVDD = 3.3 V			4		$\mu\text{W}$
Analog supply = 5 V	DVDD = 1.8 V			5		$\mu\text{W}$
	DVDD = 3.3 V			10		$\mu\text{W}$
<b>TEMPERATURE</b>						
Specified temperature range				-40	+85	$^{\circ}\text{C}$
Operating temperature range				-40	+85	$^{\circ}\text{C}$
Storage temperature range				-60	+150	$^{\circ}\text{C}$

## THERMAL INFORMATION

THERMAL METRIC <sup>(1)</sup>		ADS1291, ADS1292, ADS1292R		UNITS
		PBS (TQFP)	RSM (QFN)	
		32 PINS	32 PINS	
$\theta_{\text{JA}}$	Junction-to-ambient thermal resistance	68.4	33.7	$^{\circ}\text{C}/\text{W}$
$\theta_{\text{JCTop}}$	Junction-to-case (top) thermal resistance	25.9	36.4	
$\theta_{\text{JB}}$	Junction-to-board thermal resistance	30.5	25.2	
$\Psi_{\text{JT}}$	Junction-to-top characterization parameter	0.5	0.2	
$\Psi_{\text{JB}}$	Junction-to-board characterization parameter	24.3	7.4	
$\theta_{\text{JCbott}}$	Junction-to-case (bottom) thermal resistance	n/a	2.2	

(1) For more information about traditional and new thermal metrics, see the *IC Package Thermal Metrics* application report, [SPRA953](#).

## PARAMETER MEASUREMENT INFORMATION

### NOISE MEASUREMENTS

The ADS1291, ADS1292, and ADS1292R noise performance can be optimized by adjusting the data rate and PGA setting. As the averaging is increased by reducing the data rate, the noise drops correspondingly. Increasing the programmable gain amplifier (PGA) value reduces the input-referred noise, which is particularly useful when measuring low-level biopotential signals. [Table 1](#) through [Table 8](#) summarize the ADS1291, ADS1292, and ADS1292R noise performance. The data are representative of typical noise performance at  $T_A = +25^\circ\text{C}$ . The data shown are the result of averaging the readings from multiple devices and are measured with the inputs shorted together. For the shown data rates, the ratio is approximately 6.6.

[Table 1](#) through [Table 8](#) show measurements taken with an internal reference. The data are also representative of the ADS1291, ADS1292, and ADS1292R noise performance when using a low-noise external reference such as the [REF5025](#).

In [Table 1](#) through [Table 8](#),  $\mu\text{V}_{\text{RMS}}$  and  $\mu\text{V}_{\text{PP}}$  are measured values. SNR, noise-free bits, ENOB, and dynamic range are calculated with [Equation 1](#), [Equation 2](#), and [Equation 3](#).

$$\text{SNR} = \text{ENOB} \times 6.02 \quad (1)$$

$$\text{Noise-Free Bits} = 2 \log \left[ \frac{2 V_{\text{REF}}}{\text{Gain} \times \text{Peak-to-Peak Noise}} \right] \quad (2)$$

$$\text{ENOB} = 2 \log \left[ \frac{V_{\text{REF}}}{\sqrt{2} \times \text{Gain} \times \text{RMS Noise}} \right] \quad (3)$$

**Table 1. Input-Referred Noise ( $\mu\text{V}_{\text{RMS}}$  /  $\mu\text{V}_{\text{PP}}$ ) 3-V Analog Supply and 2.42-V Reference<sup>(1)</sup>**

DR BITS OF CONFIG1 REGISTER	OUTPUT DATA RATE (SPS)	-3-dB BANDWIDTH (Hz)	PGA GAIN = 1					PGA GAIN = 2				
			$\mu\text{V}_{\text{RMS}}$	$\mu\text{V}_{\text{PP}}$	SNR	NOISE-FREE BITS	ENOB	$\mu\text{V}_{\text{RMS}}$	$\mu\text{V}_{\text{PP}}$	SNR	NOISE-FREE BITS	ENOB
000	125	32.75	1.5	10.3	121.0	18.83	20.10	0.8	5.6	120.0	18.71	19.94
001	250	65.5	2.2	14.4	117.8	18.34	19.58	1.2	7.5	117.1	18.29	19.46
010	500	131	3.0	18.9	115.1	17.95	19.11	1.7	10.9	113.9	17.75	18.91
011	1000	262	4.6	30.8	111.3	17.25	18.49	2.5	15.6	110.6	17.23	18.37
100	2000	524	10.1	99	104.5	15.57	17.36	5.3	48	104.0	15.60	17.28
101	4000	1048	55.2	563	89.7	13.06	14.91	26.0	265	90.3	13.14	15.00
110	8000	2096	287.3	2930	75.4	10.68	12.53	144.1	1470	75.4	10.67	12.52
111	NA	NA	—	—	—	—	—	—	—	—	—	—

(1) At least 1000 consecutive readings were used to calculate the peak-to-peak noise values in this table.

**Table 2. Input-Referred Noise ( $\mu\text{V}_{\text{RMS}}$  /  $\mu\text{V}_{\text{PP}}$ ) 3-V Analog Supply and 2.42-V Reference<sup>(1)</sup>**

DR BITS OF CONFIG1 REGISTER	OUTPUT DATA RATE (SPS)	-3-dB BANDWIDTH (Hz)	PGA GAIN = 3					PGA GAIN = 4				
			$\mu\text{V}_{\text{RMS}}$	$\mu\text{V}_{\text{PP}}$	SNR	NOISE-FREE BITS	ENOB	$\mu\text{V}_{\text{RMS}}$	$\mu\text{V}_{\text{PP}}$	SNR	NOISE-FREE BITS	ENOB
000	125	32.75	0.6	4.1	119.2	18.58	19.80	0.5	3.4	117.9	18.42	19.58
001	250	65.5	0.9	5.5	115.9	18.15	19.26	0.8	5.0	114.8	17.88	19.07
010	500	131	1.3	7.7	113.0	17.67	18.77	1.1	6.6	111.9	17.47	18.59
011	1000	262	1.9	12.0	109.5	17.02	18.19	1.6	10.3	108.7	16.83	18.06
100	2000	524	3.7	31	103.7	15.65	17.23	2.9	23	103.2	15.69	17.14
101	4000	1048	17.0	173	90.5	13.18	15.03	12.2	124	90.8	13.24	15.09
110	8000	2096	91.9	937	75.8	10.74	12.59	66.8	681	76.1	10.78	12.63
111	NA	NA	—	—	—	—	—	—	—	—	—	—

(1) At least 1000 consecutive readings were used to calculate the peak-to-peak noise values in this table.

**Table 3. Input-Referred Noise ( $\mu V_{RMS} / \mu V_{PP}$ ) 3-V Analog Supply and 2.42-V Reference<sup>(1)</sup>**

DR BITS OF CONFIG1 REGISTER	OUTPUT DATA RATE (SPS)	-3-dB BANDWIDTH (Hz)	PGA GAIN = 6					PGA GAIN = 8				
			$\mu V_{RMS}$	$\mu V_{PP}$	SNR	NOISE-FREE BITS	ENOB	$\mu V_{RMS}$	$\mu V_{PP}$	SNR	NOISE-FREE BITS	ENOB
000	125	32.75	0.5	3.0	115.9	18.04	19.26	0.4	2.6	114.0	17.82	18.94
001	250	65.5	0.7	4.1	112.8	17.58	18.73	0.6	3.9	111.0	17.22	18.44
010	500	131	0.9	5.6	109.9	17.14	18.25	0.8	5.5	108.0	16.75	17.93
011	1000	262	1.3	8.7	106.8	16.49	17.73	1.2	7.6	104.9	16.26	17.42
100	2000	524	2.2	16	102.1	15.64	16.96	2.0	14	100.7	15.36	16.72
101	4000	1048	7.5	77	91.5	13.34	15.19	5.5	56	91.7	13.39	15.24
110	8000	2096	42.7	436	76.4	10.84	12.69	31.3	319	76.6	10.88	12.73
111	NA	NA	—	—	—	—	—	—	—	—	—	—

(1) At least 1000 consecutive readings were used to calculate the peak-to-peak noise values in this table.

**Table 4. Input-Referred Noise ( $\mu V_{RMS} / \mu V_{PP}$ ) 3-V Analog Supply and 2.42-V Reference<sup>(1)</sup>**

DR BITS OF CONFIG1 REGISTER	OUTPUT DATA RATE (SPS)	-3-dB BANDWIDTH (Hz)	PGA GAIN = 12				
			$\mu V_{RMS}$	$\mu V_{PP}$	SNR	NOISE-FREE BITS	ENOB
000	125	32.75	0.4	2.5	111.3	17.31	18.48
001	250	65.5	0.5	3.5	108.4	16.81	18.01
010	500	131	0.8	5.0	105.0	16.29	17.44
011	1000	262	1.1	6.9	102.1	15.82	16.97
100	2000	524	1.7	11	98.6	15.21	16.38
101	4000	1048	3.5	36	92.0	13.44	15.29
110	8000	2096	20.1	205	76.9	10.93	12.78
111	NA	NA	—	—	—	—	—

(1) At least 1000 consecutive readings were used to calculate the peak-to-peak noise values in this table.

**Table 5. Input-Referred Noise ( $\mu V_{RMS} / \mu V_{PP}$ ) 5-V Analog Supply and 4.033-V Reference<sup>(1)</sup>**

DR BITS OF CONFIG1 REGISTER	OUTPUT DATA RATE (SPS)	-3-dB BANDWIDTH (Hz)	PGA GAIN = 1					PGA GAIN = 2				
			$\mu V_{RMS}$	$\mu V_{PP}$	SNR	NOISE-FREE BITS	ENOB	$\mu V_{RMS}$	$\mu V_{PP}$	SNR	NOISE-FREE BITS	ENOB
000	125	32.75	1.6	10.2	124.9	19.58	20.75	0.9	5.4	124.3	19.50	20.65
001	250	65.5	2.2	13.3	122.3	19.20	20.31	1.2	8.1	121.3	18.91	20.15
010	500	131	3.1	18.9	119.3	18.69	19.82	1.7	10.6	118.2	18.52	19.63
011	1000	262	4.9	31.9	115.2	17.94	19.14	2.7	17.9	114.4	17.77	19.00
100	2000	524	15.5	167	105.2	15.55	17.48	7.5	80	105.5	15.62	17.53
101	4000	1048	89.6	959	90.0	13.03	14.95	45.0	481	89.9	13.02	14.94
110	8000	2096	460.1	4923	75.8	10.67	12.59	229.0	2450	75.8	10.67	12.59
111	NA	NA	—	—	—	—	—	—	—	—	—	—

(1) At least 1000 consecutive readings were used to calculate the peak-to-peak noise values in this table.



**Table 6. Input-Referred Noise ( $\mu\text{V}_{\text{RMS}} / \mu\text{V}_{\text{PP}}$ ) 5-V Analog Supply and 4.033-V Reference<sup>(1)</sup>**

DR BITS OF CONFIG1 REGISTER	OUTPUT DATA RATE (SPS)	-3-dB BANDWIDTH (Hz)	PGA GAIN = 3					PGA GAIN = 4				
			$\mu\text{V}_{\text{RMS}}$	$\mu\text{V}_{\text{PP}}$	SNR	NOISE-FREE BITS	ENOB	$\mu\text{V}_{\text{RMS}}$	$\mu\text{V}_{\text{PP}}$	SNR	NOISE-FREE BITS	ENOB
000	125	32.75	0.6	4.2	123.4	19.28	20.50	0.5	3.6	122.3	19.08	20.32
001	250	65.5	0.9	5.7	120.7	18.82	20.04	0.7	4.8	119.5	18.66	19.86
010	500	131	1.3	8.4	117.3	18.27	19.49	1.1	7.4	116.2	18.04	19.31
011	1000	262	2.0	13.3	113.5	17.62	18.85	1.6	11.0	112.7	17.48	18.72
100	2000	524	5.1	53	105.3	15.61	17.49	3.9	38	105.2	15.67	17.47
101	4000	1048	28.7	307	90.3	13.08	15.00	20.7	222	90.6	13.14	15.06
110	8000	2096	149.3	1598	76.0	10.70	12.62	111.8	1196	76.0	10.71	12.63
111	NA	NA	—	—	—	—	—	—	—	—	—	—

(1) At least 1000 consecutive readings were used to calculate the peak-to-peak noise values in this table.

**Table 7. Input-Referred Noise ( $\mu\text{V}_{\text{RMS}} / \mu\text{V}_{\text{PP}}$ ) 5-V Analog Supply and 4.033-V Reference<sup>(1)</sup>**

DR BITS OF CONFIG1 REGISTER	OUTPUT DATA RATE (SPS)	-3-dB BANDWIDTH (Hz)	PGA GAIN = 6					PGA GAIN = 8				
			$\mu\text{V}_{\text{RMS}}$	$\mu\text{V}_{\text{PP}}$	SNR	NOISE-FREE BITS	ENOB	$\mu\text{V}_{\text{RMS}}$	$\mu\text{V}_{\text{PP}}$	SNR	NOISE-FREE BITS	ENOB
000	125	32.75	0.5	3.0	120.4	18.78	19.99	0.4	2.7	118.5	18.48	19.68
001	250	65.5	0.6	4.0	117.5	18.36	19.52	0.6	3.8	115.7	18.01	19.21
010	500	131	0.9	6.0	114.3	17.75	18.99	0.8	5.3	112.8	17.53	18.74
011	1000	262	1.4	8.8	110.8	17.20	18.41	1.2	8.1	109.5	16.92	18.19
100	2000	524	2.8	24	104.6	15.74	17.38	2.3	18	103.6	15.73	17.22
101	4000	1048	13.3	142	91.0	13.20	15.12	9.3	100	91.5	13.29	15.21
110	8000	2096	71.5	765	76.4	10.77	12.69	52.3	560	76.6	10.80	12.72
111	NA	NA	—	—	—	—	—	—	—	—	—	—

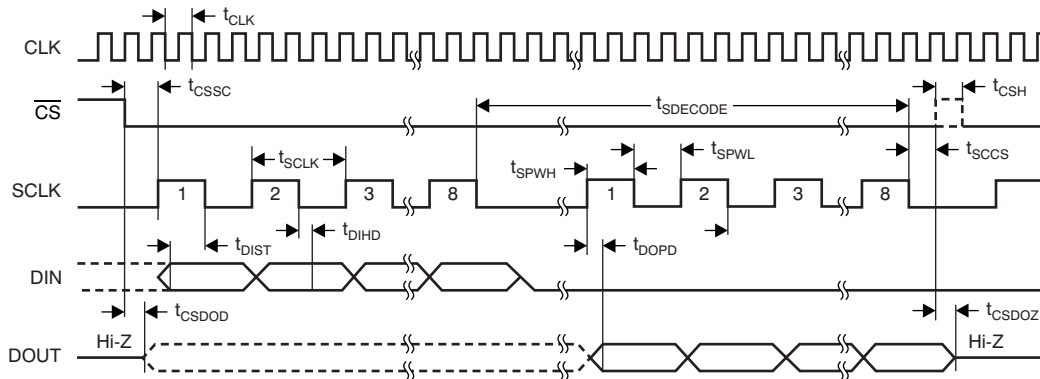
(1) At least 1000 consecutive readings were used to calculate the peak-to-peak noise values in this table.

**Table 8. Input-Referred Noise ( $\mu\text{V}_{\text{RMS}} / \mu\text{V}_{\text{PP}}$ ) 5-V Analog Supply and 4.033-V Reference<sup>(1)</sup>**

DR BITS OF CONFIG1 REGISTER	OUTPUT DATA RATE (SPS)	-3-dB BANDWIDTH (Hz)	PGA GAIN = 12				
			$\mu\text{V}_{\text{RMS}}$	$\mu\text{V}_{\text{PP}}$	SNR	NOISE-FREE BITS	ENOB
000	125	32.75	0.4	2.6	115.7	17.96	19.21
001	250	65.5	0.5	3.4	112.9	17.59	18.75
010	500	131	0.8	5.2	109.8	16.96	18.24
011	1000	262	1.1	6.9	106.6	16.56	17.70
100	2000	524	1.9	14	101.9	15.57	16.83
101	4000	1048	5.9	63	92.0	13.37	15.29
110	8000	2096	33.8	362	76.9	10.85	12.77
111	NA	NA	—	—	—	—	—

(1) At least 1000 consecutive readings were used to calculate the peak-to-peak noise values in this table.

**TIMING CHARACTERISTICS**



NOTE: SPI settings are CPOL = 0 and CPHA = 1.

**Figure 1. Serial Interface Timing**

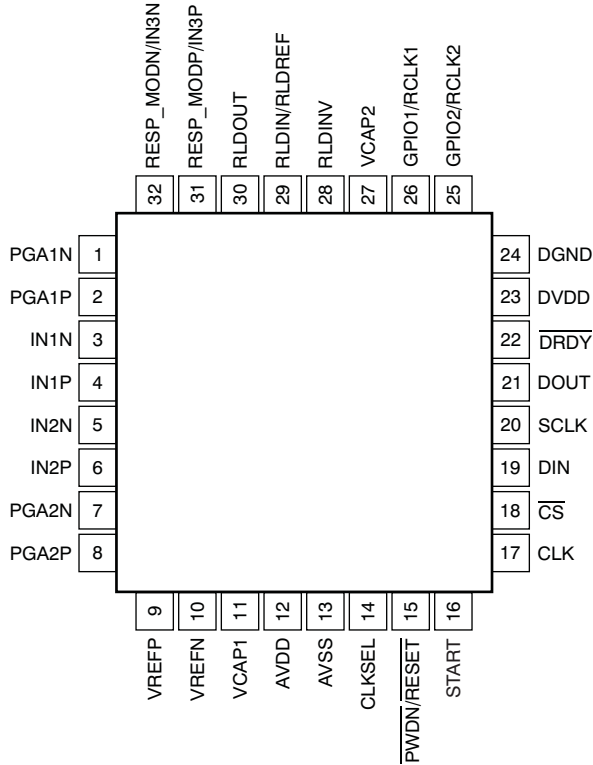
**Timing Requirements For Figure 1<sup>(1)</sup>**

PARAMETER	DESCRIPTION	2.7 V ≤ DVDD ≤ 3.6 V			1.7 V ≤ DVDD ≤ 2 V			UNIT
		MIN	TYP	MAX	MIN	TYP	MAX	
$t_{CLK}$	Master clock period (CLK_DIV bit of LOFF_STAT register = 0)	1775		2170	1775		2170	ns
	Master clock period (CLK_DIV bit of LOFF_STAT register = 1)	444		542	444		542	ns
$t_{CSSC}$	CS low to first SCLK, setup time	6			17			ns
$t_{SCLK}$	SCLK period	50			66.6			ns
$t_{SPWH, L}$	SCLK pulse width, high and low	15			25			ns
$t_{DIST}$	DIN valid to SCLK falling edge: setup time	10			10			ns
$t_{DIHD}$	Valid DIN after SCLK falling edge: hold time	10			11			ns
$t_{DOPD}$	SCLK rising edge to DOUT valid			12			22	ns
$t_{CSH}$	CS high pulse	2			2			$t_{CLKs}$
$t_{CSDOD}$	CS low to DOUT driven	10			20			ns
$t_{SCCS}$	Eighth SCLK falling edge to CS high	3			3			$t_{CLKs}$
$t_{SDECODE}$	Command decode time	4			4			$t_{CLKs}$
$t_{CSDOZ}$	CS high to DOUT Hi-Z			10			20	ns

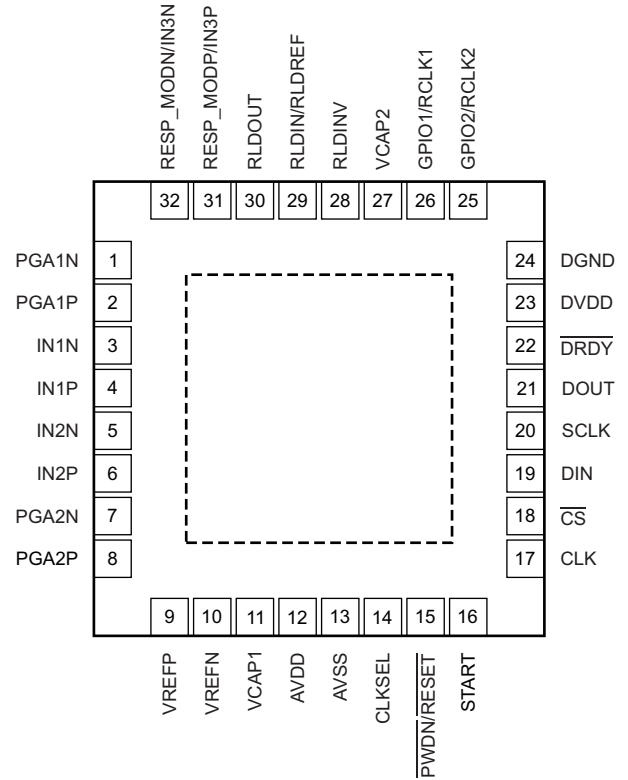
(1) Specifications apply from -40°C to +85°C. Load on D<sub>OUT</sub> = 20 pF || 100 kΩ.

## PIN CONFIGURATIONS

**PBS PACKAGE  
TQFP-32  
(TOP VIEW)**



**RSM PACKAGE  
QFN-32  
(TOP VIEW)**



### PIN ASSIGNMENTS

NAME	TERMINAL	FUNCTION	DESCRIPTION
AVDD	12	Supply	Analog supply
AVSS	13	Supply	Analog ground
CLK	17	Digital input	Master clock input
CLKSEL	14	Digital input	Master clock select
$\overline{\text{CS}}$	18	Digital input	Chip select
DGND	24	Supply	Digital ground
DIN	19	Digital input	SPI data in
DOUT	21	Digital output	SPI data out
$\overline{\text{DRDY}}$	22	Digital output	Data ready; active low
DVDD	23	Supply	Digital power supply
GPIO1/RCLK1	26	Digital input/output	General-purpose I/O 1 or resp clock 1 (ADS1292R)
GPIO2/RCLK2	25	Digital input/output	General-purpose I/O 2 or resp clock 2 (ADS1292R)
IN1N <sup>(1)</sup>	3	Analog input	Differential analog negative input 1
IN1P <sup>(1)</sup>	4	Analog input	Differential analog positive input 1
IN2N <sup>(1)</sup>	5	Analog input	Differential analog negative input 2
IN2P <sup>(1)</sup>	6	Analog input	Differential analog positive input 2
PGA1N	1	Analog output	PGA1 inverting output
PGA1P	2	Analog output	PGA1 noninverting output
PGA2N	7	Analog output	PGA2 inverting output
PGA2P	8	Analog output	PGA2 noninverting output
$\overline{\text{PWDN/RESET}}$	15	Digital input	Power-down or system reset; active low
RESP_MODN/IN3N <sup>(1)</sup>	32	Analog input/output	N-side respiration excitation signal for respiration or auxiliary input 3N
RESP_MODP/IN3P <sup>(1)</sup>	31	Analog input/output	P-side respiration excitation signal for respiration or auxiliary input 3P
RLDIN/RLDREF	29	Analog input	Right leg drive input to MUX or RLD amplifier noninverting input; connect to AVDD if not used
RLDINV	28	Analog input	Right leg drive inverting input; connect to AVDD if not used
RLDOUT	30	Analog input	Right leg drive output
SCLK	20	Digital input	SPI clock
START	16	Digital input	Start conversion
VCAP1	11	—	Analog bypass capacitor
VCAP2	27	—	Analog bypass capacitor
VREFN	10	Analog input	Negative reference voltage; must be connected to AVSS
VREFP	9	Analog input/output	Positive reference voltage

(1) Connect unused analog inputs to AVDD.

### TYPICAL CHARACTERISTICS

At  $T_A = +25^\circ\text{C}$ ,  $AVDD = 3\text{ V}$ ,  $AVSS = 0\text{ V}$ ,  $DVDD = 1.8\text{ V}$ , internal  $VREFP = 2.42\text{ V}$ ,  $VREFN = AVSS$ , external clock = 512 kHz, data rate = 500 SPS,  $C_{FILTER} = 4.7\text{ nF}$ , and gain = 6, unless otherwise noted.

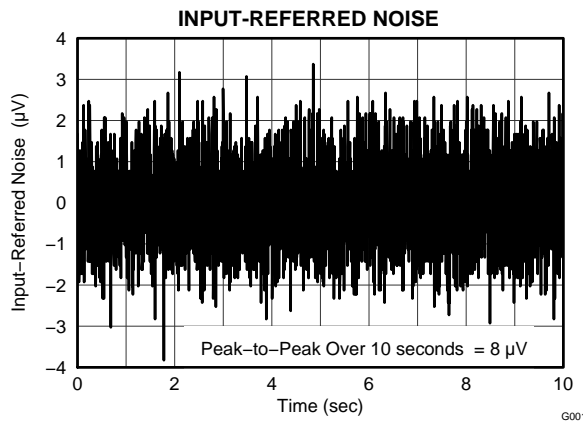


Figure 2.

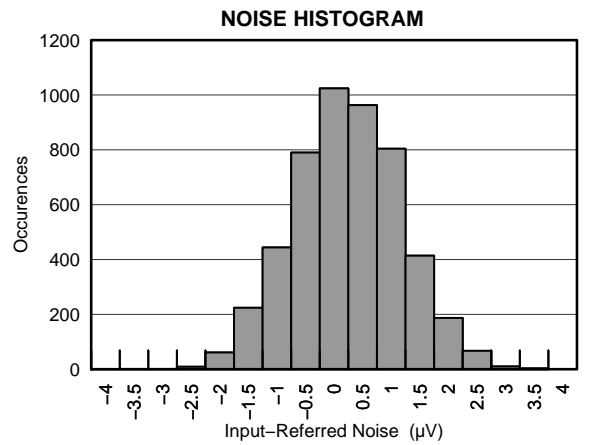


Figure 3.

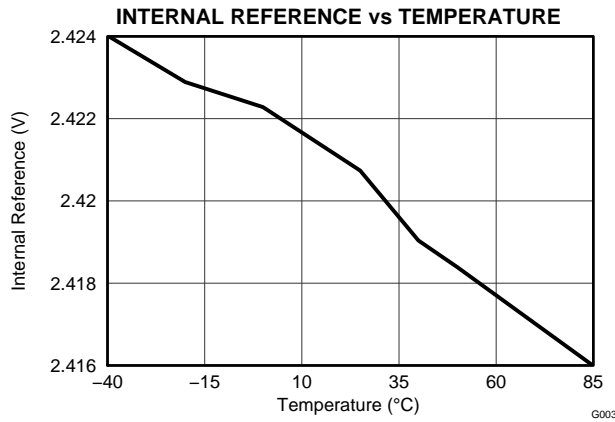


Figure 4.

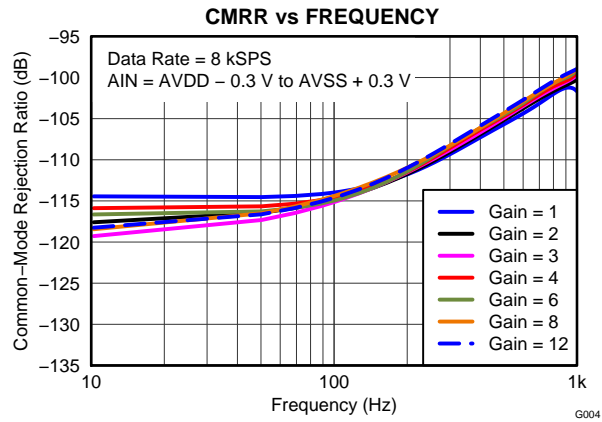


Figure 5.

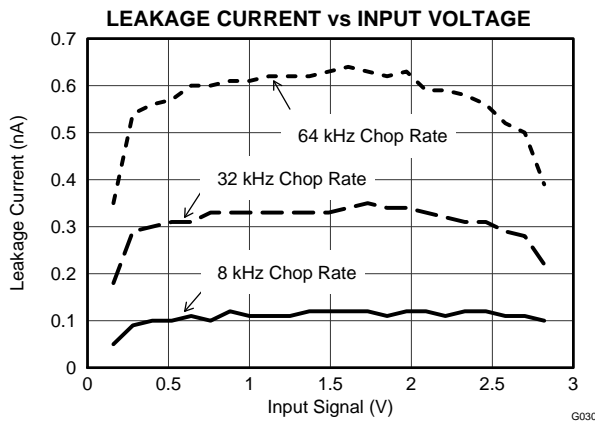


Figure 6.

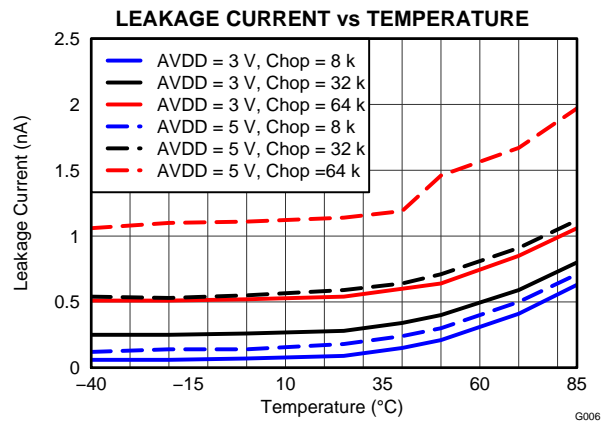


Figure 7.

**TYPICAL CHARACTERISTICS (continued)**

At  $T_A = +25^\circ\text{C}$ ,  $AV_{DD} = 3\text{ V}$ ,  $AV_{SS} = 0\text{ V}$ ,  $DV_{DD} = 1.8\text{ V}$ , internal  $V_{REFP} = 2.42\text{ V}$ ,  $V_{REFN} = AV_{SS}$ , external clock = 512 kHz, data rate = 500 SPS,  $C_{FILTER} = 4.7\text{ nF}$ , and gain = 6, unless otherwise noted.

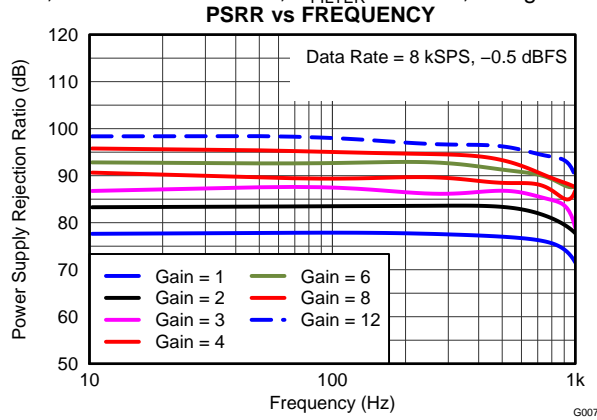


Figure 8.

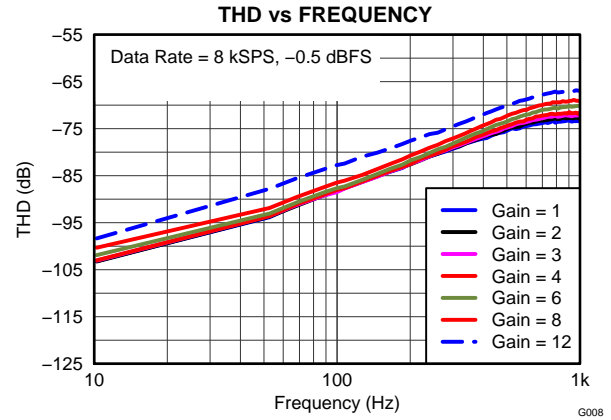


Figure 9.

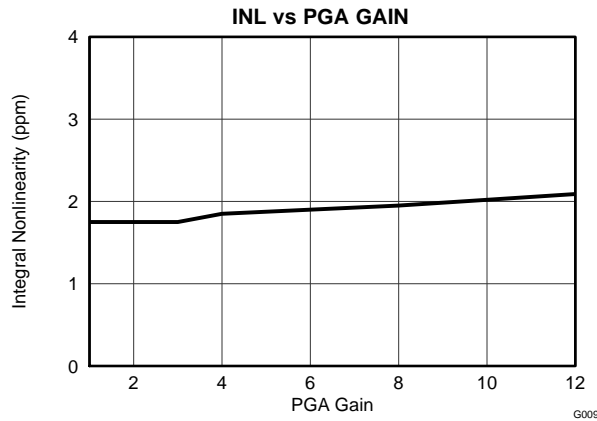


Figure 10.

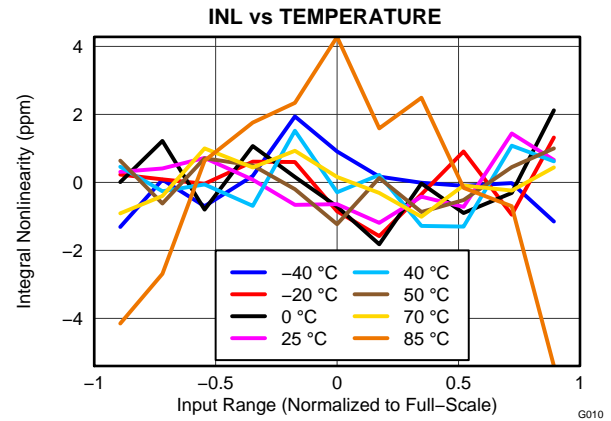


Figure 11.

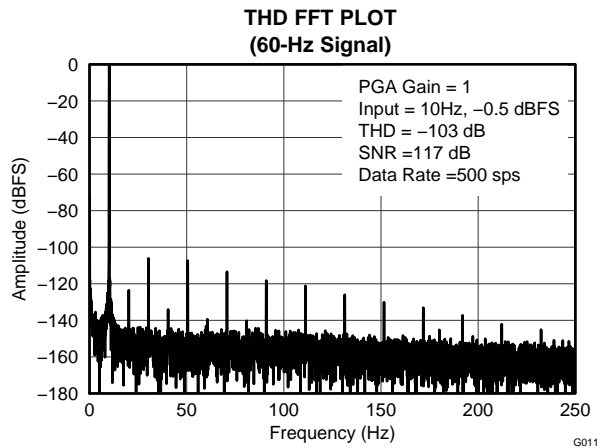


Figure 12.

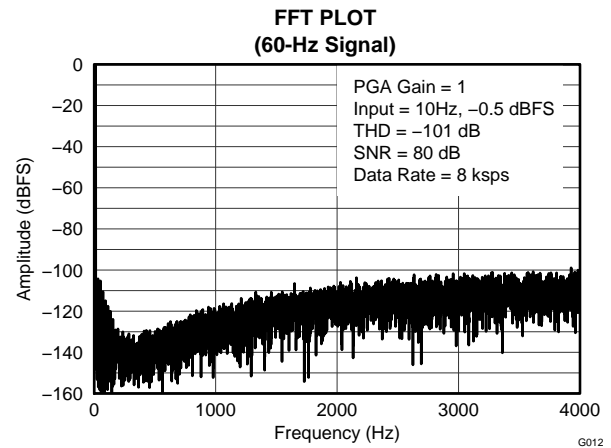


Figure 13.

### TYPICAL CHARACTERISTICS (continued)

At  $T_A = +25^\circ\text{C}$ ,  $AV_{DD} = 3\text{ V}$ ,  $AV_{SS} = 0\text{ V}$ ,  $DV_{DD} = 1.8\text{ V}$ , internal  $V_{REFP} = 2.42\text{ V}$ ,  $V_{REFN} = AV_{SS}$ , external clock = 512 kHz, data rate = 500 SPS,  $C_{FILTER} = 4.7\text{ nF}$ , and gain = 6, unless otherwise noted.

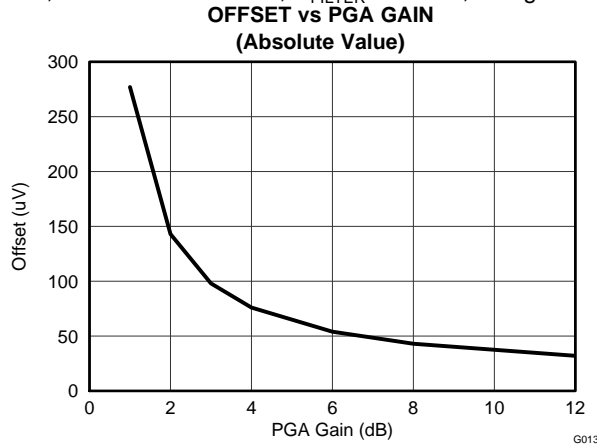


Figure 14.

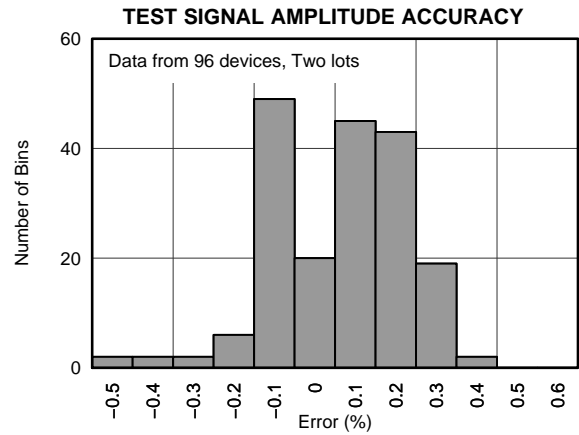


Figure 15.

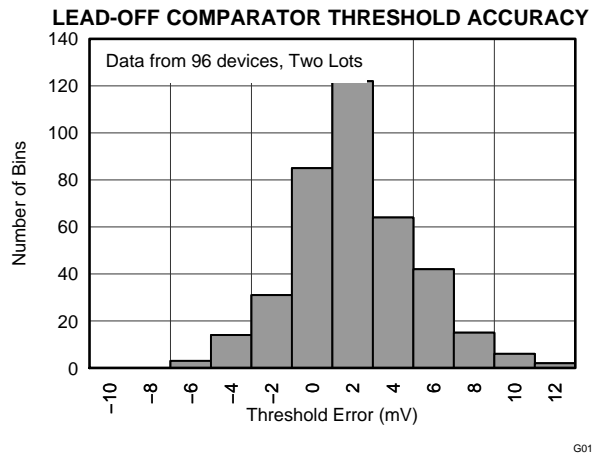


Figure 16.

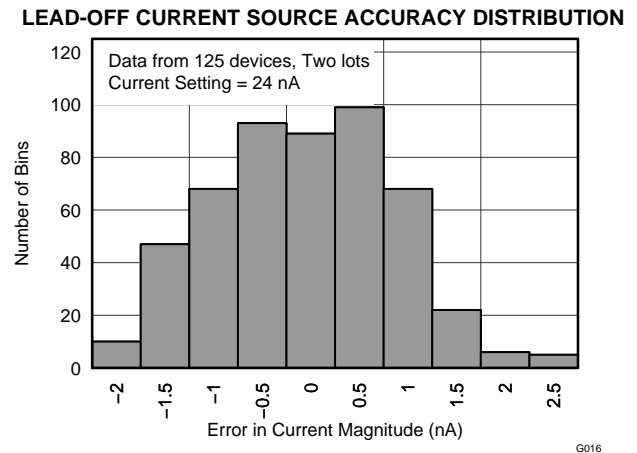


Figure 17.

## OVERVIEW

The ADS1291, ADS1292, and ADS1292R are low-power, multichannel, simultaneously-sampling, 24-bit delta-sigma ( $\Delta\Sigma$ ) analog-to-digital converters (ADCs) with integrated programmable gain amplifiers (PGAs). These devices integrate various electrocardiogram (ECG)-specific functions that make them well-suited for scalable ECG, sports, and fitness applications. The devices can also be used in high-performance, multichannel data acquisition systems by powering down the ECG-specific circuitry.

The ADS1291, ADS1292, and ADS1292R have a highly programmable multiplexer that allows for temperature, supply, input short, and RLD measurements. Additionally, the multiplexer allows any of the input electrodes to be programmed as the patient reference drive. The PGA gain can be chosen from one of seven settings (1, 2, 3, 4, 6, 8, and 12). The ADCs in the device offer data rates from 125 SPS to 8 kSPS. Communication to the device is accomplished using an SPI-compatible interface. The device provides two general-purpose I/O (GPIO) pins for general use. Multiple devices can be synchronized using the START pin.

The internal reference can be programmed to either 2.42 V or 4.033 V. The internal oscillator generates a 512-kHz clock. The versatile right leg drive (RLD) block allows the user to choose the average of any combination of electrodes to generate the patient drive signal. Lead-off detection can be accomplished either by using an external pull-up or pull-down resistor or the device internal current source or sink. An internal ac lead-off detection feature is also available. Apart from the above features, the ADS1292R provides options for internal respiration circuitry. Figure 18 shows a block diagram for the ADS1291, ADS1292, and ADS1292R.

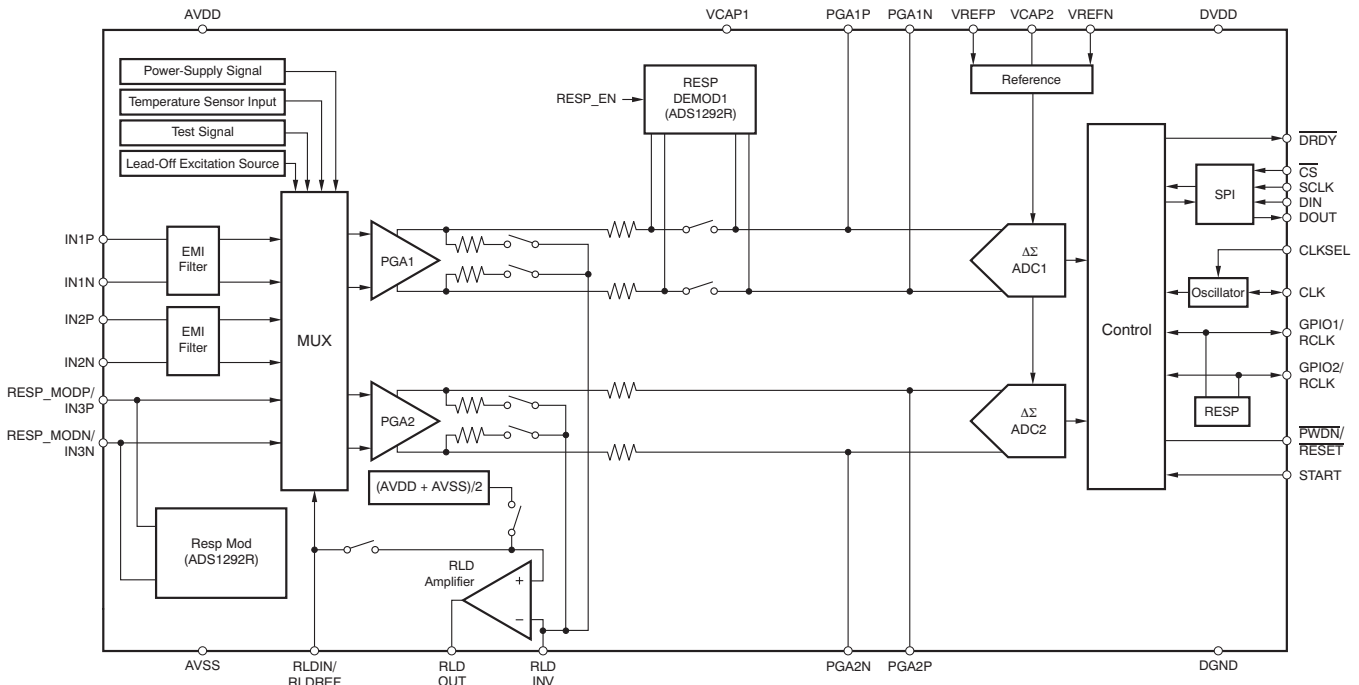


Figure 18. Functional Block Diagram



## THEORY OF OPERATION

This section contains details of the ADS1291, ADS1292, and ADS1292R internal functional elements. The analog blocks are discussed first followed by the digital interface. Blocks implementing ECG-specific functions are covered in the end.

Throughout this document,  $f_{CLK}$  denotes the signal frequency at the CLK pin,  $t_{CLK}$  denotes the signal period of the CLK pin,  $f_{DR}$  denotes the output data rate,  $t_{DR}$  denotes the output data time period, and  $f_{MOD}$  denotes the frequency at which the modulator samples the input.

### EMI FILTER

An RC filter at the input acts as an electromagnetic interference (EMI) filter on channels 1 and 2. The –3-dB filter bandwidth is approximately 3 MHz.

### INPUT MULTIPLEXER

The ADS1291, ADS1292, and ADS1292R input multiplexers are very flexible and provide many configurable signal-switching options. [Figure 19](#) shows the multiplexer for the ADS1291, ADS1292, and ADS1292R. Note that TESTP, TESTM, and RLDIN/RLDREF are common to both channels. INP and INN are separate for each of the three pins. This flexibility allows for significant device and sub-system diagnostics, calibration, and configuration. Switch settings for each channel are selected by writing the appropriate values to the CH1SET or CH2SET register (see the [CH1SET](#) and [CH2SET](#) Registers in the [Register Map](#) section for details). More details of the ECG-specific features of the multiplexer are discussed in the [Input Multiplexer](#) subsection of the [ECG-Specific Functions](#).

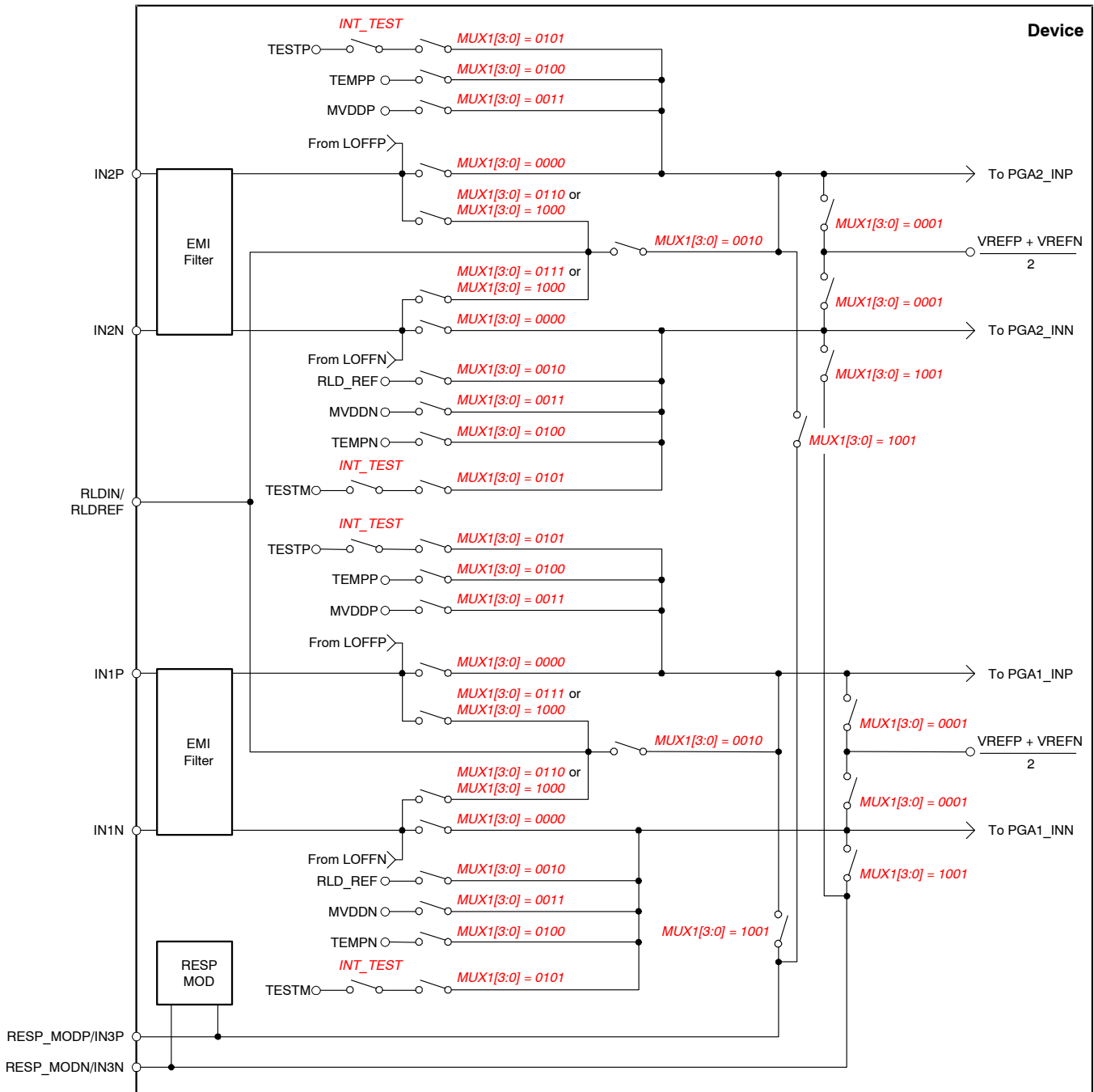
### Device Noise Measurements

Setting CHnSET[3:0] = 0001 sets the common-mode voltage of  $(V_{REFP} + V_{REFN}) / 2$  to both inputs of the channel. This setting can be used to test the inherent noise of the device in the user system.

### Test Signals (TestP and TestN)

Setting CHnSET[3:0] = 0101 provides internally-generated test signals for use in sub-system verification at power-up. This functionality allows the entire signal chain to be tested out. Although the test signals are similar to the CAL signals described in the IEC60601-2-51 specification, this feature is not intended for use in compliance testing.

Test signals are controlled through register settings (see the [CONFIG2: Configuration Register 2](#) subsection in the [Register Map](#) section for details). INT\_TEST enables the test signal and TEST\_FREQ controls switching at the required frequency.



NOTE: MVDD monitor voltage supply depends on channel number; see the [Supply Measurements \(MVDDP, MVDDN\)](#) section.

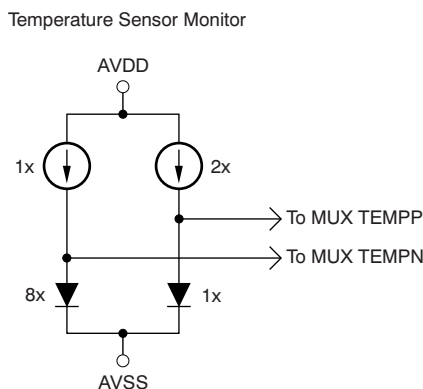
**Figure 19. Input Multiplexer Block for Both Channels**

### Auxiliary Differential Input (RESP\_MODN/IN3N, RESP\_MODN/IN3P)

In applications where the respiration modulator output is not used, the RESP\_MODN/IN3N and RESP\_MODN/IN3P signals can be used as a third multiplexed differential input channel. These inputs can be multiplexed to either of the ADC channels.

### Temperature Sensor (TEMPP, TEMPN)

The ADS1291, ADS1292, and ADS1292R contain an on-chip temperature sensor. This sensor uses two internal diodes with one diode having a current density 16x that of the other, as shown in Figure 20. The difference in diode current densities yields a difference in voltage that is proportional to absolute temperature.



**Figure 20. Temperature Sensor Measurement in the Input**

As a result of the low thermal resistance of the package to the printed circuit board (PCB), the internal device temperature tracks the PCB temperature closely. Note that self-heating of the ADS1291, ADS1292, and ADS1292R causes a higher reading than the temperature of the surrounding PCB.

The scale factor of Equation 4 converts the temperature reading to °C. Before using this equation, the temperature reading code must first be scaled to  $\mu\text{V}$ .

$$\text{Temperature (}^\circ\text{C)} = \left[ \frac{\text{Temperature Reading (}\mu\text{V)} - 145,300 \mu\text{V}}{490 \mu\text{V}/^\circ\text{C}} \right] + 25^\circ\text{C} \quad (4)$$

### Supply Measurements (MVDDP, MVDDN)

Setting CHnSET[3:0] = 0011 sets the channel inputs to different supply voltages of the device. For channel 1 (MVDDP – MVDDN) is  $[0.5(\text{AVDD} + \text{AVSS})]$ ; for channel 2 (MVDDP – MVDDN) is  $\text{DVDD} / 4$ . Note that to avoid saturating the PGA while measuring power supplies, the gain must be set to '1'.

### Lead-Off Excitation Signals (LoffP, LoffN)

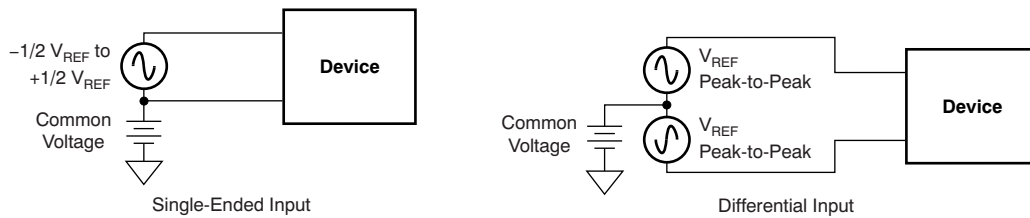
The lead-off excitation signals are fed into the multiplexer before the switches. The comparators that detect the lead-off condition are also connected to the multiplexer block before the switches. For a detailed description of the lead-off block, refer to the [Lead-Off Detection](#) subsection in the [ECG-Specific Functions](#) section.

### Auxiliary Single-Ended Input

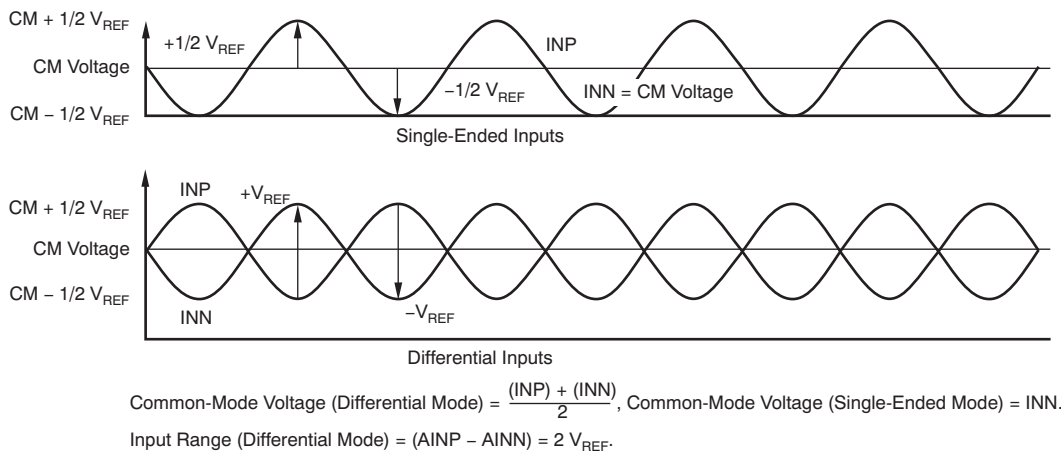
The RLDIN/RLDREF pin is primarily used for routing the right leg drive signal to any of the electrodes in case the right leg drive electrode falls off. However, the RLDIN/RLDREF pin can be used as a multiple single-ended input channel. The signal at the RLDIN/RLDREF pin can be measured with respect to the midsupply  $[(\text{AVDD} + \text{AVSS}) / 2]$ . This measurement is done by setting the channel multiplexer setting MUXn[3:0] to '0010' in the CH1SET and CH2SET registers.

## ANALOG INPUT

The ADS1291, ADS1292, and ADS1292R analog input is fully differential. Assuming  $PGA = 1$ , the differential input ( $INP - INN$ ) can span between  $-V_{REF}$  to  $+V_{REF}$ . Note that the absolute range for  $INP$  and  $INN$  must be between  $AVSS - 0.3\text{ V}$  and  $AVDD + 0.3\text{ V}$ . Refer to [Table 10](#) for an explanation of the correlation between the analog input and the digital codes. There are two general methods of driving the ADS1291, ADS1292, and ADS1292R analog input: single-ended or differential, as shown in [Figure 21](#) and [Figure 22](#). Note that  $INP$  and  $INN$  are  $180^\circ\text{C}$  out-of-phase in the differential input method. When the input is single-ended, the  $INN$  input is held at the common-mode voltage, preferably at mid-supply. The  $INP$  input swings around the same common voltage and the peak-to-peak amplitude is  $(\text{common-mode} + 1/2 V_{REF})$  and  $(\text{common-mode} - 1/2 V_{REF})$ . When the input is differential, the common-mode is given by  $(INP + INN) / 2$ . Both  $INP$  and  $INN$  inputs swing from  $(\text{common-mode} + 1/2 V_{REF})$  to  $(\text{common-mode} - 1/2 V_{REF})$ . For optimal performance, it is recommended that the ADS1291, ADS1292, and ADS1292R be used in a differential configuration.



**Figure 21. Methods of Driving the ADS1291, ADS1292, and ADS1292R: Single-Ended or Differential**



**Figure 22. Using the ADS1291, ADS1292, and ADS1292R in Single-Ended and Differential Input Modes**

## PGA SETTINGS AND INPUT RANGE

The PGA is a differential input or differential output amplifier, as shown in Figure 23. It has seven gain settings (1, 2, 3, 4, 6, 8, and 12) that can be set by writing to the CHnSET register (see the CH1SET and CH2SET Registers in the Register Map section for details). The ADS1291, ADS1292, and ADS1292R have CMOS inputs and hence have negligible current noise.

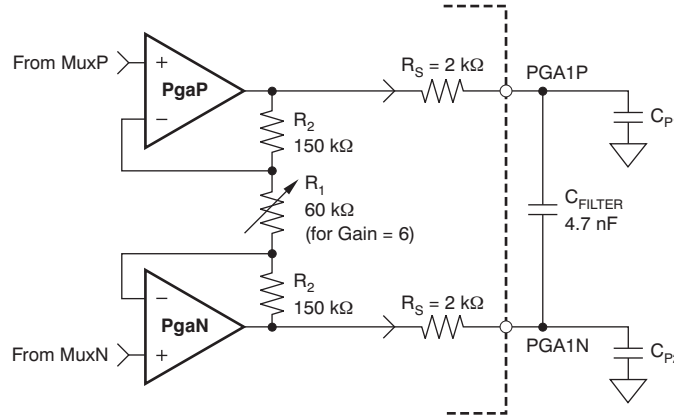


Figure 23. PGA Implementation

The PGA resistor string that implements the gain has 360 kΩ of resistance for a gain of 6. This resistance provides a current path across the outputs of the PGA in the presence of a differential input signal. This current is in addition to the quiescent current specified for the device in the presence of a differential signal at the input. The PGA output is filtered by an RC filter before it goes to the ADC. The filter is formed by an internal resistor  $R_S = 2\text{ k}\Omega$  and an external capacitor  $C_{\text{FILTER}}$  (4.7 nF, typical). This filter acts as an anti-aliasing filter with the  $-3\text{-dB}$  bandwidth of 8.4 kHz. The internal  $R_S$  resistor is accurate to 15% so actual bandwidth will vary. This RC filter also suppresses the glitch at the PGA output caused by ADC sampling. The minimum value of  $C_{\text{EXT}}$  that can be used is 4 nF. A larger value  $C_{\text{FILTER}}$  capacitor can be used for increased attenuation at higher frequencies for anti-aliasing purposes. If channel 1 of the ADS1292R is used for respiration measurement, then a 4.7-nF external capacitor is recommended. The tradeoff is that a larger capacitor value gives degraded THD performance. See Figure 24 for a diagram explaining the THD versus  $C_{\text{FILTER}}$  value for a 10-Hz input signal.

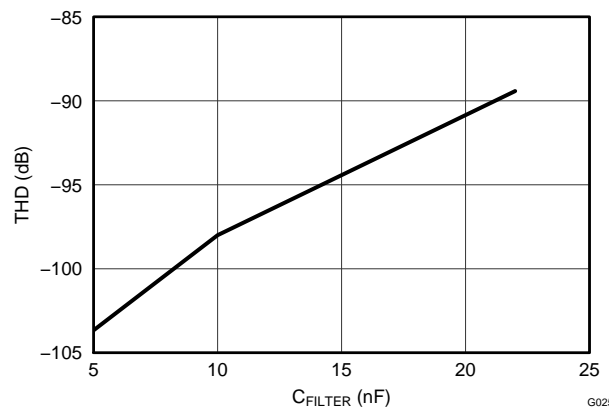


Figure 24. THD versus  $C_{\text{FILTER}}$  Value

Special care must be taken in PCB layout to minimize the parasitic capacitance  $C_{P1} / C_{P2}$ . The absolute value of these capacitances must be less than 20 pF. Ideally,  $C_{FILTER}$  should be placed right at the pins to minimize these capacitors. Mismatch between these capacitors will lead to CMRR degradation. Assuming everything else is perfectly matched, the 60-Hz CMRR as a function of this mismatch is given by [Equation 5](#).

$$CMRR = 20 \log \frac{\text{Gain}}{2\pi \times 2e3 \times \Delta C_p \times 60} \quad (5)$$

where  $\Delta C_p = C_{P1} - C_{P2}$

For example, a mismatch of 20 pF with a gain of 6 limits the CMRR to 112 dB. If  $\Delta C_p$  is small, then the CMRR is limited by the PGA itself and is as specified in the [Electrical Characteristics](#) table. The PGA are chopped internally at either 8, 32, or 64 kSPS, as determined by the CHOP bits (see the [RLD\\_SENS: Right Leg Drive Sense Selection](#) register, bits[7:6]). The digital decimation filter filters out the chopping ripple in the normal path so the chopping ripple is not a concern. If PGA output is used for hardware PACE detection, the chopping ripple must be filtered. First-order filtering is provided by the RC filter at the PGA output. Additional filtering may be needed to suppress the chopping ripple. If the PGA output is routed to other circuitry, a 20-k $\Omega$  series resistance must be added in the path near the  $C_{FILTER}$  capacitor. The routing should be matched to maintain the CMRR performance.

### Input Common-Mode Range

The usable input common-mode range of the front end depends on various parameters, including the maximum differential input signal, supply voltage, and PGA gain. [Equation 6](#) describes this range.

$$AVDD - 0.2 - \left[ \frac{\text{Gain } V_{MAX\_DIFF}}{2} \right] > CM > AVSS + 0.2 + \left[ \frac{\text{Gain } V_{MAX\_DIFF}}{2} \right]$$

where:

$V_{MAX\_DIFF}$  = maximum differential signal at the input of the PGA

CM = common-mode range (6)

For example:

If  $V_{DD} = 3 \text{ V}$ , gain = 6, and  $V_{MAX\_DIFF} = 350 \text{ mV}$   
 Then  $1.25 \text{ V} < CM < 1.75 \text{ V}$

### Input Differential Dynamic Range

The differential (INP – INN) signal range depends on the analog supply and reference used in the system. [Equation 7](#) shows this range.

$$\text{Max (INP – INN)} < \frac{V_{REF}}{\text{Gain}} ; \quad \text{Full-Scale Range} = \frac{\pm V_{REF}}{\text{Gain}} = \frac{2 V_{REF}}{\text{Gain}} \quad (7)$$

The 3-V supply, with a reference of 2.42 V and a gain of 6 for ECGs, is optimized for power with a differential input signal of approximately 300 mV. For higher dynamic range, a 5-V supply with a reference of 4.033 V (set by the VREF\_4V bit of the CONFIG2 register) can be used to increase the differential dynamic range.

## ADC $\Delta\Sigma$ Modulator

Each channel of the ADS1291, ADS1292, and ADS1292R has a 24-bit  $\Delta\Sigma$  ADC. This converter uses a second-order modulator optimized for low-power applications. The modulator samples the input signal at the rate of  $f_{MOD} = f_{CLK} / 4$  or  $f_{CLK} / 16$ , as determined by the CLK\_DIV bit. In both cases, the sampling clock has a typical value of 128 kHz. As in the case of any  $\Delta\Sigma$  modulator, the ADS1291, ADS1292, and ADS1292R noise is shaped until  $f_{MOD} / 2$ , as shown in [Figure 25](#). The on-chip digital decimation filters explained in the [Digital Decimation Filter](#) section can be used to filter out the noise at higher frequencies. These on-chip decimation filters also provide antialias filtering. This feature of the  $\Delta\Sigma$  converters drastically reduces the complexity of analog antialiasing filters that are typically needed with nyquist ADCs.

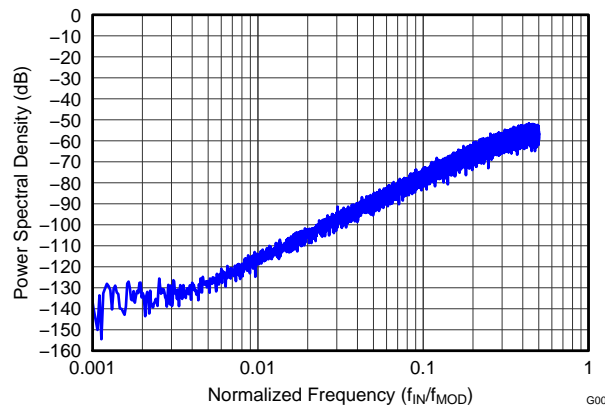


Figure 25. Power Spectral Density (PSD) of a  $\Delta\Sigma$  Modulator (4-Bit Quantizer)

## DIGITAL DECIMATION FILTER

The digital filter receives the modulator output and decimates the data stream. By adjusting the amount of filtering, tradeoffs can be made between resolution and data rate: filter more for higher resolution, filter less for higher data rates. Higher data rates are typically used in ECG applications for implement software pace detection and ac lead-off detection.

The digital filter on each channel consists of a third-order sinc filter. The decimation ratio on the sinc filters can be adjusted by the DR bits in the CONFIG1 register (see the [Register Map](#) section for details). This setting is a global setting that affects all channels and, therefore, in a device all channels operate at the same data rate.

### Sinc Filter Stage (sinc / x)

The sinc filter is a variable decimation rate, third-order, low-pass filter. Data are supplied to this section of the filter from the modulator at the rate of  $f_{MOD}$ . The sinc filter attenuates the high-frequency noise of the modulator, then decimates the data stream into parallel data. The decimation rate affects the overall data rate of the converter.

[Equation 8](#) shows the scaled Z-domain transfer function of the sinc filter.

$$|H(z)| = \left| \frac{1 - Z^{-N}}{1 - Z^{-1}} \right|^3 \quad (8)$$

The frequency domain transfer function of the sinc filter is shown in [Equation 9](#).

$$|H(f)| = \left| \frac{\sin \left[ \frac{N\pi f}{f_{MOD}} \right]}{N \times \sin \left[ \frac{\pi f}{f_{MOD}} \right]} \right|^3$$

where:

$$N = \text{decimation ratio} \quad (9)$$

The sinc filter has notches (or zeroes) that occur at the output data rate and multiples thereof. At these frequencies, the filter has infinite attenuation. Figure 26 shows the sinc filter frequency response and Figure 27 shows the sinc filter roll-off. With a step change at input, the filter takes  $3 t_{DR}$  to settle. After a START signal rising edge, the filter takes  $t_{SETTLE}$  time to give the first data output. The filter settling times at various data rates are discussed in the *START* subsection of the *SPI Interface* section. Figure 28 and Figure 29 show the filter transfer function until  $f_{MOD} / 2$  and  $f_{MOD} / 16$ , respectively, at different data rates. Figure 30 shows the transfer function extended until  $4 f_{MOD}$ . It can be seen that the ADS1291, ADS1292, and ADS1292R passband repeats itself at every  $f_{MOD}$ . The input R-C anti-aliasing filters in the system should be chosen such that any interference in frequencies around multiples of  $f_{MOD}$  are attenuated sufficiently.

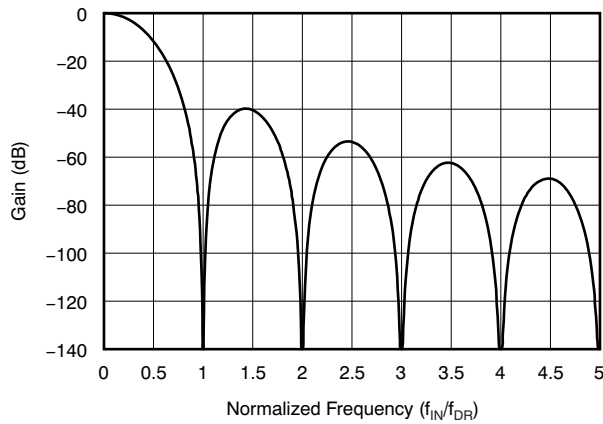


Figure 26. Sinc Filter Frequency Response

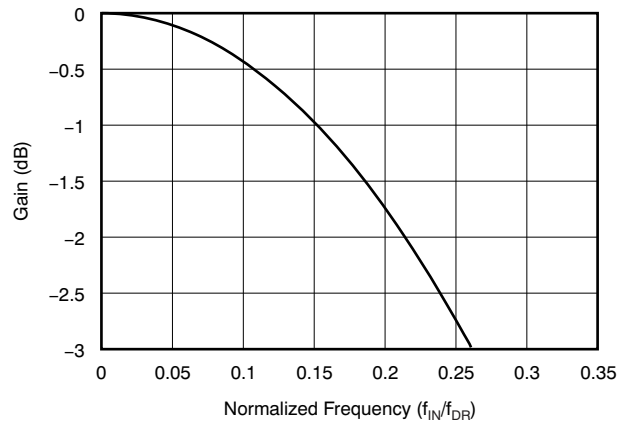


Figure 27. Sinc Filter Roll-Off

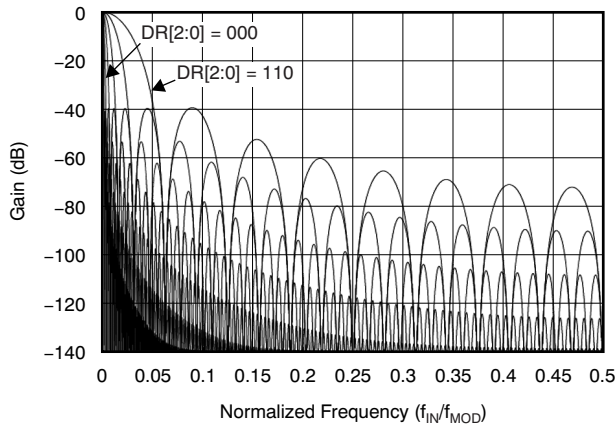


Figure 28. Transfer Function of On-Chip Decimation Filters Until  $f_{MOD} / 2$

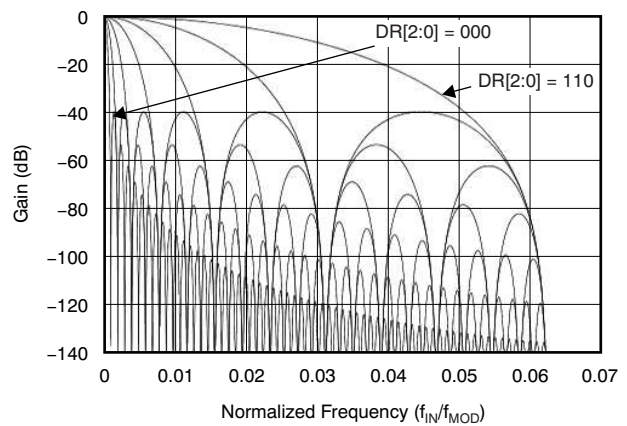
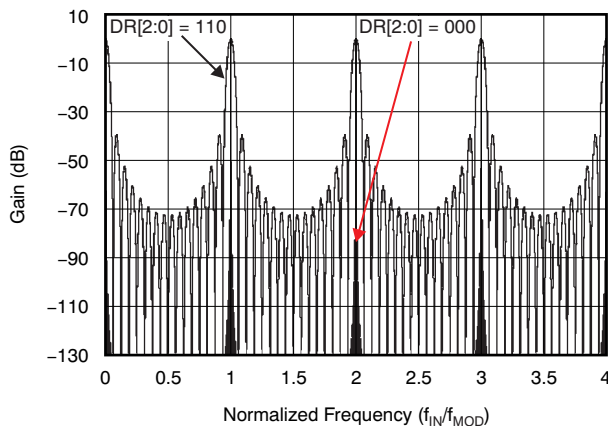


Figure 29. Transfer Function of On-Chip Decimation Filters Until  $f_{MOD} / 16$

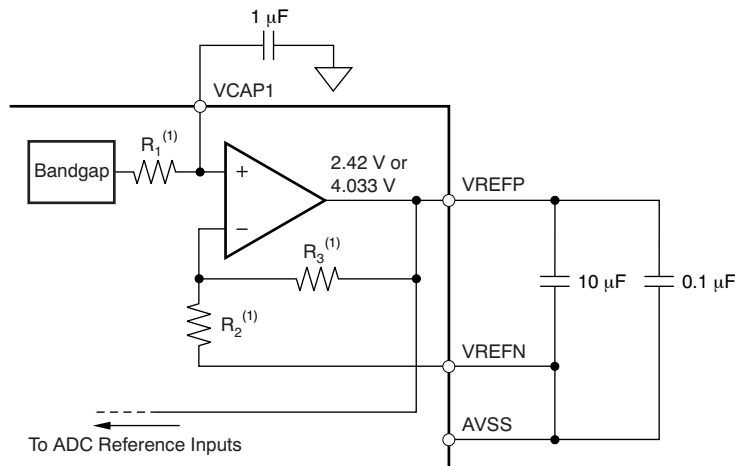




**Figure 30. Transfer Function of On-Chip Decimation Filters Until  $4f_{MOD}$  for DR[2:0] = 000 and DR[2:0] = 110**

## REFERENCE

Figure 31 shows a simplified block diagram of the ADS1291, ADS1292, and ADS1292R internal reference. The reference voltage is generated with respect to AVSS. The VREFN pin must always be connected to AVSS.

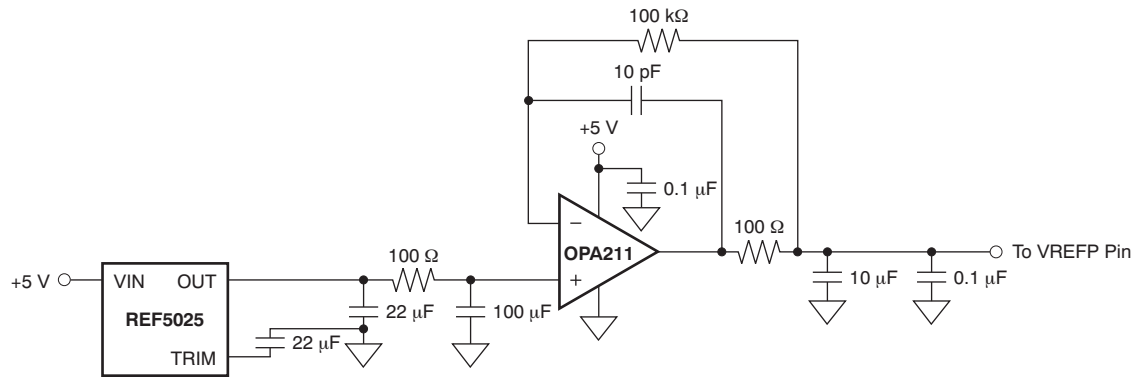


(1) For  $V_{REF} = 2.42$  V:  $R_1 = 100$  k $\Omega$ ,  $R_2 = 200$  k $\Omega$ , and  $R_3 = 200$  k $\Omega$ . For  $V_{REF} = 4.033$  V:  $R_1 = 84$  k $\Omega$ ,  $R_2 = 120$  k $\Omega$ , and  $R_3 = 280$  k $\Omega$ .

**Figure 31. Internal Reference**

The external band-limiting capacitors determine the amount of reference noise contribution. For high-end ECG systems, the capacitor values should be chosen such that the bandwidth is limited to less than 10 Hz so that the reference noise does not dominate the system noise. When using a 3-V analog supply, the internal reference must be set to 2.42 V. In case of a 5-V analog supply, the internal reference can be set to 4.033 V by setting the VREF\_4V bit in the CONFIG2 register.

Alternatively, the internal reference buffer can be powered down and VREFP can be applied externally. Figure 32 shows a typical external reference drive circuitry. Power-down is controlled by the PD\_REFBUF bit in the CONFIG2 register. This power-down is also used to share internal references when two devices are cascaded. By default the device wakes up in external reference mode.



**Figure 32. External Reference Driver**

## CLOCK

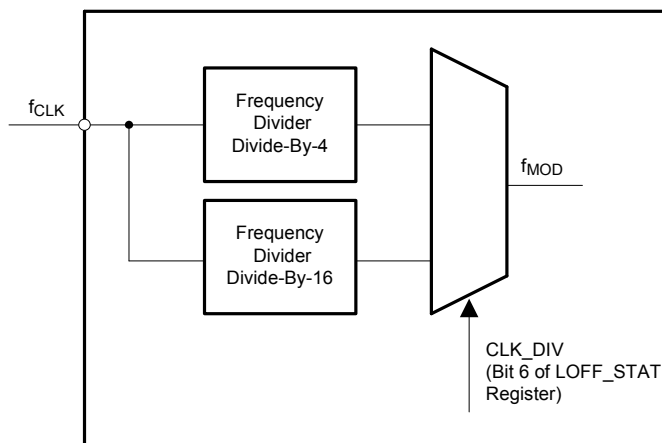
The ADS1291, ADS1292, and ADS1292R provide two different methods for device clocking: internal and external. Internal clocking is ideally suited for low-power, battery-powered systems. The internal oscillator is trimmed for accuracy at room temperature. Over the specified temperature range the accuracy varies; see the [Electrical Characteristics](#). Clock selection is controlled by the CLKSEL pin and the CLK\_EN register bit.

The CLKSEL pin selects either the internal or external clock. The CLK\_EN bit in the CONFIG2 register enables and disables the oscillator clock to be output in the CLK pin. A truth table for these two pins is shown in [Table 9](#). The CLK\_EN bit is useful when multiple devices are used in a daisy-chain configuration. It is recommended that during power-down the external clock be shut down to save power.

**Table 9. CLKSEL Pin and CLK\_EN Bit**

CLKSEL PIN	CONFIG2.CLK_EN BIT	CLOCK SOURCE	CLK PIN STATUS
0	X	External clock	Input: external clock
1	0	Internal clock oscillator	3-state
1	1	Internal clock oscillator	Output: internal clock oscillator

The ADS1291, ADS1292, and ADS1292R have the option to choose between two different external clock frequencies (512 kHz or 2.048 MHz). This frequency is selected by setting the CLK\_DIV bit (bit 6) in the LOFF\_STAT register. The modulator must be clocked at 128 kHz, regardless of the external clock frequency. [Figure 33](#) shows the relationship between the external clock ( $f_{CLK}$ ) and the modulator clock ( $f_{MOD}$ ). The default mode of operation is  $f_{CLK} = 512$  kHz. The higher frequency option has been provided to allow the SPI to run at a higher speed. SCLK can be only twice the speed of  $f_{CLK}$  during a register read or write, see section on sending multi-byte commands. Having the 2.048 MHz option allows for register read and writes to be performed at SCLK speeds up to 4.096 MHz.



**Figure 33. Relationship Between External Clock ( $f_{CLK}$ ) and Modulator Clock ( $f_{MOD}$ )**

## DATA FORMAT

The ADS1291, ADS1292, and ADS1292R outputs 24 bits of data per channel in binary two's complement format, MSB first. The LSB has a weight of  $V_{REF} / (2^{23} - 1)$ . A positive full-scale input produces an output code of 7FFFFFFh and the negative full-scale input produces an output code of 800000h. The output clips at these codes for signals exceeding full-scale. [Table 10](#) summarizes ideal output codes for different input signals. All 24 bits toggle when the analog input is at positive or negative full-scale.

**Table 10. Ideal Output Code versus Input Signal**

INPUT SIGNAL, $V_{IN}$ (AINP – AINN)	IDEAL OUTPUT CODE <sup>(1)</sup>
$\geq V_{REF}$	7FFFFFFh
$+V_{REF} / (2^{23} - 1)$	000001h
0	000000h
$-V_{REF} / (2^{23} - 1)$	FFFFFFFh
$\leq -V_{REF} (2^{23} / 2^{23} - 1)$	800000h

(1) Excludes effects of noise, linearity, offset, and gain error.

## SPI INTERFACE

The SPI-compatible serial interface consists of four signals:  $\overline{CS}$ , SCLK, DIN, and DOUT. The interface reads conversion data, reads and writes registers, and controls ADS1291, ADS1292, and ADS1292R operation. The  $\overline{DRDY}$  output is used as a status signal to indicate when data are ready.  $\overline{DRDY}$  goes low when new data are available.

### Chip Select ( $\overline{CS}$ )

$\overline{CS}$  selects the ADS1291, ADS1292, and ADS1292R for SPI communication.  $\overline{CS}$  must remain low for the entire duration of the serial communication. After the serial communication is finished, always wait four or more  $t_{CLK}$  cycles before taking  $\overline{CS}$  high. When  $\overline{CS}$  is taken high, the serial interface is reset, SCLK and DIN are ignored, and DOUT enters a high-impedance state.  $\overline{DRDY}$  asserts when data conversion is complete, regardless of whether  $\overline{CS}$  is high or low.

### Serial Clock (SCLK)

SCLK is the serial peripheral interface (SPI) serial clock. SCLK is used to shift commands in and shift data out from the device. The serial clock features a Schmitt-triggered input and clocks data on the DIN and DOUT pins into and out of the ADS1291, ADS1292, and ADS1292R. Even though the input has hysteresis, it is recommended to keep SCLK as clean as possible to prevent glitches from accidentally forcing a clock event. The absolute maximum SCLK limit is specified in the [Serial Interface Timing](#) table. When shifting in commands with SCLK, make sure that the entire set of SCLKs is issued to the device. Failure to do so could result in the device serial interface being placed into an unknown state, requiring  $\overline{CS}$  to be taken high to recover.

For a single device, the minimum speed needed for the SCLK depends on the number of channels, number of bits of resolution, and output data rate. (For multiple cascaded devices, see the [Cascade Mode](#) subsection of the [Multiple Device Configuration](#) section.) The minimum speed can be calculated with [Equation 10](#).

$$t_{SCLK} < \frac{t_{DR} - 4 t_{CLK}}{152} \quad (10)$$

For example, if the ADS1292R is used in a 500-SPS mode (2 channels, 24-bit resolution), the minimum SCLK speed is approximately 36 kHz.

Data retrieval can be done either by putting the device in RDATA mode or by issuing a RDATA command for data on demand. The above SCLK rate limitation applies to RDATA mode. For the RDATA command, the limitation applies if data must be read in between two consecutive  $\overline{DRDY}$  signals. [Equation 10](#) assumes that there are no other commands issued in between data captures. SCLK can only be twice the speed of  $f_{CLK}$  during register reads and writes. For faster SPI interface, use  $f_{CLK} = 2.048$  MHz and set the CLK\_DIV register bit (in the LOFF\_STAT register) to '1'.

## Data Input (DIN)

The data input pin (DIN) is used along with SCLK to communicate with the ADS1291, ADS1292, and ADS1292R (opcode commands and register data). The device latches data on DIN on the SCLK falling edge.

## Data Output (DOUT)

The data output pin (DOUT) is used with SCLK to read conversion and register data from the ADS1291, ADS1292, and ADS1292R. Data on DOUT are shifted out on the SCLK rising edge. DOUT goes to a high-impedance state when  $\overline{CS}$  is high. In read data continuous mode (see the [SPI Command Definitions](#) section for more details), the DOUT output line also indicates when new data are available. This feature can be used to minimize the number of connections between the device and the system controller.

Figure 34 shows the data output protocol for the ADS1292 and ADS1292R.

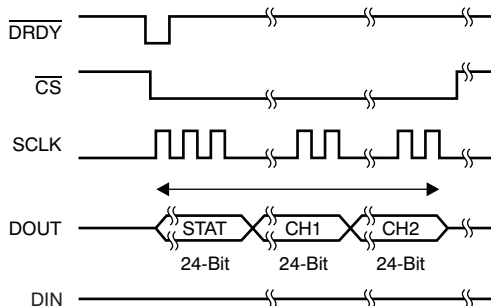


Figure 34. SPI Bus Data Output for the ADS1292 and ADS1292R (Two Channels)

## Data Retrieval

Data retrieval can be accomplished in one of two methods. The read data continuous command (see the [RDATAC: Read Data Continuous](#) section) can be used to set the device in a mode to read the data continuously without sending opcodes. The read data command (see the [RDATAC: Read Data](#) section) can be used to read just one data output from the device (see the [SPI Command Definitions](#) section for more details). The conversion data are read by shifting data out on DOUT. The MSB of the data on DOUT is clocked out on the first SCLK rising edge.  $\overline{DRDY}$  returns to high on the first SCLK falling edge. DIN should remain low for the entire read operation.

The number of bits in the data output depends on the number of channels and the number of bits per channel. For the ADS1292R, the number of data outputs is (24 status bits + 24 bits  $\times$  2 channels) = 72 bits. The format of the 24 status bits is: (1100 + LOFF\_STAT[4:0] + GPIO[1:0] + 13 '0's). The data format for each channel data is two's complement, MSB first. When channels are powered down using user register settings, the corresponding channel output is set to '0'. However, the sequence of channel outputs remains the same.

The ADS1291, ADS1292, and ADS1292R also provide a multiple readback feature. Data can be read out multiple times by simply giving more SCLKs, in which case the MSB data byte repeats after reading the last byte.

## Data Ready ( $\overline{DRDY}$ )

$\overline{DRDY}$  is an output. When it transitions low, new conversion data are ready. The  $\overline{CS}$  signal has no effect on the data ready signal. The behavior of  $\overline{DRDY}$  is determined by whether the device is in RDATAC mode or the RDATA command is being used to read data on demand. (See the [RDATAC: Read Data Continuous](#) and [RDATAC: Read Data](#) subsections of the [SPI Command Definitions](#) section for further details).

When reading data with the RDATA command, the read operation can overlap the occurrence of the next  $\overline{DRDY}$  without data corruption.

The START pin or the START command is used to place the device either in normal data capture mode or pulse data capture mode.

Figure 35 shows the relationship between  $\overline{\text{DRDY}}$ , DOUT, and SCLK during data retrieval (in case of an ADS1291, ADS1292, and ADS1292R with a selected data rate that gives 24-bit resolution). DOUT is latched out at the SCLK rising edge.  $\overline{\text{DRDY}}$  is pulled high at the SCLK falling edge. Note that  $\overline{\text{DRDY}}$  goes high on the first SCLK falling edge regardless of the status of  $\overline{\text{CS}}$  and regardless of whether data are being retrieved from the device or a command is being sent through the DIN pin.

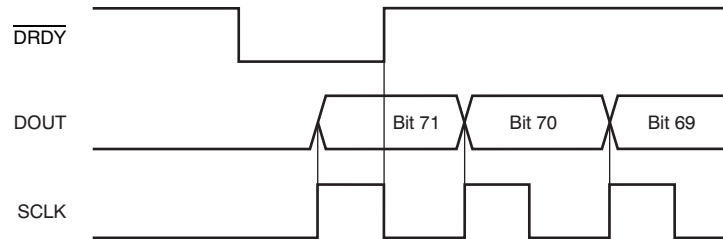


Figure 35.  $\overline{\text{DRDY}}$  with Data Retrieval ( $\overline{\text{CS}} = 0$ )

## GPIO

The ADS1291, ADS1292, and ADS1292R have a total of two general-purpose digital input/output (GPIO) pins available in the normal mode of operation. The digital I/O pins are individually configurable as either inputs or as outputs through the GPIOC bits register. The GPIOD bits in the GPIO register control the level of the pins. When reading the GPIOD bits, the data returned are the logic level of the pins, whether they are programmed as inputs or outputs. When the GPIO pin is configured as an input, a write to the corresponding GPIOD bit has no effect. When configured as an output, a write to the GPIOD bit sets the output value.

If configured as inputs, these pins must be driven (do not float). The GPIO pins are set as inputs after power-on or after a reset. Figure 36 shows the GPIO port structure. The pins should be shorted to DGND with a series resistor if not used.

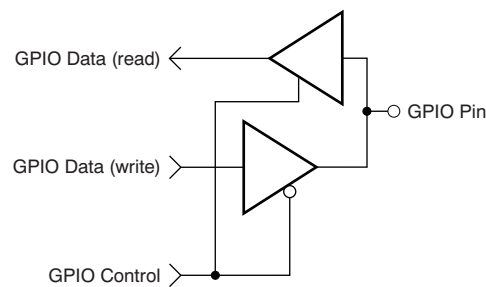


Figure 36. GPIO Port Pin

## Power-Down and Reset ( $\overline{\text{PWDN/RESET}}$ )

The  $\overline{\text{PWDN/RESET}}$  pins are shared. If  $\overline{\text{PWDN/RESET}}$  is held low for longer than  $2^9 f_{\text{MOD}}$  clock cycles, the device is powered down. The implementation is such that the device is always reset when  $\overline{\text{PWDN/RESET}}$  makes a transition from high to low. If the device is powered down it is reset first and then if  $2^{10}$  clock elapses it is powered down. Hence, all registers must be rewritten after power up.

There are two methods to reset the ADS1291, ADS1292, and ADS1292R: pull the  $\overline{\text{PWDN/RESET}}$  pin low, or send the RESET opcode command. When using the  $\overline{\text{PWDN/RESET}}$  pin, take it low to force a reset. Make sure to follow the minimum pulse width timing specifications before taking the  $\overline{\text{PWDN/RESET}}$  pin back high. The RESET command takes effect on the eighth SCLK falling edge of the opcode command. On reset it takes  $18 t_{\text{CLK}}$  cycles to complete initialization of the configuration registers to the default states and start the conversion cycle. Note that an internal RESET is automatically issued to the digital filter whenever the CONFIG1, RESP1, and RESP2 registers are set to a new value with a WREG command.

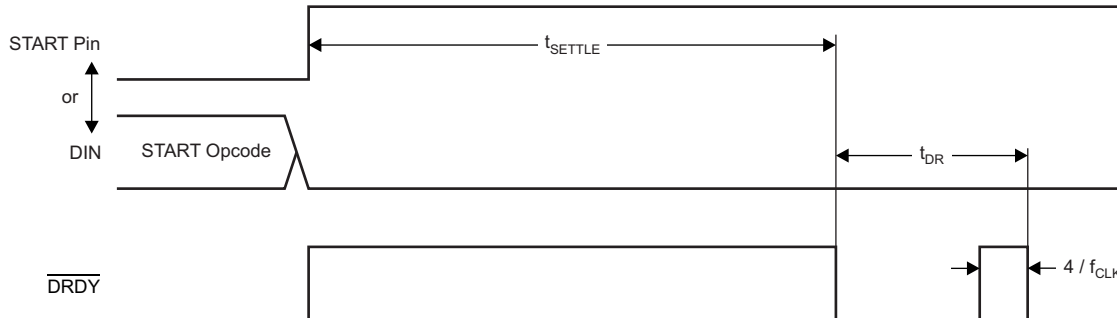
## START

The START pin must be set high or the START command sent to begin conversions. When START is low or if the START command has not been sent, the device does not issue a  $\overline{\text{DRDY}}$  signal (conversions are halted).

When using the START opcode to control conversion, hold the START pin low. The ADS1291, ADS1292, and ADS1292R feature two modes to control conversion: continuous mode and single-shot mode. The mode is selected by SINGLE\_SHOT (bit 7 of the CONFIG1 register). In multiple device configurations the START pin is used to synchronize devices (see the [Multiple Device Configuration](#) subsection of the [SPI Interface](#) section for more details).

## Settling Time

The settling time ( $t_{\text{SETTLE}}$ ) is the time it takes for the converter to output fully settled data when the START signal is pulled high. Once START is pulled high,  $\overline{\text{DRDY}}$  is also pulled high. The next  $\overline{\text{DRDY}}$  falling edge indicates that data are ready. [Figure 37](#) shows the timing diagram and [Table 11](#) shows the settling time for different data rates. The settling time depends on  $f_{\text{CLK}}$  and the decimation ratio (controlled by the DR[2:0] bits in the CONFIG1 register). Refer to [Table 10](#) for the settling time as a function of  $t_{\text{MOD}}$ . Note that when START is held high and there is a step change in the input signal, it takes  $3 t_{\text{DR}}$  for the filter to settle to the new value. Settled data are available on the fourth  $\overline{\text{DRDY}}$  pulse. Settling time number uncertainty is one  $t_{\text{MOD}}$  cycle. Therefore, it is recommended to add one  $t_{\text{MOD}}$  cycle delay before issuing SCLK to retrieve data.



(1) Settling time uncertainty is one  $t_{\text{MOD}}$  cycle.

Figure 37. Settling Time

Table 11. Settling Time for Different Data Rates

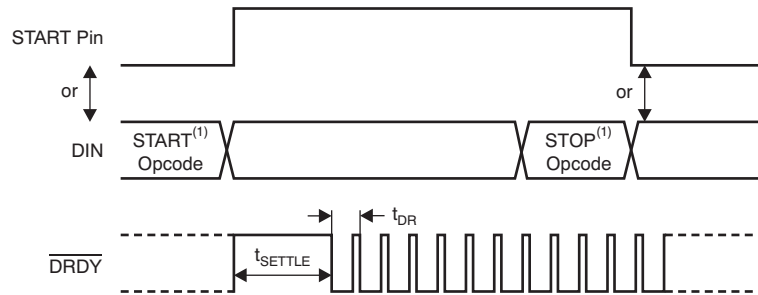
DR[2:0]	SETTLING TIME <sup>(1)</sup>	UNIT <sup>(2)</sup>
000	4100	$t_{\text{MOD}}$
001	2052	$t_{\text{MOD}}$
010	1028	$t_{\text{MOD}}$
011	516	$t_{\text{MOD}}$
100	260	$t_{\text{MOD}}$
101	132	$t_{\text{MOD}}$
110	68	$t_{\text{MOD}}$
111	—	—

(1) Settling time uncertainty is one  $t_{\text{MOD}}$  cycle.

(2)  $t_{\text{MOD}} = 4 t_{\text{CLK}}$  for CLK\_DIV = 0 and  $t_{\text{MOD}} = 16 t_{\text{CLK}}$  for CLK\_DIV = 1.

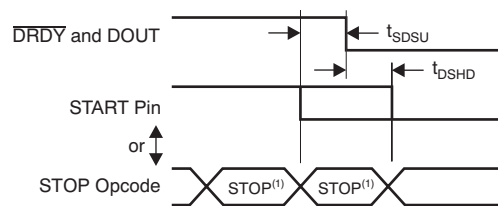
### Continuous Mode

Conversions begin when the START pin is taken high or when the START opcode command is sent. As seen in Figure 38, the DRDY output goes high when conversions are started and goes low when data are ready. Conversions continue indefinitely until the START pin is taken low or the STOP opcode command is transmitted. When the START pin is pulled low or the stop command is issued, the conversion in progress is allowed to complete. Figure 39 and Table 12 show the required  $\overline{\text{DRDY}}$  timing to the START pin and the START and STOP opcode commands when controlling conversions in this mode. To keep the converter running continuously, the START pin can be permanently tied high. Note that when switching from pulse mode to continuous mode, the START signal is pulsed or a STOP command must be issued, followed by a START command. This conversion mode is ideal for applications that require a fixed continuous stream of conversions results.



(1) START and STOP opcode commands take effect on the seventh SCLK falling edge.

**Figure 38. Continuous Conversion Mode**



(1) START and STOP commands take effect on the seventh SCLK falling edge at the end of the opcode transmission.

**Figure 39. START to  $\overline{\text{DRDY}}$  Timing**

**Table 12. Timing Characteristics for Figure 39<sup>(1)</sup>**

SYMBOL	DESCRIPTION	MIN	UNIT
$t_{\text{SDSU}}$	START pin low or STOP opcode to $\overline{\text{DRDY}}$ setup time to halt further conversions	8	$t_{\text{MOD}}$
$t_{\text{DSHD}}$	START pin low or STOP opcode to complete current conversion	8	$t_{\text{MOD}}$

(1) START and STOP commands take effect on the seventh SCLK falling edge at the end of the opcode transmission.



## Single-Shot Mode

The single-shot mode is enabled by setting the SINGLE\_SHOT bit in the CONFIG1 register to '1'. In single-shot mode, the ADS1291, ADS1292, and ADS1292R perform a single conversion when the START pin is taken high or when the START opcode command is sent. As seen in Figure 39, when a conversion is complete,  $\overline{\text{DRDY}}$  goes low and further conversions are stopped. Regardless of whether the conversion data are read or not,  $\overline{\text{DRDY}}$  remains low. To begin a new conversion, take the START pin low and then back high, or transmit the START opcode again. When switching from continuous mode to pulse mode, make sure the START signal is pulsed or issue a STOP command followed by a START command.

This conversion mode is provided for applications that require non-standard or non-continuous data rates. Issuing a START command or toggling the START pin high resets the digital filter, effectively dropping the data rate by a factor of four. Note that this mode leaves the system more susceptible to aliasing effects, requiring more complex analog anti-aliasing filters at the inputs. Loading on the host processor increases because it must toggle the START pin or send a START command to initiate a new conversion cycle.

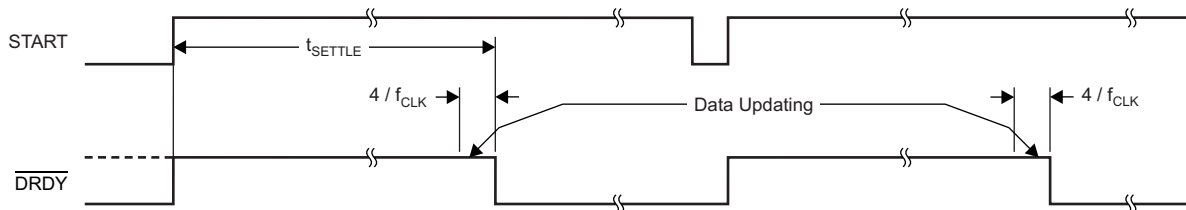


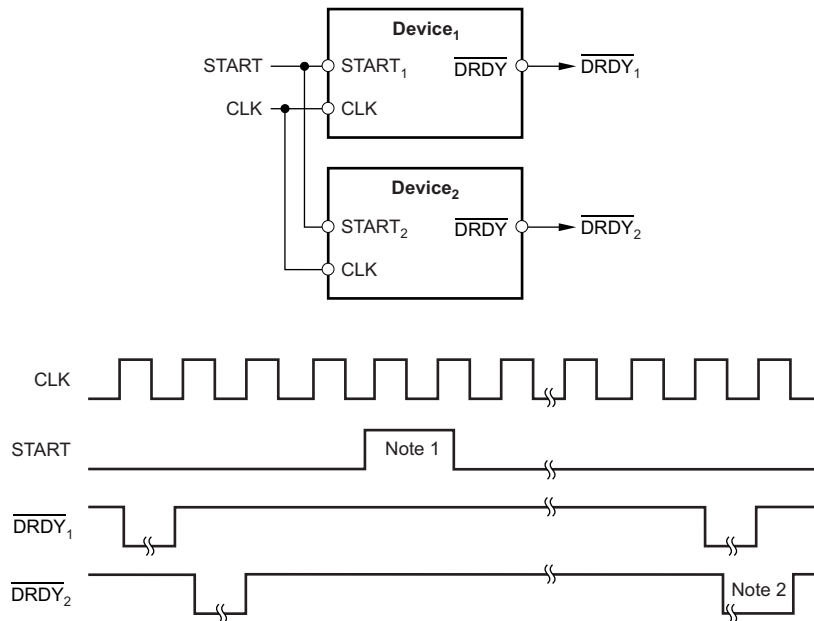
Figure 40.  $\overline{\text{DRDY}}$  with No Data Retrieval in Single-Shot Mode

## MULTIPLE DEVICE CONFIGURATION

The ADS1291, ADS1292, and ADS1292R are designed to provide configuration flexibility when multiple devices are used in a system. The serial interface typically needs four signals: DIN, DOUT, SCLK, and CS. With one additional chip select signal per device, multiple devices can be connected together. The number of signals needed to interface  $n$  devices is  $3 + n$ .

The right leg drive amplifiers can be daisy-chained as explained in the [RLD Configuration with Multiple Devices](#) subsection of the [ECG-Specific Functions](#) section. To use the internal oscillator in a daisy-chain configuration, one of the devices must be set as the master for the clock source with the internal oscillator enabled (CLKSEL pin = 1) and the internal oscillator clock brought out of the device by setting the CLK\_EN register bit to '1'. This master device clock is used as the external clock source for the other devices.

When using multiple devices, the devices can be synchronized with the START signal. The delay from START to the DRDY signal is fixed for a fixed data rate (see the [START](#) subsection of the [SPI Interface](#) section for more details on the settling times). [Figure 41](#) shows the behavior of two devices when synchronized with the START signal.

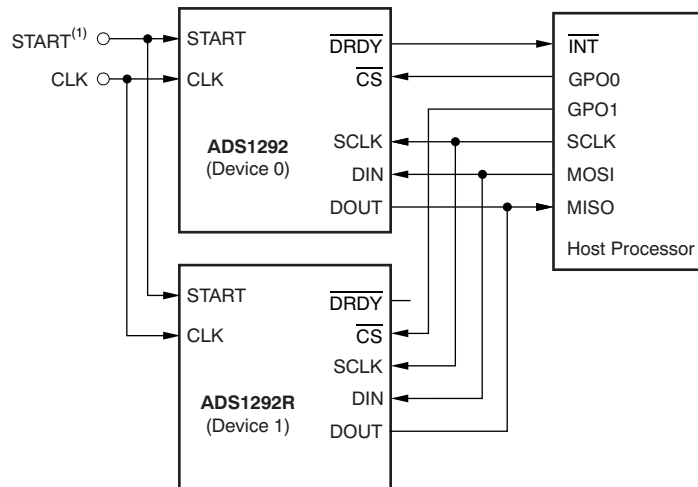


- (1) Start pulse must be at least one  $t_{MOD}$  cycle wide.
- (2) Settling time number uncertainty is one  $t_{MOD}$  cycle.

**Figure 41. Synchronizing Multiple Converters**

**Standard Mode**

[Figure 42](#) shows a configuration with two devices cascaded together. One of the devices is an ADS1292R (two-channel with RESP) and the other is an ADS1292 (two-channel). Together, they create a system with four channels. DOUT, SCLK, and DIN are shared. Each device has its own chip select. When a device is not selected by the corresponding  $\overline{CS}$  being driven to logic 1, the DOUT of this device is high-impedance. This structure allows the other device to take control of the DOUT bus.



**Figure 42. Multiple Device Configurations**

## SPI COMMAND DEFINITIONS

The ADS1291, ADS1292, and ADS1292R provide flexible configuration control. The opcode commands summarized in [Table 13](#) control and configure the ADS1291, ADS1292, and ADS1292R operation. The opcode commands are stand-alone, except for the register read and register write operations that require a second command byte plus data.  $\overline{CS}$  can be taken high or held low between opcode commands but must stay low for the entire command operation (especially for multi-byte commands). System opcode commands and the RDATA command are decoded by the ADS1291, ADS1292, and ADS1292R on the seventh SCLK falling edge. The register read and write opcodes are decoded on the eighth SCLK falling edge. Be sure to follow SPI timing requirements when pulling  $\overline{CS}$  high after issuing a command.

**Table 13. Command Definitions**

COMMAND	DESCRIPTION	FIRST BYTE	SECOND BYTE
<b>System Commands</b>			
WAKEUP	Wake-up from standby mode	0000 0010 (02h)	
STANDBY	Enter standby mode	0000 0100 (04h)	
RESET	Reset the device	0000 0110 (06h)	
START	Start or restart (synchronize) conversions	0000 1000 (08h)	
STOP	Stop conversion	0000 1010 (0Ah)	
OFFSETCAL	Channel offset calibration	0001 1010 (1Ah)	
<b>Data Read Commands</b>			
RDATAC	Enable Read Data Continuous mode. This mode is the default mode at power-up. <sup>(1)</sup>	0001 0000 (10h)	
SDATAC	Stop Read Data Continuously mode	0001 0001 (11h)	
RDATA	Read data by command; supports multiple read back.	0001 0010 (12h)	
<b>Register Read Commands</b>			
RREG	Read $n$ $nnnn$ registers starting at address $r$ $rrrr$	001 $r$ $rrrr$ (2xh) <sup>(2)</sup>	000 $n$ $nnnn$ <sup>(2)</sup>
WREG	Write $n$ $nnnn$ registers starting at address $r$ $rrrr$	010 $r$ $rrrr$ (4xh) <sup>(2)</sup>	000 $n$ $nnnn$ <sup>(2)</sup>

(1) When in RDATAC mode, the RREG command is ignored.

(2)  $n$   $nnnn$  = number of registers to be read or written – 1. For example, to read or write three registers, set  $n$   $nnnn$  = 0 (0010).  $r$   $rrrr$  = starting register address for read and write opcodes.

### WAKEUP: Exit STANDBY Mode

This opcode exits the low-power standby mode; see the [STANDBY: Enter STANDBY Mode](#) subsection of the [SPI Command Definitions](#) section. Time is required when exiting standby mode (see the [Electrical Characteristics](#) for details). **There are no restrictions on the SCLK rate for this command and it can be issued any time.** Any following command must be sent after 4  $t_{CLK}$  cycles.

### STANDBY: Enter STANDBY Mode

This opcode command enters the low-power standby mode. All parts of the circuit are shut down except for the reference section. The standby mode power consumption is specified in the [Electrical Characteristics](#). **There are no restrictions on the SCLK rate for this command and it can be issued any time.** Do not send any other command other than the wakeup command after the device enters the standby mode.

### RESET: Reset Registers to Default Values

This command resets the digital filter cycle and returns all register settings to the default values. See the [Reset \(RESET\)](#) subsection of the [SPI Interface](#) section for more details. **There are no restrictions on the SCLK rate for this command and it can be issued any time.** It takes 9  $f_{MOD}$  cycles to execute the RESET command. Avoid sending any commands during this time.

### START: Start Conversions

This opcode starts data conversions. Tie the START pin low to control conversions by command. If conversions are in progress this command has no effect. The STOP opcode command is used to stop conversions. If the START command is immediately followed by a STOP command then have a gap of 4  $t_{CLK}$  cycles between them. When the START opcode is sent to the device, keep the START pin low until the STOP command is issued. (See the [START](#) subsection of the [SPI Interface](#) section for more details.) **There are no restrictions on the SCLK rate for this command and it can be issued any time.**

### STOP: Stop Conversions

This opcode stops conversions. Tie the START pin low to control conversions by command. When the STOP command is sent, the conversion in progress completes and further conversions are stopped. If conversions are already stopped, this command has no effect. There are no restrictions on the SCLK rate for this command and it can be issued any time.

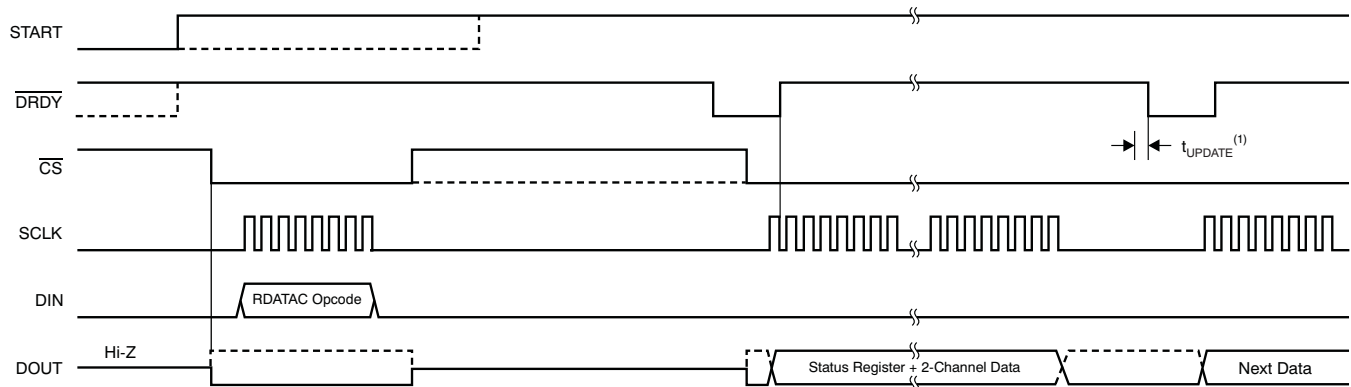
### OFFSETCAL: Channel Offset Calibration

This command is used to cancel the channel offset. The CALIB\_ON bit in the RESP2 register must be set to '1' before issuing this command. OFFSETCAL must be executed every time there is a change in the PGA gain settings.

### RDATAC: Read Data Continuous

This opcode enables the output of conversion data on each  $\overline{DRDY}$  without the need to issue subsequent read data opcodes. This mode places the conversion data in the output register and may be shifted out directly. The read data continuous mode is the device default mode; the device defaults to this mode on power-up.

RDATAC mode is cancelled by the Stop Read Data Continuous command. If the device is in RDATAC mode, a SDATAC command must be issued before any other commands can be sent to the device. There is no restriction on the SCLK rate for this command. However, the subsequent data retrieval SCLKs or the SDATAC opcode command should wait at least 4  $t_{CLK}$  cycles. RDATAC timing is shown in [Figure 43](#). As [Figure 43](#) shows, there is a *keep out* zone of 4  $t_{CLK}$  cycles around the  $\overline{DRDY}$  pulse where this command cannot be issued in. To retrieve data from the device after RDATAC command is issued, make sure either the START pin is high or the START command is issued. [Figure 43](#) shows the recommended way to use the RDATAC command. RDATAC is ideally-suited for applications such as data loggers or recorders where registers are set once and do not need to be re-configured.



(1)  $t_{UPDATE} = 4 \times t_{CLK}$ . Do not read data during this time.

Figure 43. RDATAC Usage

### SDATAC: Stop Read Data Continuous

This opcode cancels the Read Data Continuous mode. There is no restriction on the SCLK rate for this command, but the following command must wait for 4  $t_{CLK}$  cycles.

### RDATA: Read Data

Issue this command after  $\overline{DRDY}$  goes low to read the conversion result (in Stop Read Data Continuous mode). There is no restriction on the SCLK rate for this command, and there is no wait time needed for the subsequent commands or data retrieval SCLKs. To retrieve data from the device after RDATA command is issued, make sure either the START pin is high or the START command is issued. When reading data with the RDATA command, the read operation can overlap the occurrence of the next  $\overline{DRDY}$  without data corruption. Figure 44 shows the recommended way to use the RDATA command. RDATA is best suited for ECG- and EEG-type systems where register setting must be read or changed often between conversion cycles.

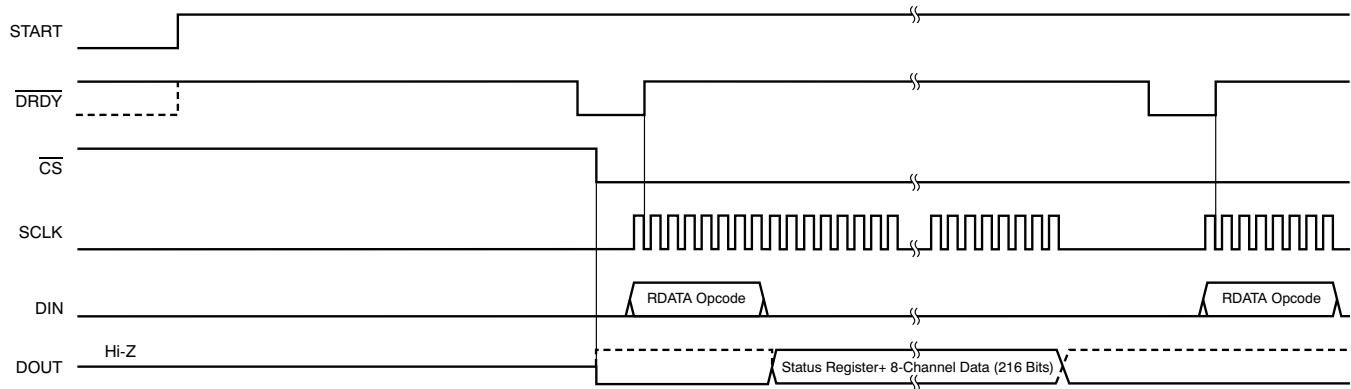


Figure 44. RDATA Usage

### Sending Multi-Byte Commands

The ADS1291, ADS1292, and ADS1292R serial interface decodes commands in bytes and requires 4  $t_{CLK}$  cycles to decode and execute. Therefore, when sending multi-byte commands, a 4  $t_{CLK}$  period must separate the end of one byte (or opcode) and the next.

Assume CLK is 512 kHz, then  $t_{SDECODE}$  (4  $t_{CLK}$ ) is 7.8125  $\mu$ s. When SCLK is 16 MHz, one byte can be transferred in 500 ns. This byte-transfer time does not meet the  $t_{SDECODE}$  specification; therefore, a delay must be inserted so the end of the second byte arrives 7.3125  $\mu$ s later. If SCLK is 1 MHz, one byte is transferred in 8  $\mu$ s. Because this transfer time exceeds the  $t_{SDECODE}$  specification, the processor can send subsequent bytes without delay. In this later scenario, the serial port can be programmed to move from single-byte transfer per cycle to multiple bytes.

### RREG: Read From Register

This opcode reads register data. The Register Read command is a two-byte opcode followed by the output of the register data. The first byte contains the command opcode and the register address. The second byte of the opcode specifies the number of registers to read – 1.

First opcode byte: 001r rrrr, where r rrrr is the starting register address.

Second opcode byte: 000n nnnn, where n nnnn is the number of registers to read – 1.

The 17th SCLK rising edge of the operation clocks out the MSB of the first register, as shown in Figure 45. When the device is in read data continuous mode it is necessary to issue a SDATAC command before the RREG command can be issued. The RREG command can be issued at any time. However, because this command is a multi-byte command, there are restrictions on the SCLK rate depending on the way the SCLKs are issued. See the [Serial Clock \(SCLK\)](#) subsection of the [SPI Interface](#) section for more details. Note that  $\overline{CS}$  must be low for the entire command.

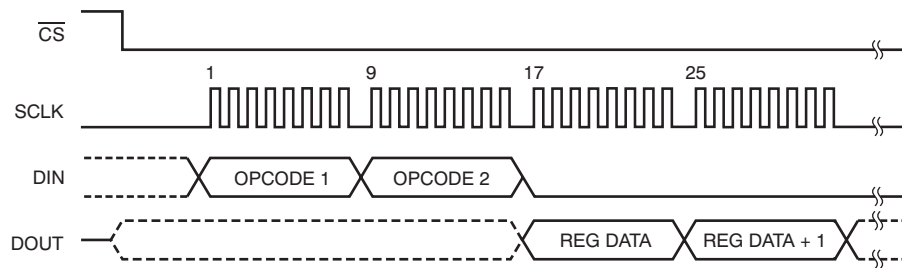


Figure 45. RREG Command Example: Read Two Registers Starting from Register 00h (ID Register) (OPCODE 1 = 0010 0000, OPCODE 2 = 0000 0001)

### WREG: Write to Register

This opcode writes register data. The Register Write command is a two-byte opcode followed by the input of the register data. The first byte contains the command opcode and the register address.

The second byte of the opcode specifies the number of registers to write – 1.

First opcode byte: 010r rrrr, where r rrrr is the starting register address.

Second opcode byte: 000n nnnn, where n nnnn is the number of registers to write – 1.

After the opcode bytes, the register data follows (in MSB-first format), as shown in Figure 46. The WREG command can be issued at any time. However, because this command is a multi-byte command, there are restrictions on the SCLK rate depending on the way the SCLKs are issued. See the [Serial Clock \(SCLK\)](#) subsection of the [SPI Interface](#) section for more details. Note that  $\overline{CS}$  must be low for the entire command.

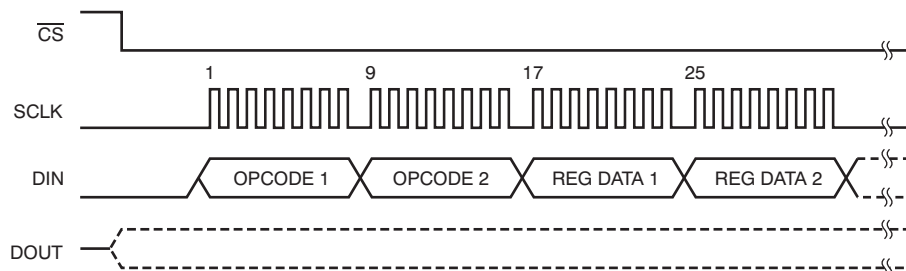


Figure 46. WREG Command Example: Write Two Registers Starting from 00h (ID Register) (OPCODE 1 = 0100 0000, OPCODE 2 = 0000 0001)

## REGISTER MAP

Table 14 describes the various ADS1291, ADS1292, and ADS1292R registers.

**Table 14. Register Assignments**

ADDRESS	REGISTER	RESET VALUE (Hex)	BIT 7	BIT 6	BIT 5	BIT 4	BIT 3	BIT 2	BIT 1	BIT 0
<b>Device Settings (Read-Only Registers)</b>										
00h	ID	XX	REV_ID7	REV_ID6	REV_ID5	1	0	0	REV_ID1	REV_ID0
<b>Global Settings Across Channels</b>										
01h	CONFIG1	02	SINGLE_SHOT	0	0	0	0	DR2	DR1	DR0
02h	CONFIG2	80	1	PDB_LOFF_COMP	PDB_REFBUF	VREF_4V	CLK_EN	0	INT_TEST	TEST_FREQ
03h	LOFF	10	COMP_TH2	COMP_TH1	COMP_TH0	1	ILEAD_OFF1	ILEAD_OFF0	0	FLEAD_OFF
<b>Channel-Specific Settings</b>										
04h	CH1SET	00	PD1	GAIN1_2	GAIN1_1	GAIN1_0	MUX1_3	MUX1_2	MUX1_1	MUX1_0
05h	CH2SET	00	PD2	GAIN2_2	GAIN2_1	GAIN2_0	MUX2_3	MUX2_2	MUX2_1	MUX2_0
06h	RLD_SENS	00	CHOP1	CHOP0	PDB_RLD	RLD_LOFF_SENS	RLD2N	RLD2P	RLD1N	RLD1P
07h	LOFF_SENS	00	0	0	FLIP2	FLIP1	LOFF2N	LOFF2P	LOFF1N	LOFF1P
08h	LOFF_STAT	00	0	CLK_DIV	0	RLD_STAT	IN2N_OFF	IN2P_OFF	IN1N_OFF	IN1P_OFF
<b>GPIO and Other Registers</b>										
09h	RESP1	00	RESP_DEMOD_EN1	RESP_MOD_EN	RESP_PH3	RESP_PH2	RESP_PH1	RESP_PH0	1	RESP_CTRL
0Ah	RESP2	02	CALIB_ON	0	0	0	0	RESP_FREQ	RLDREF_INT	1
0Bh	GPIO	0C	0	0	0	0	GPIOC2	GPIOC1	GPIOD2	GPIOD1

### User Register Description

#### ID: ID Control Register (Factory-Programmed, Read-Only)

Address = 00h

BIT 7	BIT 6	BIT 5	BIT 4	BIT 3	BIT 2	BIT 1	BIT 0
REV_ID7	REV_ID6	REV_ID5	1	0	0	REV_ID1	REV_ID0

This register is programmed during device manufacture to indicate device characteristics.

#### Bits[7:5] REV\_ID[7:5]: Revision identification

000 = Reserved  
 001 = Reserved  
 010 = ADS1x9x device  
 011 = ADS1292R device  
 100 = Reserved  
 101 = Reserved  
 110 = Reserved  
 111 = Reserved

#### Bit 4 Reads high

#### Bits[3:2] Reads low

#### Bits[1:0] REV\_ID[1:0]: Revision identification

00 = ADS1191  
 01 = ADS1192  
 10 = ADS1291  
 11 = ADS1292 and ADS1292R

**CONFIG1: Configuration Register 1**

Address = 01h

BIT 7	BIT 6	BIT 5	BIT 4	BIT 3	BIT 2	BIT 1	BIT 0
SINGLE_SHOT	0	0	0	0	DR2	DR1	DR0

This register configures each ADC channel sample rate.

**Bit 7 SINGLE\_SHOT: Single-shot conversion**  
 This bit sets the conversion mode  
 0 = Continuous conversion mode (default)  
 1 = Single-shot mode

**Bits[6:3] Must be set to '0'**

**Bits[2:0] DR[2:0]: Channel oversampling ratio**  
 These bits determine the oversampling ratio of both channel 1 and channel 2.

BIT	OVERSAMPLING RATIO	DATA RATE <sup>(1)</sup>
000	$f_{MOD} / 1024$	125 SPS
001	$f_{MOD} / 512$	250 SPS
010	$f_{MOD} / 256$	500 SPS (default)
011	$f_{MOD} / 128$	1 kSPS
100	$f_{MOD} / 64$	2 kSPS
101	$f_{MOD} / 32$	4 kSPS
110	$f_{MOD} / 16$	8 kSPS
111	Do not use	Do not use

(1)  $f_{CLK} = 512$  kHz and  $CLK\_DIV = 0$  or  $f_{CLK} = 2.048$  MHz and  $CLK\_DIV = 1$ .



**CONFIG2: Configuration Register 2**

Address = 02h

BIT 7	BIT 6	BIT 5	BIT 4	BIT 3	BIT 2	BIT 1	BIT 0
1	PDB_LOFF_COMP	PDB_REFBUF	VREF_4V	CLK_EN	0	INT_TEST	TEST_FREQ

This register configures the test signal, clock, reference, and LOFF buffer.

- Bit 7**      **Must be set to '1'**
- Bit 6**      **PDB\_LOFF\_COMP: Lead-off comparator power-down**  
 This bit powers down the lead-off comparators.  
 0 = Lead-off comparators disabled (default)  
 1 = Lead-off comparators enabled
- Bit 5**      **PDB\_REFBUF: Reference buffer power-down**  
 This bit powers down the internal reference buffer so that the external reference can be used.  
 0 = Reference buffer is powered down (default)  
 1 = Reference buffer is enabled
- Bit 4**      **VREF\_4V: Enables 4-V reference**  
 This bit chooses between 2.42-V and 4.033-V reference.  
 0 = 2.42-V reference (default)  
 1 = 4.033-V reference
- Bit 3**      **CLK\_EN: CLK connection**  
 This bit determines if the internal oscillator signal is connected to the CLK pin when an internal oscillator is used.  
 0 = Oscillator clock output disabled (default)  
 1 = Oscillator clock output enabled
- Bit 2**      **Must be set to '0'**
- Bit 1**      **INT\_TEST: Test signal selection**  
 This bit determines whether the test signal is turned on or off.  
 0 = Off (default)  
 1 = On; amplitude =  $\pm(VREFP - VREFN) / 2400$
- Bit 0**      **TEST\_FREQ: Test signal frequency**  
 This bit determines the test signal frequency.  
 0 = At dc (default)  
 1 = Square wave at 1 Hz

**LOFF: Lead-Off Control Register**

Address = 03h

BIT 7	BIT 6	BIT 5	BIT 4	BIT 3	BIT 2	BIT 1	BIT 0
COMP_TH2	COMP_TH1	COMP_TH0	1	I LEAD_OFF1	I LEAD_OFF0	0	F LEAD_OFF

This register configures the lead-off detection operation.

**Bits[7:5] COMP\_TH[2:0]: Lead-off comparator threshold**

These bits determine the lead-off comparator threshold. See the [Lead-Off Detection](#) subsection of the [ECG-Specific Functions](#) section for a detailed description.

**Comparator positive side**

- 000 = 95% (default)
- 001 = 92.5%
- 010 = 90%
- 011 = 87.5%
- 100 = 85%
- 101 = 80%
- 110 = 75%
- 111 = 70%

**Comparator negative side**

- 000 = 5% (default)
- 001 = 7.5%
- 010 = 10%
- 011 = 12.5%
- 100 = 15%
- 101 = 20%
- 110 = 25%
- 111 = 30%

**Bit 4 Must be set to '1'**

**Bits[3:2] I LEAD\_OFF[1:0]: Lead-off current magnitude**

These bits determine the magnitude of current for the current lead-off mode.

- 00 = 6 nA (default)
- 01 = 22 nA
- 10 = 6 µA
- 11 = 22 µA

**Bit 1 Must be set to '0'**

**Bit 0 F LEAD\_OFF: Lead-off frequency**

This bit selects ac or dc lead-off.

- 0 = At dc lead-off detect (default)
- 1 = At ac lead-off detect at  $f_{DR} / 4$  (500 Hz for an 2-kHz output rate)

### CH1SET: Channel 1 Settings

Address = 04h

BIT 7	BIT 6	BIT 5	BIT 4	BIT 3	BIT 2	BIT 1	BIT 0
PD1	GAIN1_2	GAIN1_1	GAIN1_0	MUX1_3	MUX1_2	MUX1_1	MUX1_0

This register configures the power mode, PGA gain, and multiplexer settings channels. See the [Input Multiplexer](#) section for details.

**Bit 7 PD1: Channel 1 power-down**

0 = Normal operation (default)  
1 = Channel 1 power-down<sup>(1)</sup>

**Bits[6:4] GAIN1[2:0]: Channel 1 PGA gain setting**

These bits determine the PGA gain setting for channel 1.

000 = 6 (default)  
001 = 1  
010 = 2  
011 = 3  
100 = 4  
101 = 8  
110 = 12

**Bits[3:0] MUX1[3:0]: Channel 1 input selection**

These bits determine the channel 1 input selection.

0000 = Normal electrode input (default)  
0001 = Input shorted (for offset measurements)  
0010 = RLD\_MEASURE  
0011 = MVDD<sup>(2)</sup> for supply measurement  
0100 = Temperature sensor  
0101 = Test signal  
0110 = RLD\_DRP (positive input is connected to RLDIN)  
0111 = RLD\_DRM (negative input is connected to RLDIN)  
1000 = RLD\_DRPM (both positive and negative inputs are connected to RLDIN)  
1001 = Route IN3P and IN3N to channel 1 inputs  
1010 = Reserved

(1) When powering down channel 1, make sure the input multiplexer is set to input short configuration. Bits[3:0] = 001.

(2) For channel 1, (MVDDP – MVDDN) is [0.5(AVDD + AVSS)]; for channel 2, (MVDDP – MVDDN) is DVDD / 4. Note that to avoid saturating the PGA while measuring power supplies, the gain must be set to '1'.

**CH2SET: Channel 2 Settings**

Address = 05h

BIT 7	BIT 6	BIT 5	BIT 4	BIT 3	BIT 2	BIT 1	BIT 0
PD2	GAIN2_2	GAIN2_1	GAIN2_0	MUX2_3	MUX2_2	MUX2_1	MUX2_0

This register configures the power mode, PGA gain, and multiplexer settings channels. See the [Input Multiplexer](#) section for details.

**Bit 7 PD2: Channel 2 power-down**

- 0 = Normal operation (default)
- 1 = Channel 2 power-down<sup>(1)</sup>

**Bits[6:4] GAIN2[2:0]: Channel 2 PGA gain setting**

These bits determine the PGA gain setting for channel 2.

- 000 = 6 (default)
- 001 = 1
- 010 = 2
- 011 = 3
- 100 = 4
- 101 = 8
- 110 = 12

**Bits[3:0] MUX2[3:0]: Channel 2 input selection**

These bits determine the channel 2 input selection.

- 0000 = Normal electrode input (default)
- 0001 = Input shorted (for offset measurements)
- 0010 = RLD\_MEASURE
- 0011 = VDD / 2 for supply measurement
- 0100 = Temperature sensor
- 0101 = Test signal
- 0110 = RLD\_DRP (positive input is connected to RLDIN)
- 0111 = RLD\_DRM (negative input is connected to RLDIN)
- 1000 = RLD\_DRPM (both positive and negative inputs are connected to RLDIN)
- 1001 = Route IN3P and IN3N to channel 2 inputs
- 1010 = Reserved

(1) When powering down channel 2 and for ADS1291, make sure the input multiplexer is set to input short configuration. Bits[3:0] = 001.

**RLD\_SENS: Right Leg Drive Sense Selection**

Address = 06h

BIT 7	BIT 6	BIT 5	BIT 4	BIT 3	BIT 2	BIT 1	BIT 0
CHOP1	CHOP0	PDB_RLD	RLD_LOFF_SENS	RLD2N	RLD2P	RLD1N	RLD1P

This register controls the selection of the positive and negative signals from each channel for right leg drive derivation. See the [Right Leg Drive \(RLD DC Bias Circuit\)](#) subsection of the [ECG-Specific Functions](#) section for details.

**Bits[7:6] CHOP[1:0]: Chop frequency**

These bits determine PGA chop frequency

 00 =  $f_{MOD} / 16$ 

01 = Reserved

 10 =  $f_{MOD} / 2$ 

 11 =  $f_{MOD} / 4$ 
**Bit 5 PDB\_RLD: RLD buffer power**

This bit determines the RLD buffer power state.

0 = RLD buffer is powered down (default)

1 = RLD buffer is enabled

**Bit 4 RLD\_LOFF\_SENSE: RLD lead-off sense function**

This bit enables the RLD lead-off sense function.

0 = RLD lead-off sense is disabled (default)

1 = RLD lead-off sense is enabled

**Bit 3 RLD2N: Channel 2 RLD negative inputs**

This bit controls the selection of negative inputs from channel 2 for right leg drive derivation.

0 = Not connected (default)

1 = RLD connected to IN2N

**Bit 2 RLD2P: Channel 2 RLD positive inputs**

This bit controls the selection of positive inputs from channel 2 for right leg drive derivation.

0 = Not connected (default)

1 = RLD connected to IN2P

**Bit 1 RLD1N: Channel 1 RLD negative inputs**

This bit controls the selection of negative inputs from channel 1 for right leg drive derivation.

0 = Not connected (default)

1 = RLD connected to IN1N

**Bit 0 RLD1P: Channel 1 RLD positive inputs**

This bit controls the selection of positive inputs from channel 1 for right leg drive derivation.

0 = Not connected (default)

1 = RLD connected to IN1P

**LOFF\_SENS: Lead-Off Sense Selection**

Address = 07h

BIT 7	BIT 6	BIT 5	BIT 4	BIT 3	BIT 2	BIT 1	BIT 0
0	0	FLIP2	FLIP1	LOFF2N	LOFF2P	LOFF1N	LOFF1P

This register selects the positive and negative side from each channel for lead-off detection. See the [Lead-Off Detection](#) subsection of the [ECG-Specific Functions](#) section for details. Note that the LOFF\_STAT register bits should be ignored if the corresponding LOFF\_SENS bits are set to '1'.

**Bits[7:6] Must be set to '0'**

**Bit 5 FLIP2: Current direction selection**

This bit controls the direction of the current used for lead-off derivation for channel 2.  
 0 = Disabled (default)  
 1 = Enabled

**Bit 4 FLIP1: Current direction selection**

This bit controls the direction of the current used for lead-off derivation for channel 1.  
 0 = Disabled (default)  
 1 = Enabled

**Bit 3 LOFF2N: Channel 2 lead-off detection negative inputs**

This bit controls the selection of negative input from channel 2 for lead-off detection.  
 0 = Disabled (default)  
 1 = Enabled

**Bit 2 LOFF2P: Channel 2 lead-off detection positive inputs**

This bit controls the selection of positive input from channel 2 for lead-off detection.  
 0 = Disabled (default)  
 1 = Enabled

**Bit 1 LOFF1N: Channel 1 lead-off detection negative inputs**

This bit controls the selection of negative input from channel 1 for lead-off detection.  
 0 = Disabled (default)  
 1 = Enabled

**Bit 0 LOFF1P: Channel 1 lead-off detection positive inputs**

This bit controls the selection of positive input from channel 1 for lead-off detection.  
 0 = Disabled (default)  
 1 = Enabled

**LOFF\_STAT: Lead-Off Status**

Address = 08h

BIT 7	BIT 6	BIT 5	BIT 4	BIT 3	BIT 2	BIT 1	BIT 0
0	CLK_DIV	0	RLD_STAT (read only)	IN2N_OFF (read only)	IN2P_OFF (read only)	IN1N_OFF (read only)	IN1P_OFF (read only)

This register stores the status of whether the positive or negative electrode on each channel is on or off. See the [Lead-Off Detection](#) subsection of the [ECG-Specific Functions](#) section for details. Ignore the LOFF\_STAT values if the corresponding LOFF\_SENS bits are not set to '1'.

'0' is lead-on (default) and '1' is lead-off. When the LOFF\_SENS bits[3:0] are '0', the LOFF\_STAT bits should be ignored.

**Bit 7**            **Must be set to '0'**

**Bit 6**            **CLK\_DIV : Clock divider selection**

This bit sets the modular divider ratio between  $f_{CLK}$  and  $f_{MOD}$ . Two external clock values are supported: 512 kHz and 2.048 MHz.

0 =  $f_{MOD} = f_{CLK} / 4$  (default, use when  $f_{CLK} = 512$  kHz)

1 =  $f_{MOD} = f_{CLK} / 16$  (use when  $f_{CLK} = 2.048$  MHz)

**Bit 5**            **Must be set to '0'**

**Bit 4**            **RLD\_STAT: RLD lead-off status**

This bit determines the status of RLD.

0 = RLD is connected (default)

1 = RLD is not connected

**Bit 3**            **IN2N\_OFF: Channel 2 negative electrode status**

This bit determines if the channel 2 negative electrode is connected or not.

0 = Connected (default)

1 = Not connected

**Bit 2**            **IN2P\_OFF: Channel 2 positive electrode status**

This bit determines if the channel 2 positive electrode is connected or not.

0 = Connected (default)

1 = Not connected

**Bit 1**            **IN1N\_OFF: Channel 1 negative electrode status**

This bit determines if the channel 1 negative electrode is connected or not.

0 = Connected (default)

1 = Not connected

**Bit 0**            **IN1P\_OFF: Channel 1 positive electrode status**

This bit determines if the channel 1 positive electrode is connected or not.

0 = Connected (default)

1 = Not connected

**RESP1: Respiration Control Register 1**

Address = 09h

BIT 7	BIT 6	BIT 5	BIT 4	BIT 3	BIT 2	BIT 1	BIT 0
RESP_DEMOD_EN1	RESP_MOD_EN	RESP_PH3	RESP_PH2	RESP_PH1	RESP_PH0	1	RESP_CTRL

This register controls the respiration functionality. This register applies to the ADS1292R version only. For the ADS1291 and ADS1292 devices, 02h must be written to the RESP1 register.

**Bit 7      RESP\_DEMOD\_EN1: Enables respiration demodulation circuitry**

This bit enables and disables the demodulation circuitry on channel 1.  
 0 = RESP demodulation circuitry turned off (default)  
 1 = RESP demodulation circuitry turned on

**Bit 6      RESP\_MOD\_EN: Enables respiration modulation circuitry**

This bit enables and disables the modulation circuitry on channel 1.  
 0 = RESP modulation circuitry turned off (default)  
 1 = RESP modulation circuitry turned on

**Bits[5:2]      RESP\_PH[3:0]: Respiration phase<sup>(1)</sup>**

These bits control the phase of the respiration demodulation control signal.

RESP_PH[3:0]	RESP_CLK = 32kHz	RESP_CLK = 64 kHz
0000	0° (default)	0° (default)
0001	11.25°	22.5°
0010	22.5°	45°
0011	33.75°	67.5°
0100	45°	90°
0101	56.25°	112.5°
0110	67.5°	135°
0111	78.75°	157.5°
1000	90°	Not available
1001	101.25°	Not available
1010	112.5°	Not available
1011	123.75°	Not available
1100	135°	Not available
1101	146.25°	Not available
1110	157.5°	Not available
1111	168.75°	Not available

(1) The RESP\_PH3 bit is ignored when RESP\_CLK = 64 kHz.

**Bit 1      Must be set to '1'**

**Bit 0      RESP\_CTRL: Respiration control**

This bit sets the mode of the respiration circuitry.  
 0 = Internal respiration with internal clock  
 1 = Internal respiration with external clock



## RESP2: Respiration Control Register 2

Address = 0Ah

BIT 7	BIT 6	BIT 5	BIT 4	BIT 3	BIT 2	BIT 1	BIT 0
CALIB_ON	0	0	0	0	RESP_FREQ	RLDREF_INT	1

This register controls the respiration and calibration functionality.

**Bit 7 CALIB\_ON: Calibration on**

 This bit is used to enable offset calibration.  
 0 = Off (default)  
 1 = On

**Bits[6:3] Must be '0'**
**Bit 2 RESP\_FREQ: Respiration control frequency (ADS1292R only)**

 This bit controls the respiration control frequency when RESP\_CTRL = 0. This bit must be written with '1' for the ADS1291 and ADS1292.  
 0 = 32 kHz (default)  
 1 = 64 kHz

**Bit 1 RLDREF\_INT: RLDREF signal**

 This bit determines the RLDREF signal source.  
 0 = RLDREF signal fed externally  
 1 = RLDREF signal (AVDD – AVSS) / 2 generated internally (default)

**Bit 0 Must be set to '1'**

## GPIO: General-Purpose I/O Register

Address = 0Bh

BIT 7	BIT 6	BIT 5	BIT 4	BIT 3	BIT 2	BIT 1	BIT 0
0	0	0	0	GPIOC2	GPIOC1	GPIOD2	GPIOD1

This register controls the GPIO pins.

**Bits[7:4] Must be '0'**
**Bits[3:2] GPIOC[2:1]: GPIO 1 and 2 control**

 These bits determine if the corresponding GPIOD pin is an input or output.  
 0 = Output  
 1 = Input (default)

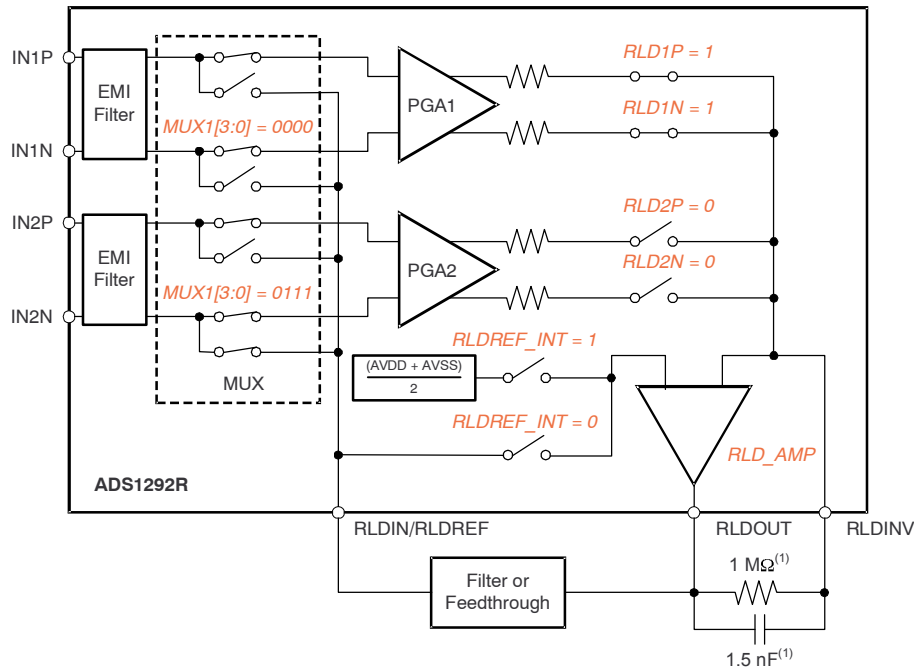
**Bits[1:0] GPIOD[2:1]: GPIO 1 and 2 data**

 These bits are used to read and write data to the GPIO ports.  
 When reading the register, the data returned correspond to the state of the GPIO external pins, whether they are programmed as inputs or as outputs. As outputs, a write to the GPIOD sets the output value. As inputs, a write to the GPIOD has no effect. GPIO is not available in certain respiration modes.

## ECG-SPECIFIC FUNCTIONS

### INPUT MULTIPLEXER (REROUTING THE RIGHT LEG DRIVE SIGNAL)

The input multiplexer has ECG-specific functions for the right leg drive signal. The RLD signal is available at the RLDOUT pin once the appropriate channels are selected for RLD derivation, feedback elements are installed external to the chip, and the loop is closed. This signal can be fed after filtering or fed directly into the RLDIN pin, as shown in Figure 47. This RLDIN signal can be multiplexed into any one of the input electrodes by setting the MUX bits of the appropriate channel set registers to '0110' for P-side or '0111' for N-side. Figure 47 shows the RLD signal generated from channel 1 and routed to the N-side of channel 2. This feature can be used to dynamically change the electrode that is used as the reference signal to drive the patient body. Note that the corresponding channel cannot be used and can be powered down.

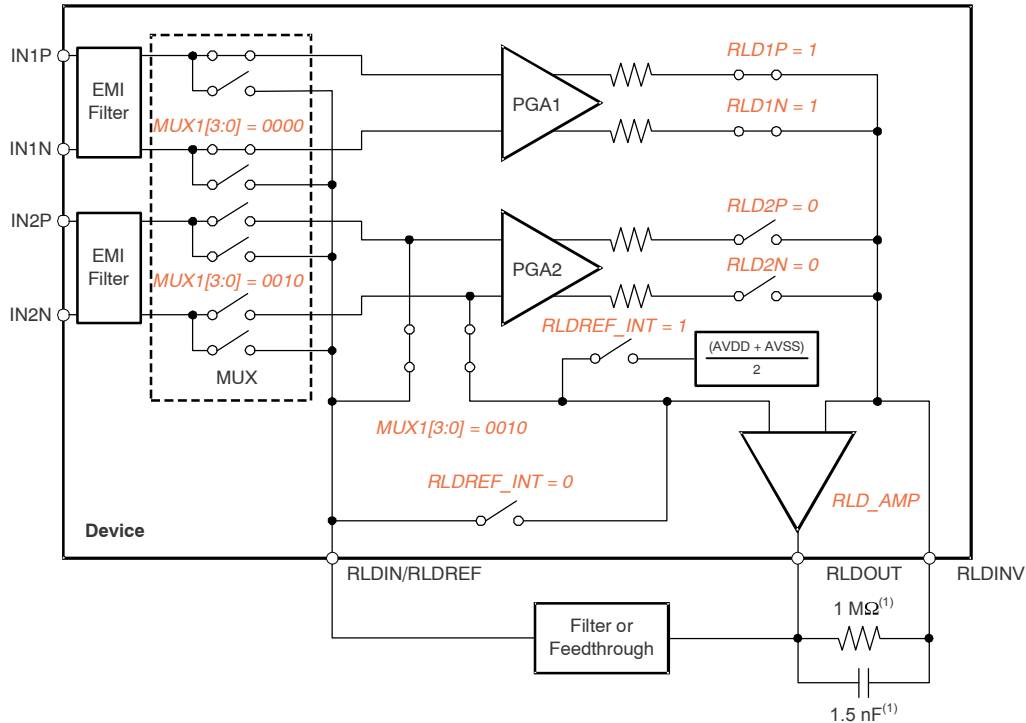


(1) Typical values for example only.

**Figure 47. Example RLDOUT Signal Configured to be Routed to IN2N**

### Input Multiplexer (Measuring the Right Leg Drive Signal)

The RLDOUT signal can also be routed to a channel (that is not used for the calculation of RLD) for measurement. Figure 48 shows the register settings to route the RLDIN signal to channel 2. The measurement is done with respect to the voltage  $(AVDD + AVSS) / 2$ . This feature is useful for debugging purposes during product development.



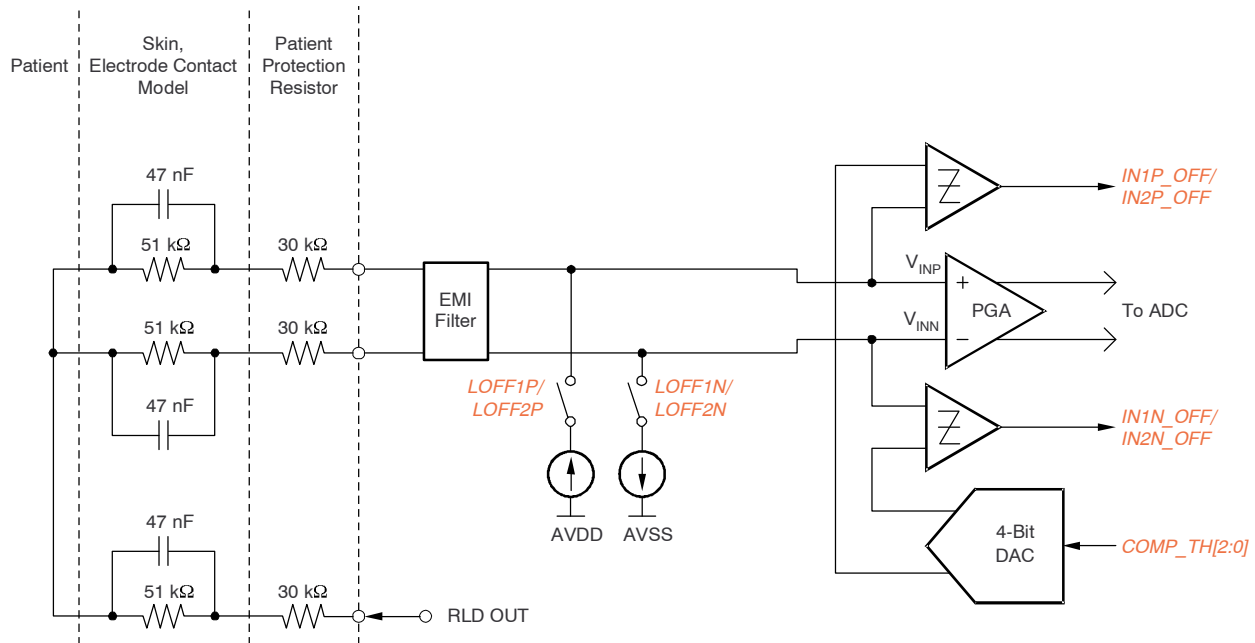
(1) Typical values for example only.

**Figure 48. RLDOUT Signal Configured to be Read Back by Channel 2**

## LEAD-OFF DETECTION

Patient electrode impedances are known to decay over time. It is necessary to continuously monitor these electrode connections to verify a suitable connection is present. The ADS1291, ADS1292, and ADS1292R lead-off detection functional block provides significant flexibility to the user to choose from various lead-off detection strategies. Though called lead-off detection, this is in fact an *electrode-off* detection.

The basic principle is to inject an excitation signal and measure the response to find out if the electrode is off. As shown in the lead-off detection functional block diagram in Figure 49, this circuit provides two different methods of determining the state of the patient electrode. The methods differ in the frequency content of the excitation signal. Lead-off can be selectively done on a per channel basis using the LOFF\_SENS register. Also, the internal excitation circuitry can be disabled and just the sensing circuitry can be enabled.



NOTE: The  $R_P$  value must be selected in order to be below the maximum allowable current flow into a patient (in accordance with the relevant specification the latest revision of IEC 60601).

Figure 49. Lead-Off Detection

## DC Lead-Off

In this method, the lead-off excitation is with a dc signal. The dc excitation signal can be chosen from either an external pull-up or pull-down resistor or a current source or sink, as shown in Figure 50. One side of the channel is pulled to supply and the other side is pulled to ground. The internal current source and current sink can be swapped by setting the FLIP1 and FLIP2 bits in the LOFF\_SENS register. In case of current source or sink, the magnitude of the current can be set by using the ILEAD\_OFF[1:0] bits in the LOFF register. The current source or sink gives larger input impedance compared to the 10-M $\Omega$  pull-up or pull-down resistor.

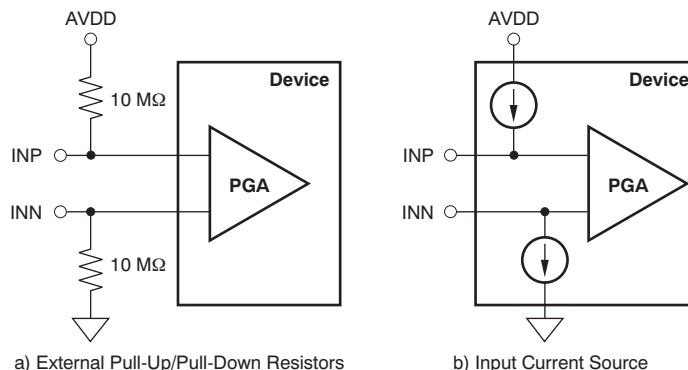


Figure 50. DC Lead-Off Excitation Options

Sensing of the response can be done either by looking at the digital output code from the device or by monitoring the input voltages with an on-chip comparator. If either of the electrodes is off, the pull-up resistors and the pull-down resistors saturate the channel. By looking at the output code it can be determined that either the P-side or the N-side is off. To pinpoint which one is off, the comparators must be used. The input voltage is also monitored using a comparator and a 4-bit digital-to-analog converter (DAC) whose levels are set by the COMP\_TH[2:0] bits in the LOFF register. The output of the comparators are stored in the LOFF\_STAT register. These two registers are available as a part of the output data stream. (See the [Data Output Protocol \(DOUT\)](#) subsection of the [SPI Interface](#) section.) If dc lead-off is not used, the lead-off comparators can be powered down by setting the PD\_LOFF\_COMP bit in the CONFIG2 register.

An example procedure to turn on dc lead-off is given in the [Lead-Off](#) subsection of the [Quick-Start Guide](#) section.

## AC Lead-Off

In this method, an out-of-band ac signal is used for excitation. The ac signal is generated by alternatively providing an internal current source and current sink at the input with a fixed frequency. The excitation frequency is a function of the output data rate and is  $f_{DR} / 4$ . This out-of-band excitation signal is passed through the channel and measured at the output.

Sensing of the ac signal is done by passing the signal through the channel to digitize it and measure at the output. The ac excitation signals are introduced at a frequency that is above the band of interest, generating an out-of-band differential signal that can be filtered out separately and processed. By measuring the magnitude of the excitation signal at the output spectrum, the lead-off status can be calculated. Therefore, the ac lead-off detection can be accomplished simultaneously with the ECG signal acquisition.

## RLD Lead-Off

The ADS1291, ADS1292, and ADS1292R provide two modes for determining whether the RLD is correctly connected:

- RLD lead-off detection during normal operation
- RLD lead-off detection during power-up

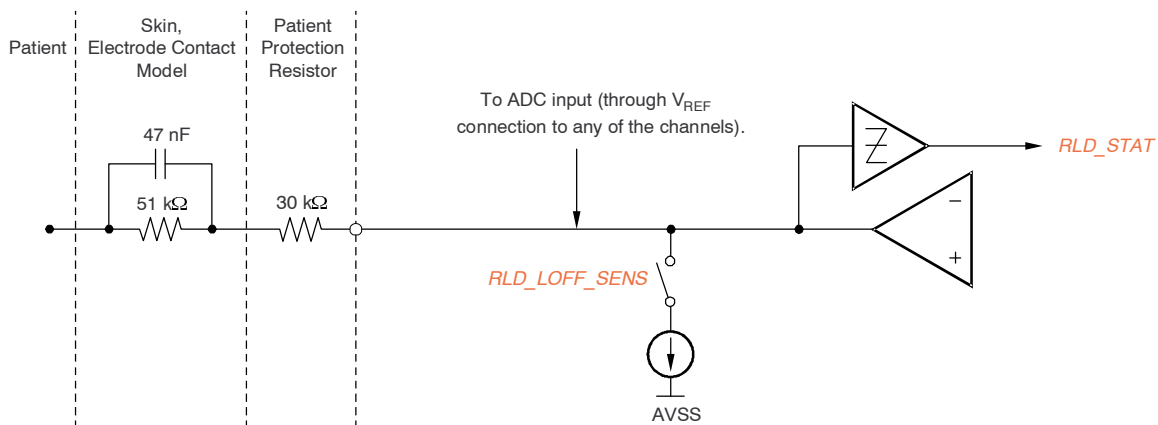
The following sections provide details of the two modes of operation.

### RLD Lead-Off Detection During Normal Operation

During normal operation, the ADS1291, ADS1292, and ADS1292R RLD lead-off at power-up function cannot be used because it is necessary to power off the RLD amplifier.

### RLD Lead-Off Detection At Power-Up

This feature is included in the ADS1291, ADS1292, and ADS1292R for use in determining whether the right leg electrode is suitably connected. At power-up, the ADS1291, ADS1292, and ADS1292R provides a procedure to determine the RLD electrode connection status using a current sink, as shown in Figure 51. The reference level of the comparator is set to determine the acceptable RLD impedance threshold.



NOTE: The  $R_P$  value must be selected in order to be below the maximum allowable current flow into a patient (in accordance with the relevant specification the latest revision of IEC 60601).

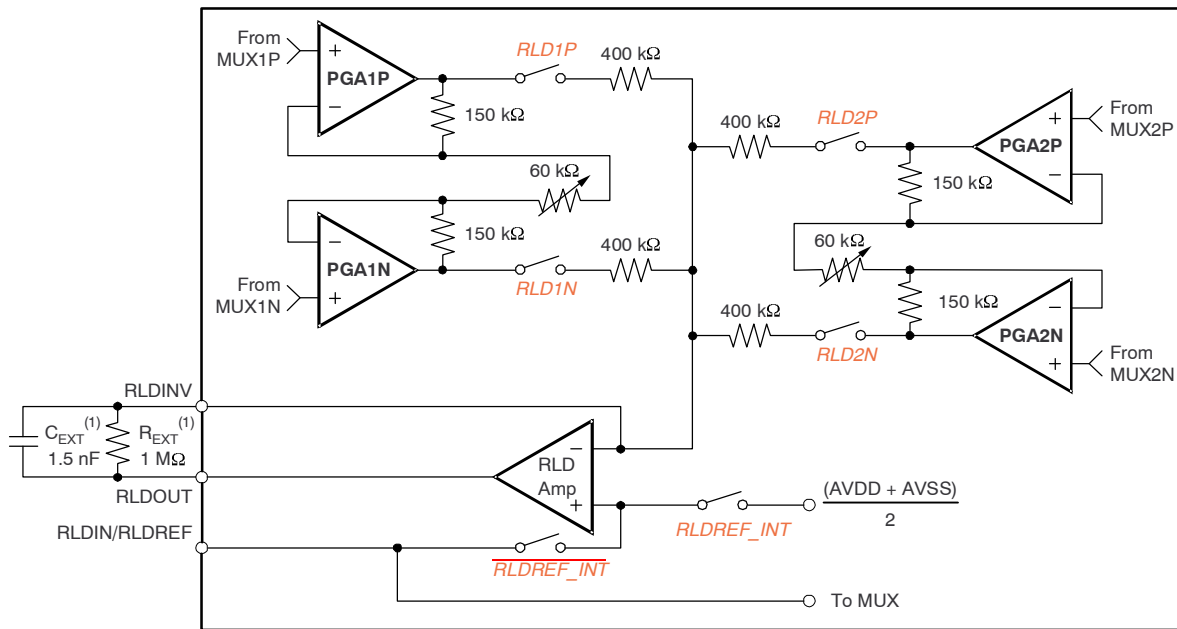
**Figure 51. RLD Lead-Off Detection at Power-Up**

When the RLD amplifier is powered on, the current source has no function. Only the comparator can be used to sense the voltage at the output of the RLD amplifier. The comparator thresholds are set by the same LOFF[7:5] bits used to set the thresholds for other negative inputs.

### Right Leg Drive (RLD DC Bias Circuit)

The right leg drive (RLD) circuitry is used as a means to counter the common-mode interference in a ECG system as a result of power lines and other sources, including fluorescent lights. The RLD circuit senses the common-mode of a selected set of electrodes and creates a negative feedback loop by driving the body with an inverted common-mode signal. The negative feedback loop restricts the common-mode movement to a narrow range, depending on the loop gain. Stabilizing the entire loop is specific to the individual user system based on the various poles in the loop. The ADS1291, ADS1292, and ADS1292R integrates the muxes to select the channel and an operational amplifier. All the amplifier terminals are available at the pins, allowing the user to choose the components for the feedback loop. The circuit shown in Figure 52 shows the overall functional connectivity for the RLD bias circuit.

The reference voltage for the right leg drive can be chosen to be internally generated  $(AVDD + AVSS) / 2$  or it can be provided externally with a resistive divider. The selection of an internal versus external reference voltage for the RLD loop is defined by writing the appropriate value to the RLDREF\_INT bit in the RESP2 register.



(1) Typical values.

Figure 52. RLD Channel Selection

If the RLD function is not used, the amplifier can be powered down using the PDB\_RLD bit. This bit is also used in daisy-chain mode to power-down all but one of the RLD amplifiers.

The functionality of the RLDIN pin is explained in the [Input Multiplexer](#) section.

### RLD Configuration with Multiple Devices

Figure 53 shows multiple devices connected to an RLD.

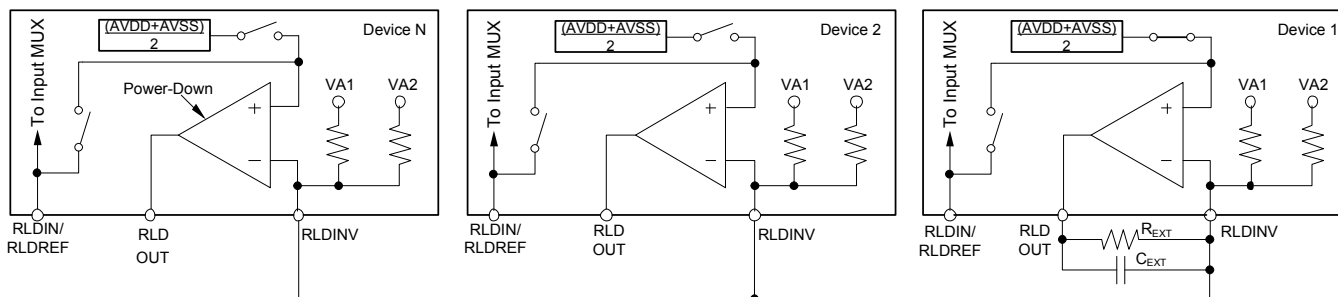


Figure 53. RLD Connection for Multiple Devices

### PACE DETECT

The ADS1291 and ADS1292 provide flexibility for PACE detection by using an external hardware. The external hardware approach is made possible by bringing out the output of the PGA at pins: PGA1P, PGA1N and PGA2P, PGA2N.

External hardware circuitry can be used to detect the presence of the pulse. The output of the PACE detection logic can then be fed into the device through one of the GPIO pins. The GPIO data are transmitted through the SPI port and loaded  $2 t_{CLKS}$  before  $\overline{DRDY}$  goes low.

When in pace detection mode, the chopping ripple can interfere with pace detect in hardware. It is therefore preferred to chop the PGA at a higher frequency (32 kHz or 64 kHz). The RC filter at the PGA output, suppresses this ripple to a reasonable level. Additionally, suppression can be obtained with an additional RC stage. The trade-off with chopping the PGA at a higher frequency is an increase in the input bias current. Figure 6 shows bias current versus input voltage for three different chop frequencies.

### RESPIRATION

The ADS1292R provides two options for respiration: internal respiration with external clock and internal respiration with internal clock, as shown in Table 15.

Table 15. Respiration Control

RESP_CTRL	DESCRIPTION
0	Internal respiration with internal clock
1	Internal respiration with external clock



### Internal Respiration Circuitry with Internal Clock (ADS1292R)

This mode is set by `RESP_CTRL = 0`. Figure 54 shows a block diagram of the internal respiration circuitry. The internal modulation and demodulation circuitry can be selectively used. The modulation block is controlled by the `RESP_MOD_EN` bit and the demodulation block is controlled by the `RESP_DEMOD_EN` bit. The modulation signal is a square wave of the magnitude  $V_{REFP} - AVSS$ . When the internal modulation circuitry is used, the output of the modulation circuitry is available at the `RESP_MODP` and `RESP_MODM` pins of the device. This availability allows custom filtering to be added to the square wave modulation signal. In this mode, `GPIO1` and `GPIO2` can be used for other purposes. The modulation frequency of the respiration circuit is set by the `RESP_FREQ` bits.

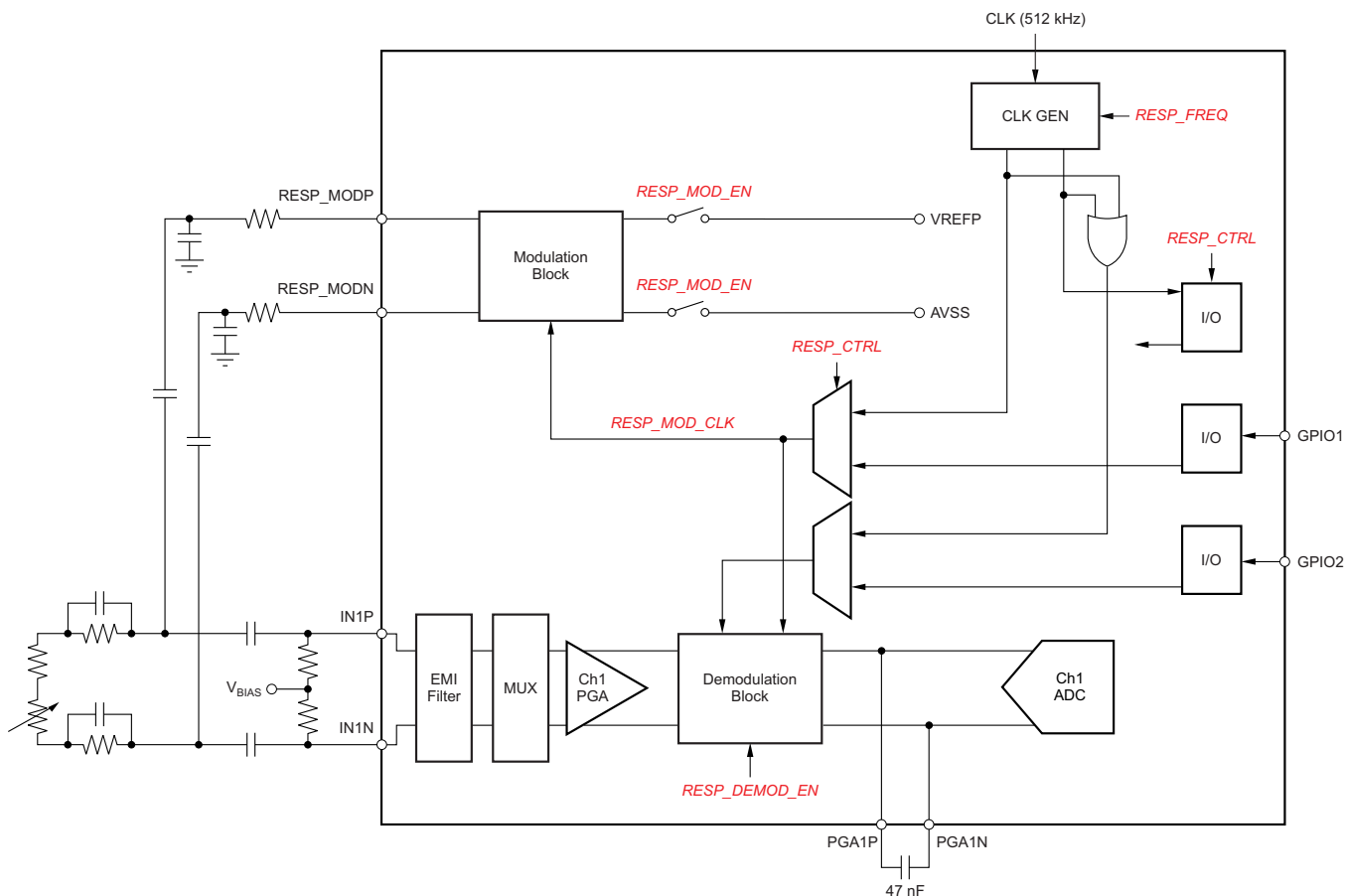


Figure 54. Internal Respiration Timing Diagram

### Internal Respiration Circuitry with External Clock (ADS1292R)

This mode is set by `RESP_CTRL = 1`. In this mode GPIO1 and GPIO2 are automatically configured as inputs. GPIO1 and GPIO2 cannot be used for other purposes. The signals must be provided as described in [Figure 55](#).

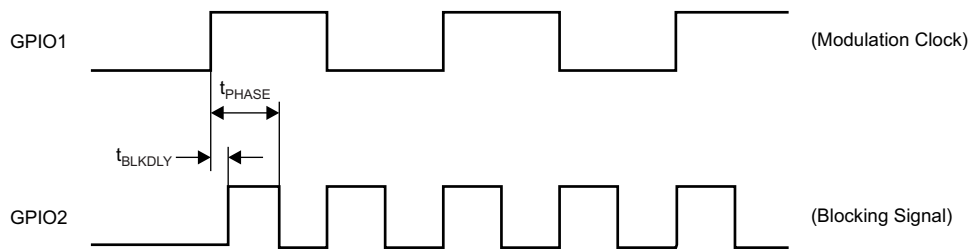


Figure 55. Internal Respiration (`RESP_CTRL = 1`) Timing Diagram

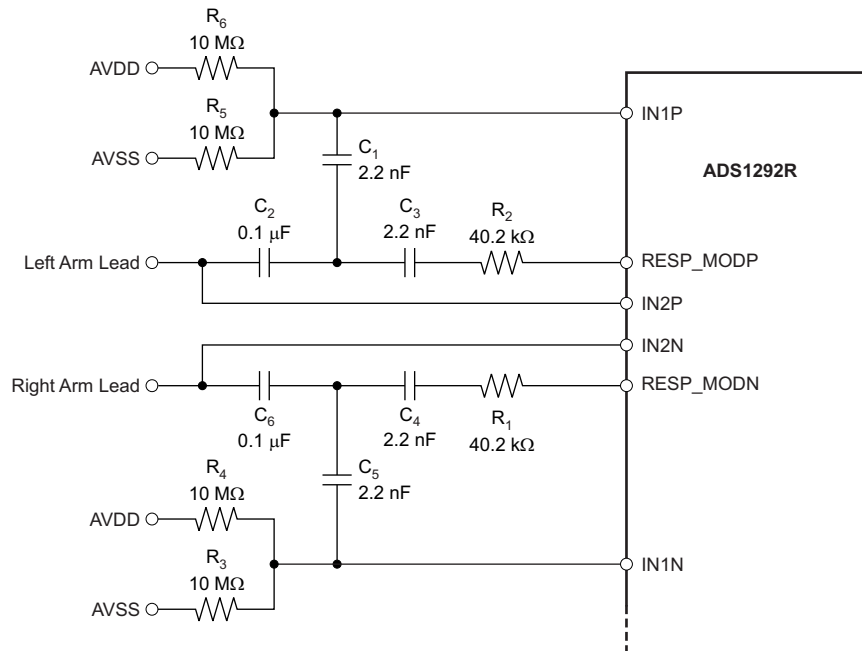
Table 16. Timing Characteristics for [Figure 55](#)<sup>(1)</sup>

PARAMETER	DESCRIPTION	1.65 V ≤ DVDD ≤ 3.6 V			UNIT
		MIN	TYP	MAX	
$t_{PHASE}$	Respiration phase delay	0		168.75	Degrees
$t_{BLKDLY}$	Modulation clock rising edge to XOR signal		0	5	ns

(1) Specifications apply from  $-40^{\circ}\text{C}$  to  $+85^{\circ}\text{C}$ .

### ADS1292R Application

The ADS1292R channel 1 with respiration enabled mode cannot be used to acquire ECG signals. If the right arm (RA) and left arm (LA) leads are intended to measure respiration and ECG signals, the two leads can be wired into channel 1 for respiration and channel 2 for ECG signals, as shown in [Figure 56](#).



NOTE: Patient and input protection circuitry not shown.

Figure 56. Typical Respiration Circuitry

Figure 57 shows a respiration test circuit. Figure 58 and Figure 59 plot noise on channel 1 for the ADS1292R as baseline impedance, gain, and phase are swept. The x-axis is the baseline impedance, normalized to a 30- $\mu$ A modulation current (as shown in Equation 11).

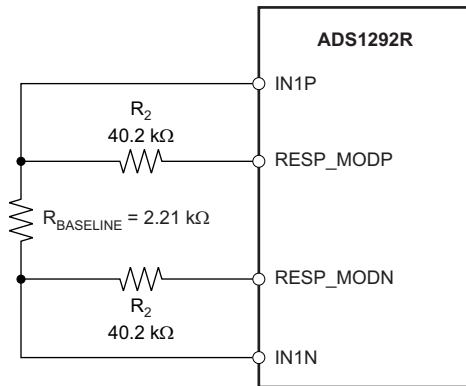


Figure 57. Respiration Noise Test Circuit

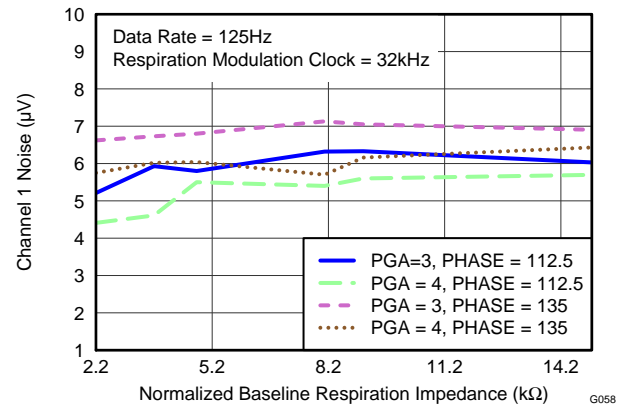


Figure 58. Channel 1 Noise versus Impedance for 32-kHz Modulation Clock and Phase (BW = 32 Hz, Respiration Modulation Clock = 32 kHz)

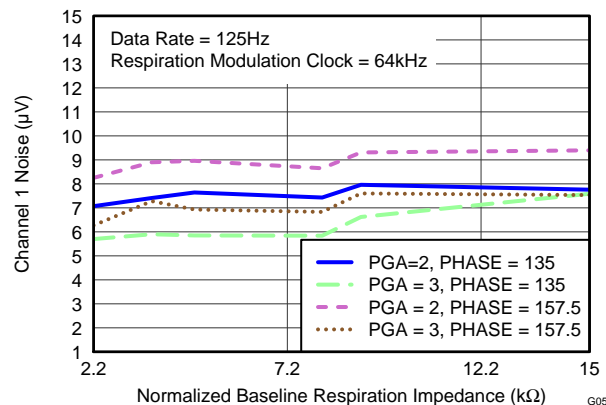


Figure 59. Channel 1 Noise versus Impedance for 64-kHz Modulation Clock and Phase (BW = 32 Hz, Respiration Modulation Clock = 64 kHz)

$$R_{\text{NORMALIZED}} = \frac{R_{\text{ACTUAL}} \times I_{\text{ACTUAL}}}{30 \mu\text{A}}$$

where:

$R_{\text{ACTUAL}}$  is the baseline body impedance,

$I_{\text{ACTUAL}}$  is the modulation current, as calculated by  $(V_{\text{REFP}} - AV_{\text{SS}})$  divided by the impedance of the modulation circuit. (11)

For example, if modulation frequency = 32 kHz,  $R_{\text{ACTUAL}} = 3 \text{ k}\Omega$ ,  $I_{\text{ACTUAL}} = 50 \mu\text{A}$ , and  $R_{\text{NORMALIZED}} = (3 \text{ k}\Omega \times 50 \mu\text{A}) / 29 \mu\text{A} = 5.1 \text{ k}\Omega$ .

Referring to Figure 58 and Figure 59, it can be noted that gain = 4 and phase = 112.5° yield the best performance at 4.6  $\mu\text{V}_{\text{PP}}$ . Low-pass filtering this signal with a high-order 2-Hz cutoff can reduce the noise to less than 1200 nV<sub>PP</sub>. The impedance resolution is 1200 nV<sub>PP</sub> / 30  $\mu\text{A}$  = 40 m $\Omega$ .

When the modulation frequency is 32 kHz, gains of 3 and 4 and phase of 112.5° and 135° are recommended.

When the modulation frequency is 64 kHz, gains of 2 and 3 and phase of 135° and 157° are recommended for best performance.

## QUICK-START GUIDE

### PCB LAYOUT

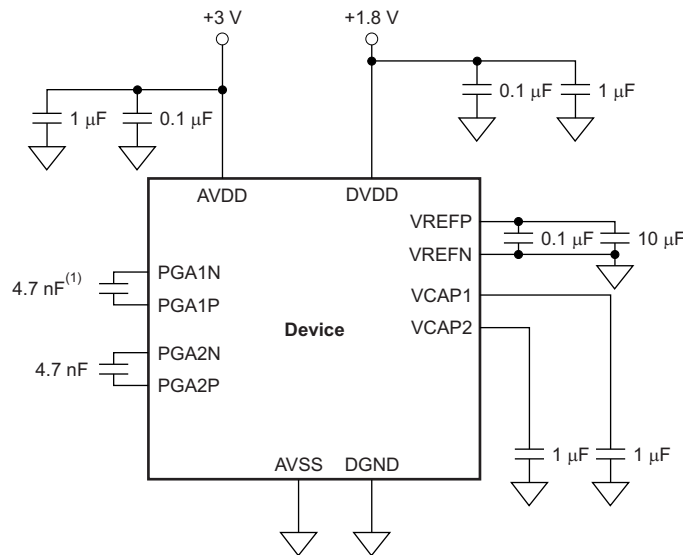
#### Power Supplies and Grounding

The ADS1291, ADS1292, and ADS1292R have two supplies: AVDD and DVDD. AVDD should be as quiet as possible. AVDD provides the supply to the charge pump block and has transients at  $f_{CLK}$ . It is important to eliminate noise from AVDD that is non-synchronous with the ADS1291, ADS1292, and ADS1292R operation. Each ADS1291, ADS1292, and ADS1292R supply should be bypassed with 10- $\mu$ F and a 0.1- $\mu$ F solid ceramic capacitors. It is recommended that placement of the digital circuits (such as the DSP, microcontrollers, and FPGAs) in the system is done such that the return currents on those devices do not cross the ADS1291, ADS1292, and ADS1292R analog return path. The ADS1291, ADS1292, and ADS1292R can be powered from unipolar or bipolar supplies.

The capacitors used for decoupling can be of the surface-mount, low-cost, low-profile multi-layer ceramic type. In most cases the VCAP1 capacitor can also be a multi-layer ceramic, but in systems where the board is subjected to high or low frequency vibration, it is recommend that a non-ferroelectric capacitor such as a tantalum or class 1 capacitor (for example, C0G or NPO) be installed. EIA class 2 and class 3 dielectrics (such as X7R, X5R, X8R, and such) are ferroelectric. The piezoelectric property of these capacitors can appear as electrical noise coming from the capacitor. When using internal reference, noise on the VCAP1 node results in performance degradation.

#### Connecting the Device to Unipolar (+3 V or +1.8 V) Supplies

Figure 60 illustrates the ADS1291, ADS1292, and ADS1292R connected to a unipolar supply. In this example, the analog supply (AVDD) is referenced to analog ground (AVSS) and the digital supply (DVDD) is referenced to digital ground (DGND).



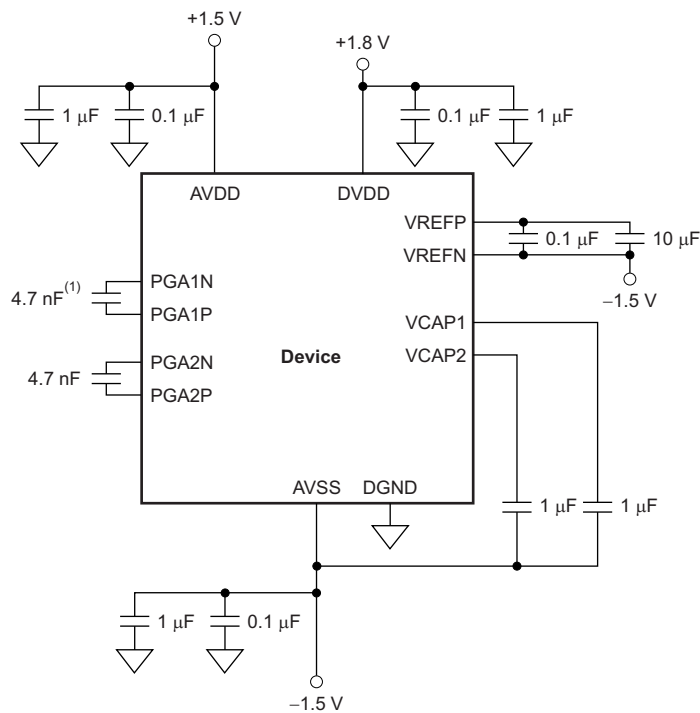
NOTE: Place the capacitors for supply, reference, VCAP1, and VCAP2 as close to the package as possible.

(1) When using the ADS1292R and the channel 1 respiration function, this capacitor must be 47 nF.

**Figure 60. Single-Supply Operation**

### Connecting the Device to Bipolar ( $\pm 1.5$ V or 1.8 V) Supplies

Figure 61 illustrates the ADS1291, ADS1292, and ADS1292R connected to a bipolar supply. In this example, the analog supplies connect to the device analog supply (AVDD). This supply is referenced to the device analog ground return (AVSS), and the digital supply (DVDD) is referenced to the device digital ground return (DGND).



NOTE: Place the capacitors for supply, reference, VCAP1, and VCAP2 as close to the package as possible.

(1) When using the ADS1292R and the channel 1 respiration function, this capacitor must be 47 nF.

**Figure 61. Bipolar Supply Operation**

### Shielding Analog Signal Paths

As with any precision circuit, careful PCB layout ensures the best performance. It is essential to make short, direct interconnections and avoid stray wiring capacitance—particularly at the analog input pins and AVSS. These analog input pins are high-impedance and extremely sensitive to extraneous noise. The AVSS pin should be treated as a sensitive analog signal and connected directly to the supply ground with proper shielding. Leakage currents between the PCB traces can exceed the ADS1291, ADS1292, and ADS1292R input bias current if shielding is not implemented. Digital signals should be kept as far as possible from the analog input signals on the PCB.

## POWER-UP SEQUENCING

Before device power-up, all digital and analog inputs must be low. At the time of power-up, all of these signals should remain low until the power supplies have stabilized, as shown in Figure 62. At this time, begin supplying the master clock signal to the CLK pin. Wait for time  $t_{POR}$ , then transmit a RESET pulse. After releasing RESET, the configuration register must be programmed, see the *CONFIG1: Configuration Register 1* subsection of the *Register Map* section for details. The power-up sequence timing is shown in Table 17.

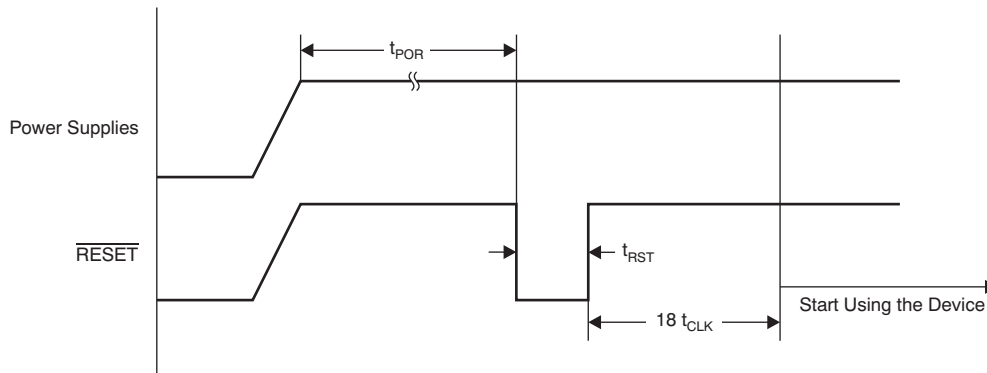


Figure 62. Power-Up Timing Diagram

Table 17. Power-Up Sequence Timing

SYMBOL	DESCRIPTION	MIN	TYP	MAX	UNIT
$t_{POR}$	Wait after power-up until reset	$2^{12}$			$t_{MOD}$
$t_{RST}$	Reset low width	1			$t_{MOD}$

## SETTING THE DEVICE FOR BASIC DATA CAPTURE

This section outlines the procedure to configure the device in a basic state and capture data. This procedure is intended to put the device in a data sheet condition to check if the device is working properly in the user's system. It is recommended that this procedure be followed initially to get familiar with the device settings. Once this procedure has been verified, the device can be configured as needed. For details on the timings for commands refer to the appropriate sections in the data sheet. Also, some sample programming codes are added for the ECG-specific functions. Figure 63 details a flow chart of the configuration procedure.

### Lead-Off

Sample code to set dc lead-off with current source or sink resistors on all channels

```
WREG LOFF 10h // Comparator threshold at 95% and 5%, current source or sink resistor // DC lead-off
```

```
WREG CONFIG2 E0h // Turn-on dc lead-off comparators
```

```
WREG LOFF_SENS 0Fh // Turn on both P- and N-side of all channels for lead-off sensing
```

Observe the status bits of the output data stream to monitor lead-off status.

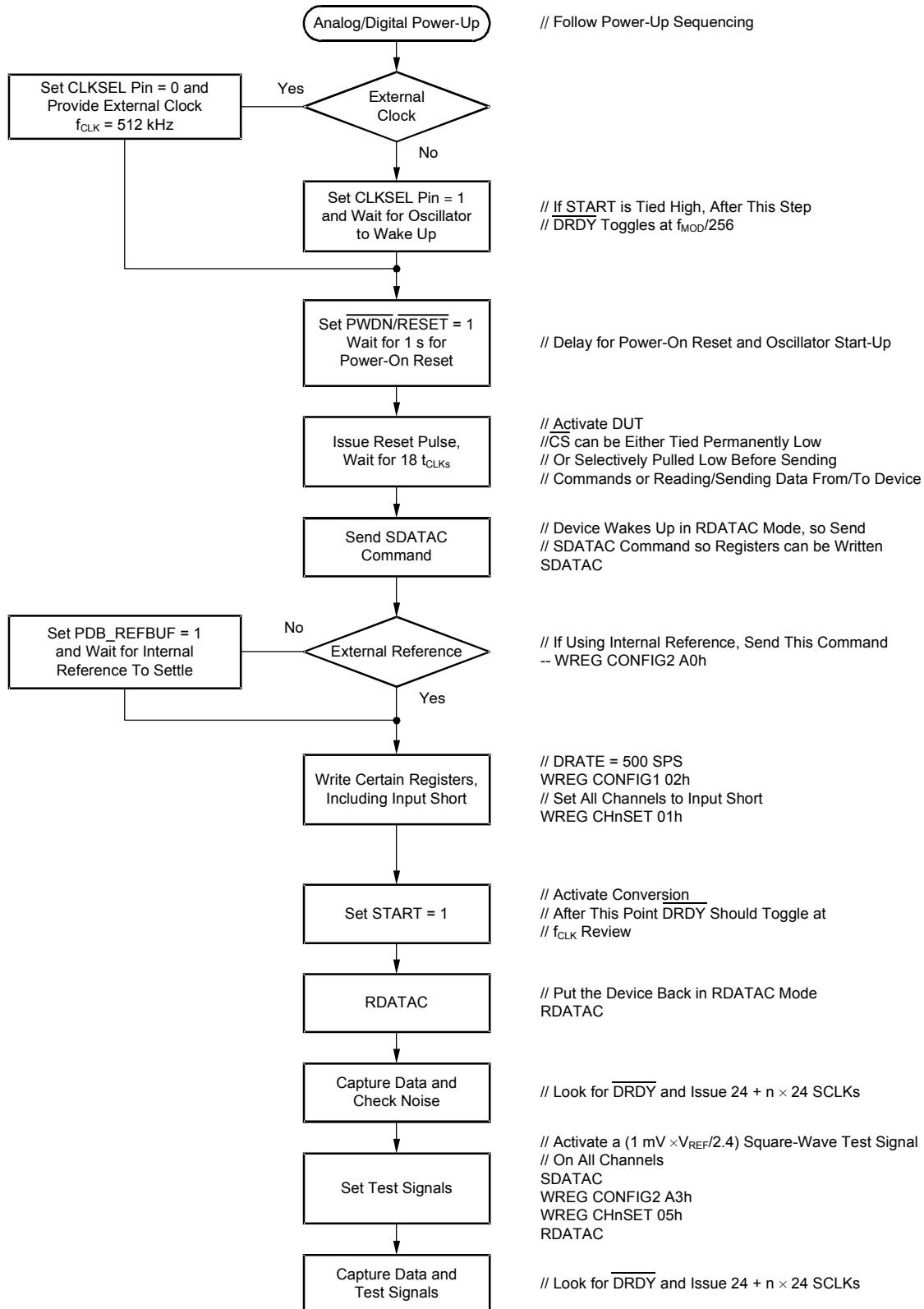


Figure 63. Initial Flow at Power-Up

## REVISION HISTORY

NOTE: Page numbers for previous revisions may differ from page numbers in the current version.

<b>Changes from Revision A (March 2012) to Revision B</b>	<b>Page</b>
• Added QFN package to device graphic .....	1
• Changed AVSS to DGND row in Absolute Maximum Ratings table .....	2
• Changed parameters of Supply Current (RLD Amplifier Turned Off) section in Electrical Characteristics table .....	6
• Added QFN pin out drawing .....	11
• Changed description of bit 6 in LOFF_STATUS: Lead-Off Status register .....	47



<b>Changes from Original (December 2011) to Revision A</b>	<b>Page</b>
• Changed device graphic .....	1
• Changed device status from Mixed Status to Production Data .....	1
• Changed second Features bullet .....	1
• Updated Family and Ordering Information table .....	2
• Moved ADS1292R to production status .....	2
• Deleted footnote 2 from Family and Ordering Information table .....	2
• Changed values of AVDD to AVSS and DVDD to DGND rows in Absolute Maximum Ratings table .....	2
• Changed <i>Operating temperature range</i> parameter in Absolute Maximum Ratings table .....	2
• Changed DC Channel Performance, <i>INL</i> parameter test conditions in Electrical Characteristics table .....	3
• Changed AC Channel Performance, <i>SNR</i> and <i>THD</i> parameters test conditions in Electrical Characteristics table .....	3
• Added third Channel Performance, <i>THD</i> parameter row to Electrical Characteristics table .....	3
• Added Digital Filter section to Electrical Characteristics table .....	4
• Deleted Right Leg Drive Amplifier, <i>Quiescent power consumption</i> parameter test condition from Electrical Characteristics table .....	4
• Changed Respiration, <i>Impedance measurement noise</i> parameter test conditions in Electrical Characteristics table .....	4
• Changed Respiration, <i>Maximum modulator current</i> parameter in Electrical Characteristics table .....	4
• Changed Power-Supply Requirements, <i>Digital supply</i> parameter in Electrical Characteristics table .....	5
• Changed first I <sub>DVDD</sub> Supply Current, <i>Normal mode</i> parameter test conditions in Electrical Characteristics table .....	6
• Changed 3-V Power Dissipation, <i>Quiescent power dissipation, per channel</i> parameter typical specifications in Electrical Characteristics table .....	6
• Added C <sub>FILTER</sub> to Typical Characteristics conditions .....	13
• Updated <a href="#">Figure 5</a> .....	13
• Updated <a href="#">Figure 9</a> and <a href="#">Figure 12</a> .....	13
• Added C <sub>FILTER</sub> to Typical Characteristics conditions .....	14
• Added C <sub>FILTER</sub> to Typical Characteristics conditions .....	15
• Changed description of CHnSET setting in <i>Supply Measurements (MVDDP, MVDDN)</i> section .....	19
• Changed second paragraph of <i>PGA Settings and Input Range</i> section .....	21
• Changed description of $\overline{\text{PD\_REFBUF}}$ bit in the <i>Reference</i> section .....	25
• Updated second column title in <a href="#">Table 9</a> .....	27
• Updated <a href="#">Figure 41</a> .....	34
• Updated description of DOUT and $\overline{\text{DRDY}}$ in <i>RDATAC: Read Data Continuous</i> section .....	36
• Updated RLD_STAT in address 08h of <a href="#">Table 14</a> .....	39
• Changed description of bit 1 in CONFIG2: Configuration Register 2 .....	41
• Changed descriptions of bits[3:0] in CH2SET: Channel 2 Settings .....	44
• Updated <a href="#">Figure 54</a> .....	57
• Added description of <a href="#">Figure 55</a> , <a href="#">Figure 55</a> , and <a href="#">Table 16</a> to <i>Internal Respiration Circuitry with External Clock (ADS1292R)</i> section .....	58
• Added <i>ADS1292R Application</i> section .....	58
• Updated <a href="#">Figure 58</a> and <a href="#">Figure 59</a> .....	59
• Updated <a href="#">Figure 60</a> and added footnote 1 .....	60
• Updated <a href="#">Figure 61</a> and added footnote 1 .....	61

**PACKAGING INFORMATION**

Orderable Device	Status (1)	Package Type	Package Drawing	Pins	Package Qty	Eco Plan (2)	Lead/Ball Finish (6)	MSL Peak Temp (3)	Op Temp (°C)	Device Marking (4/5)	Samples
ADS1291IPBS	ACTIVE	TQFP	PBS	32	250	Green (RoHS & no Sb/Br)	CU NIPDAU	Level-2-260C-1 YEAR	-40 to 85	ADS1291	<a href="#">Samples</a>
ADS1291IPBSR	ACTIVE	TQFP	PBS	32	1000	Green (RoHS & no Sb/Br)	CU NIPDAU	Level-2-260C-1 YEAR	-40 to 85	ADS1291	<a href="#">Samples</a>
ADS1291IRSMR	ACTIVE	VQFN	RSM	32	3000	Green (RoHS & no Sb/Br)	CU NIPDAU	Level-2-260C-1 YEAR	-40 to 85	ADS 1291	<a href="#">Samples</a>
ADS1291IRSMT	ACTIVE	VQFN	RSM	32	250	Green (RoHS & no Sb/Br)	CU NIPDAU	Level-2-260C-1 YEAR	-40 to 85	ADS 1291	<a href="#">Samples</a>
ADS1292IPBS	ACTIVE	TQFP	PBS	32	250	Green (RoHS & no Sb/Br)	CU NIPDAU	Level-2-260C-1 YEAR	-40 to 85	ADS1292	<a href="#">Samples</a>
ADS1292IPBSR	ACTIVE	TQFP	PBS	32	1000	Green (RoHS & no Sb/Br)	CU NIPDAU	Level-2-260C-1 YEAR	-40 to 85	ADS1292	<a href="#">Samples</a>
ADS1292IRSMR	ACTIVE	VQFN	RSM	32	3000	Green (RoHS & no Sb/Br)	CU NIPDAU	Level-2-260C-1 YEAR	-40 to 85	ADS 1292	<a href="#">Samples</a>
ADS1292IRSMT	ACTIVE	VQFN	RSM	32	250	Green (RoHS & no Sb/Br)	CU NIPDAU	Level-2-260C-1 YEAR	-40 to 85	ADS 1292	<a href="#">Samples</a>
ADS1292RIPBS	ACTIVE	TQFP	PBS	32	250	Green (RoHS & no Sb/Br)	CU NIPDAU	Level-2-260C-1 YEAR	-40 to 85	1292R	<a href="#">Samples</a>
ADS1292RIPBSR	ACTIVE	TQFP	PBS	32	1000	Green (RoHS & no Sb/Br)	CU NIPDAU	Level-2-260C-1 YEAR	-40 to 85	1292R	<a href="#">Samples</a>
ADS1292RIRSMR	ACTIVE	VQFN	RSM	32	3000	Green (RoHS & no Sb/Br)	CU NIPDAU	Level-2-260C-1 YEAR	-40 to 85	ADS 1292R	<a href="#">Samples</a>
ADS1292RIRSMT	ACTIVE	VQFN	RSM	32	250	Green (RoHS & no Sb/Br)	CU NIPDAU	Level-2-260C-1 YEAR	-40 to 85	ADS 1292R	<a href="#">Samples</a>

(1) The marketing status values are defined as follows:

**ACTIVE:** Product device recommended for new designs.

**LIFEBUY:** TI has announced that the device will be discontinued, and a lifetime-buy period is in effect.

**NRND:** Not recommended for new designs. Device is in production to support existing customers, but TI does not recommend using this part in a new design.

**PREVIEW:** Device has been announced but is not in production. Samples may or may not be available.

**OBSELETE:** TI has discontinued the production of the device.

(2) Eco Plan - The planned eco-friendly classification: Pb-Free (RoHS), Pb-Free (RoHS Exempt), or Green (RoHS & no Sb/Br) - please check <http://www.ti.com/productcontent> for the latest availability information and additional product content details.

**TBD:** The Pb-Free/Green conversion plan has not been defined.

---

**Pb-Free (RoHS):** TI's terms "Lead-Free" or "Pb-Free" mean semiconductor products that are compatible with the current RoHS requirements for all 6 substances, including the requirement that lead not exceed 0.1% by weight in homogeneous materials. Where designed to be soldered at high temperatures, TI Pb-Free products are suitable for use in specified lead-free processes.

**Pb-Free (RoHS Exempt):** This component has a RoHS exemption for either 1) lead-based flip-chip solder bumps used between the die and package, or 2) lead-based die adhesive used between the die and leadframe. The component is otherwise considered Pb-Free (RoHS compatible) as defined above.

**Green (RoHS & no Sb/Br):** TI defines "Green" to mean Pb-Free (RoHS compatible), and free of Bromine (Br) and Antimony (Sb) based flame retardants (Br or Sb do not exceed 0.1% by weight in homogeneous material)

<sup>(3)</sup> MSL, Peak Temp. - The Moisture Sensitivity Level rating according to the JEDEC industry standard classifications, and peak solder temperature.

<sup>(4)</sup> There may be additional marking, which relates to the logo, the lot trace code information, or the environmental category on the device.

<sup>(5)</sup> Multiple Device Markings will be inside parentheses. Only one Device Marking contained in parentheses and separated by a "~" will appear on a device. If a line is indented then it is a continuation of the previous line and the two combined represent the entire Device Marking for that device.

<sup>(6)</sup> Lead/Ball Finish - Orderable Devices may have multiple material finish options. Finish options are separated by a vertical ruled line. Lead/Ball Finish values may wrap to two lines if the finish value exceeds the maximum column width.

**Important Information and Disclaimer:**The information provided on this page represents TI's knowledge and belief as of the date that it is provided. TI bases its knowledge and belief on information provided by third parties, and makes no representation or warranty as to the accuracy of such information. Efforts are underway to better integrate information from third parties. TI has taken and continues to take reasonable steps to provide representative and accurate information but may not have conducted destructive testing or chemical analysis on incoming materials and chemicals. TI and TI suppliers consider certain information to be proprietary, and thus CAS numbers and other limited information may not be available for release.

In no event shall TI's liability arising out of such information exceed the total purchase price of the TI part(s) at issue in this document sold by TI to Customer on an annual basis.

**TAPE AND REEL INFORMATION**

**QUADRANT ASSIGNMENTS FOR PIN 1 ORIENTATION IN TAPE**


\*All dimensions are nominal

Device	Package Type	Package Drawing	Pins	SPQ	Reel Diameter (mm)	Reel Width W1 (mm)	A0 (mm)	B0 (mm)	K0 (mm)	P1 (mm)	W (mm)	Pin1 Quadrant
ADS1291IPBSR	TQFP	PBS	32	1000	330.0	16.4	7.2	7.2	1.5	12.0	16.0	Q2
ADS1291IRSMR	VQFN	RSM	32	3000	330.0	12.4	4.25	4.25	1.15	8.0	12.0	Q2
ADS1291IRSMT	VQFN	RSM	32	250	180.0	12.4	4.25	4.25	1.15	8.0	12.0	Q2
ADS1292IPBSR	TQFP	PBS	32	1000	330.0	16.4	7.2	7.2	1.5	12.0	16.0	Q2
ADS1292IRSMR	VQFN	RSM	32	3000	330.0	12.4	4.25	4.25	1.15	8.0	12.0	Q2
ADS1292IRSMT	VQFN	RSM	32	250	180.0	12.4	4.25	4.25	1.15	8.0	12.0	Q2
ADS1292RIPBSR	TQFP	PBS	32	1000	330.0	16.4	7.2	7.2	1.5	12.0	16.0	Q2
ADS1292RIRSMR	VQFN	RSM	32	3000	330.0	12.4	4.25	4.25	1.15	8.0	12.0	Q2
ADS1292RIRSMT	VQFN	RSM	32	250	180.0	12.4	4.25	4.25	1.15	8.0	12.0	Q2

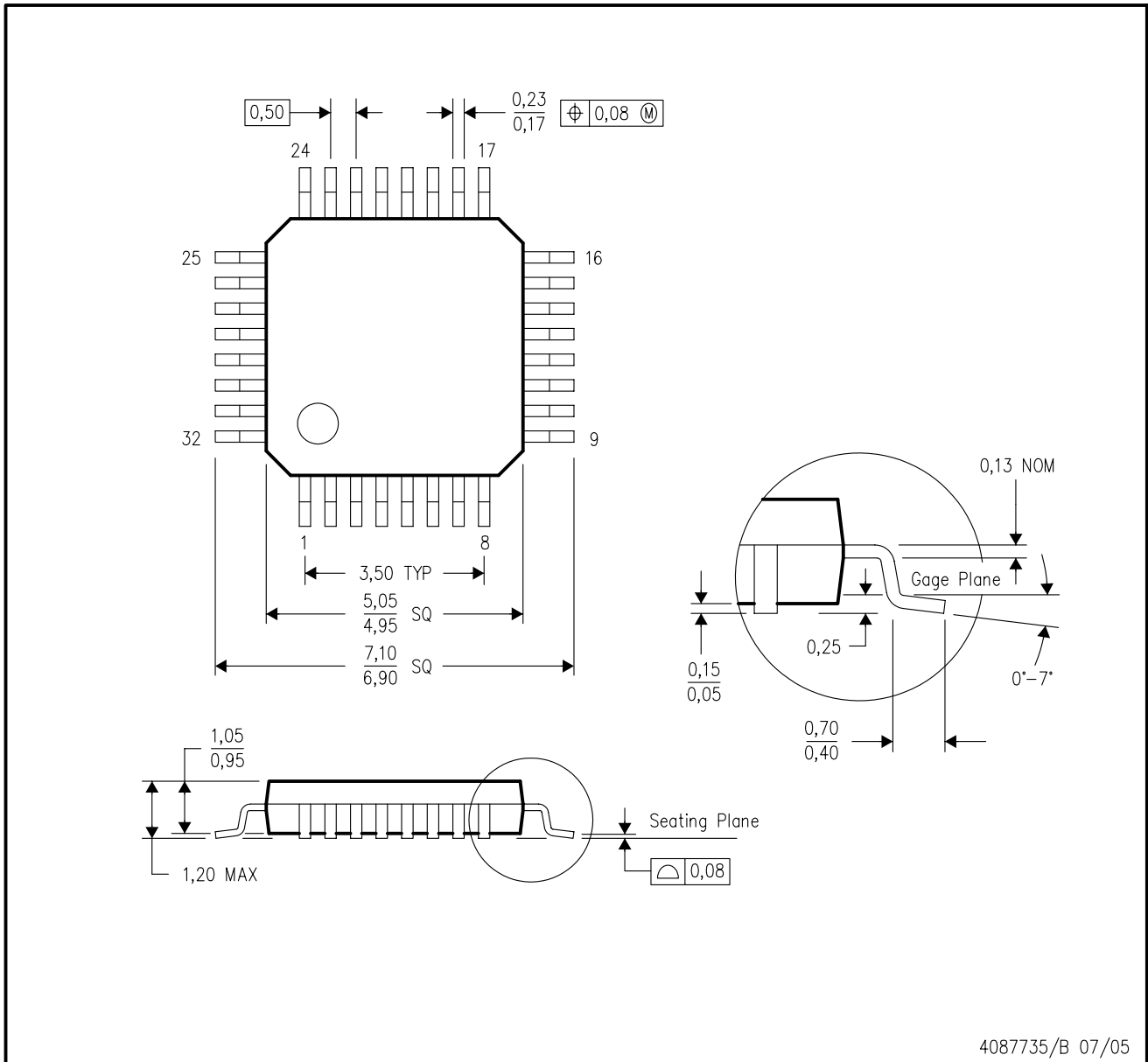
**TAPE AND REEL BOX DIMENSIONS**


\*All dimensions are nominal

Device	Package Type	Package Drawing	Pins	SPQ	Length (mm)	Width (mm)	Height (mm)
ADS1291IPBSR	TQFP	PBS	32	1000	350.0	350.0	43.0
ADS1291IRSMR	VQFN	RSM	32	3000	367.0	367.0	35.0
ADS1291IRSMT	VQFN	RSM	32	250	210.0	185.0	35.0
ADS1292IPBSR	TQFP	PBS	32	1000	350.0	350.0	43.0
ADS1292IRSMR	VQFN	RSM	32	3000	367.0	367.0	35.0
ADS1292IRSMT	VQFN	RSM	32	250	210.0	185.0	35.0
ADS1292RIPBSR	TQFP	PBS	32	1000	350.0	350.0	43.0
ADS1292RIRSMR	VQFN	RSM	32	3000	367.0	367.0	35.0
ADS1292RIRSMT	VQFN	RSM	32	250	210.0	185.0	35.0

PBS (S-PQFP-G32)

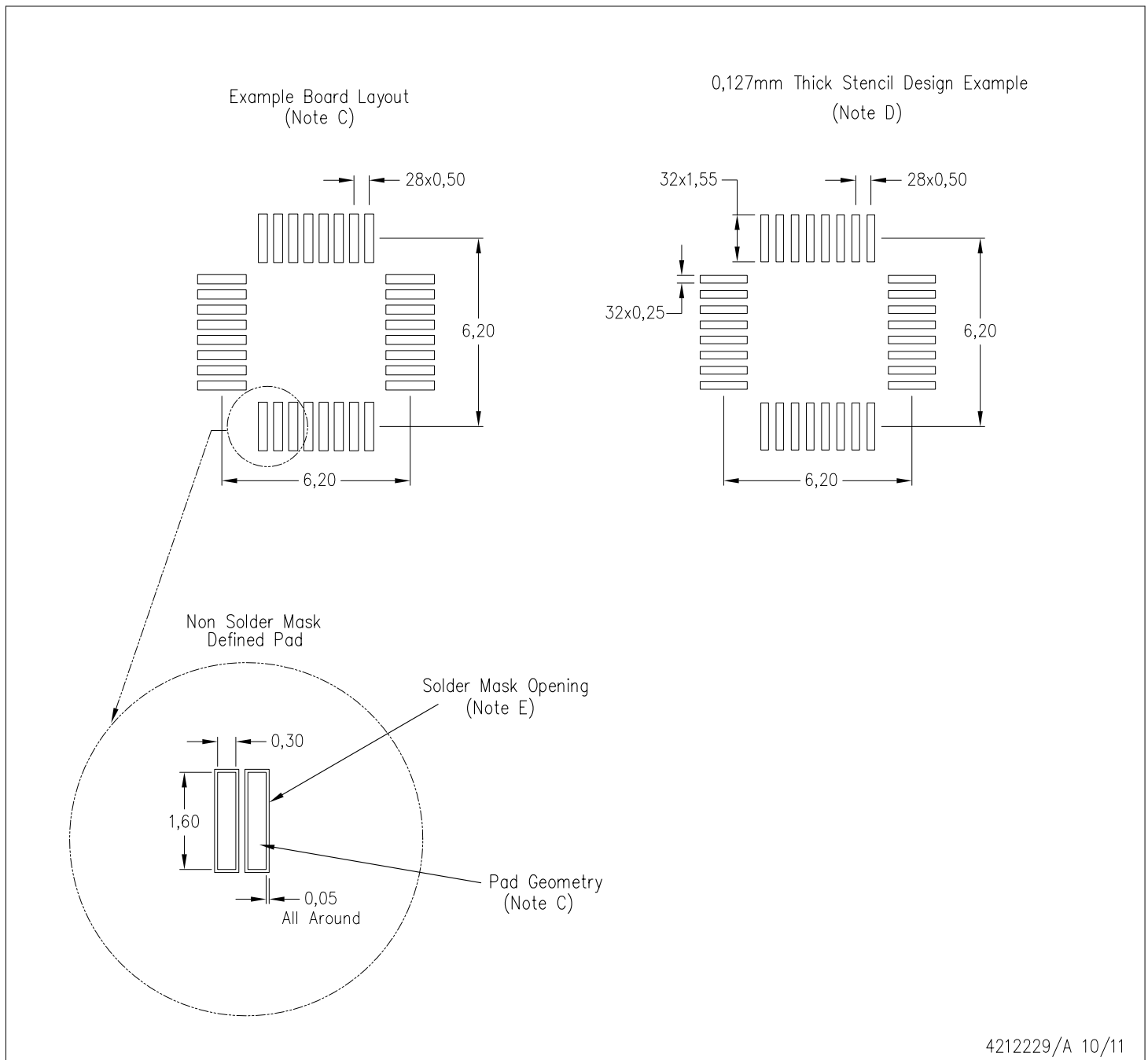
PLASTIC QUAD FLATPACK



- NOTES:
- A. All linear dimensions are in millimeters.
  - B. This drawing is subject to change without notice.

PBS (S-PQFP-G32)

PLASTIC QUAD FLATPACK



- NOTES:
- All linear dimensions are in millimeters.
  - This drawing is subject to change without notice.
  - Publication IPC-7351 is recommended for alternate designs.
  - Laser cutting apertures with trapezoidal walls and also rounding corners will offer better paste release. Customers should contact their board assembly site for stencil design recommendations. Refer to IPC 7525 for stencil design considerations.
  - Customers should contact their board fabrication site for recommended solder mask tolerances between and around signal pads.

## GENERIC PACKAGE VIEW

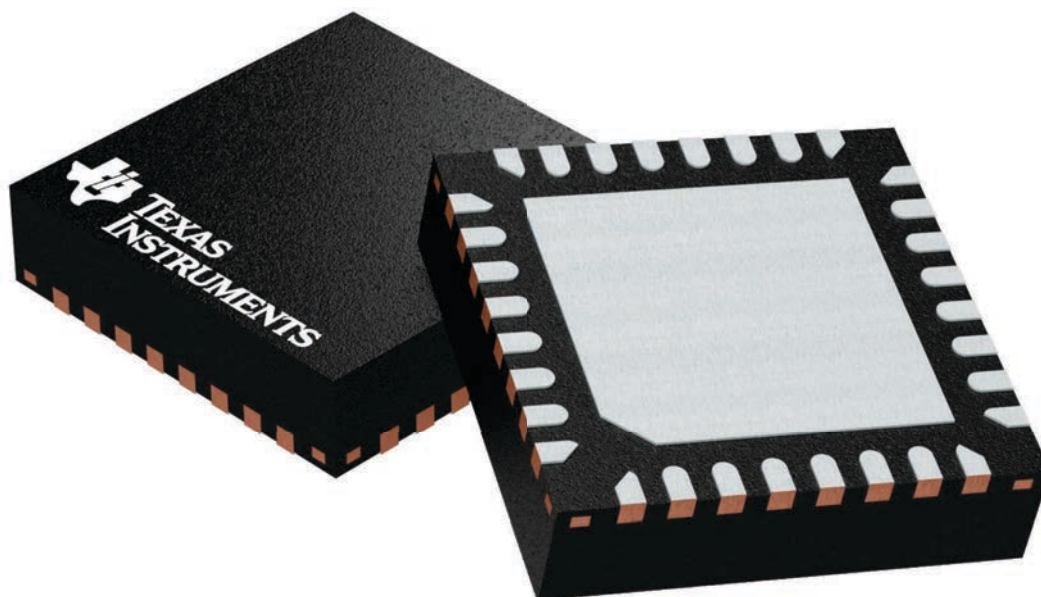
**RSM 32**

**VQFN - 1 mm max height**

4 x 4, 0.4 mm pitch

PLASTIC QUAD FLATPACK - NO LEAD

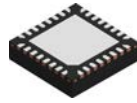
This image is a representation of the package family, actual package may vary.  
Refer to the product data sheet for package details.



4224982/A



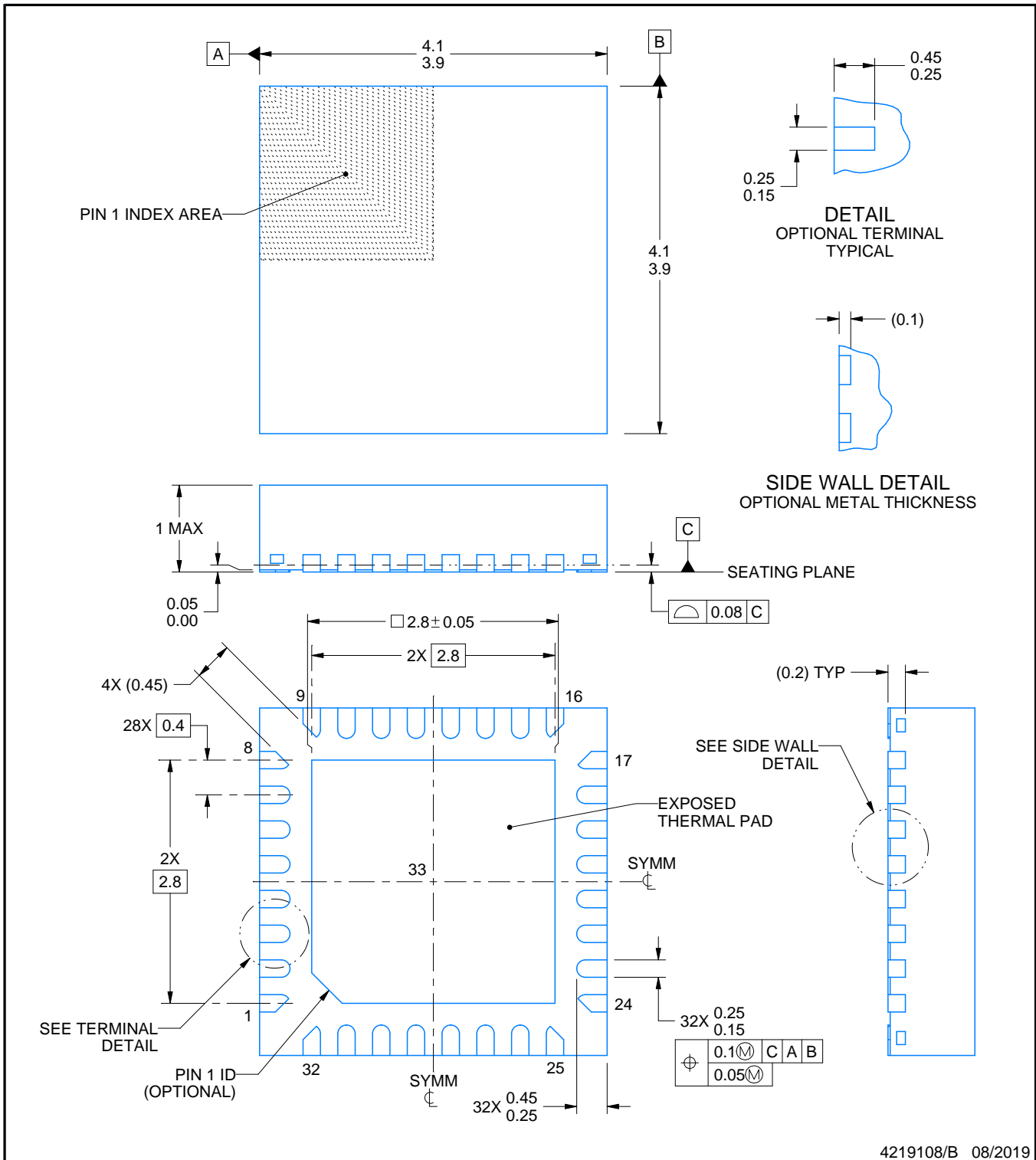
# RSM0032B



# PACKAGE OUTLINE

## VQFN - 1 mm max height

PLASTIC QUAD FLATPACK - NO LEAD



### NOTES:

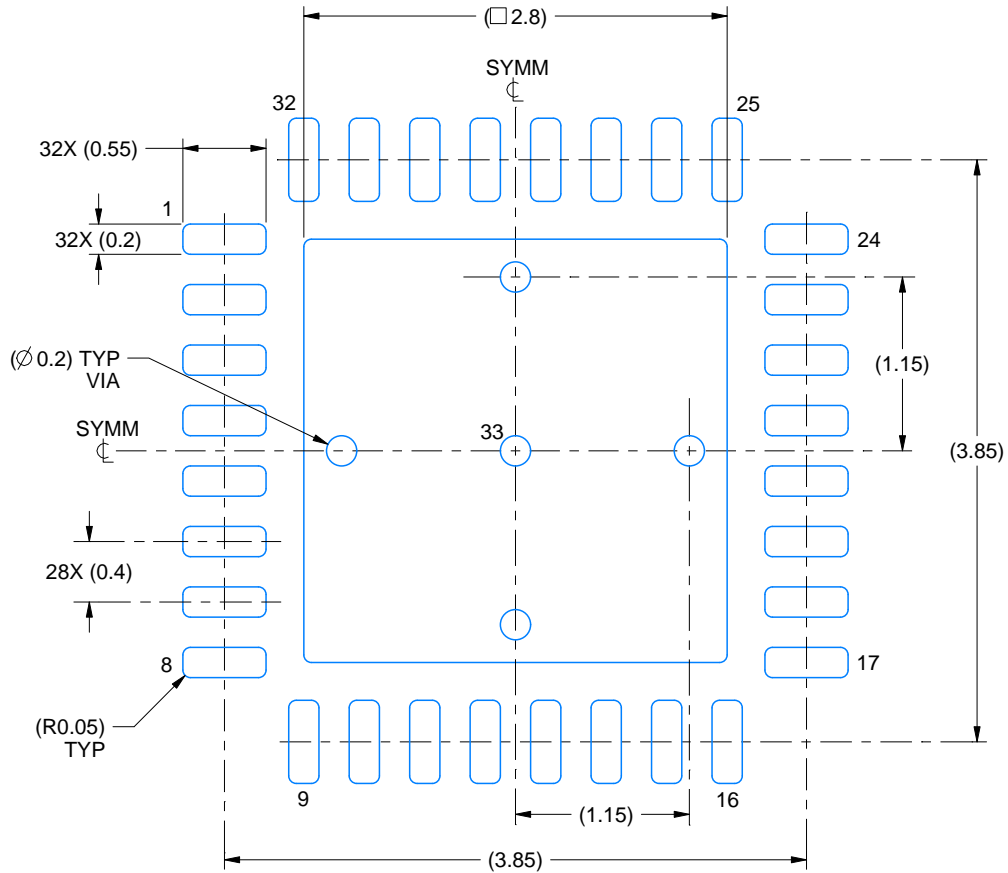
1. All linear dimensions are in millimeters. Any dimensions in parenthesis are for reference only. Dimensioning and tolerancing per ASME Y14.5M.
2. This drawing is subject to change without notice.
3. The package thermal pad must be soldered to the printed circuit board for thermal and mechanical performance.

# EXAMPLE BOARD LAYOUT

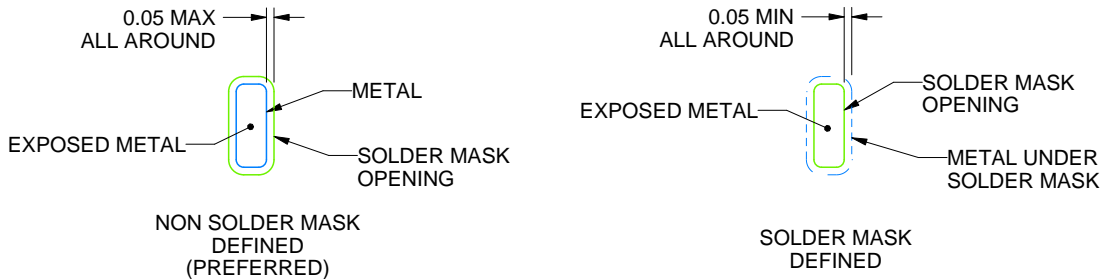
RSM0032B

VQFN - 1 mm max height

PLASTIC QUAD FLATPACK - NO LEAD



LAND PATTERN EXAMPLE  
EXPOSED METAL SHOWN  
SCALE:20X



SOLDER MASK DETAILS

4219108/B 08/2019

NOTES: (continued)

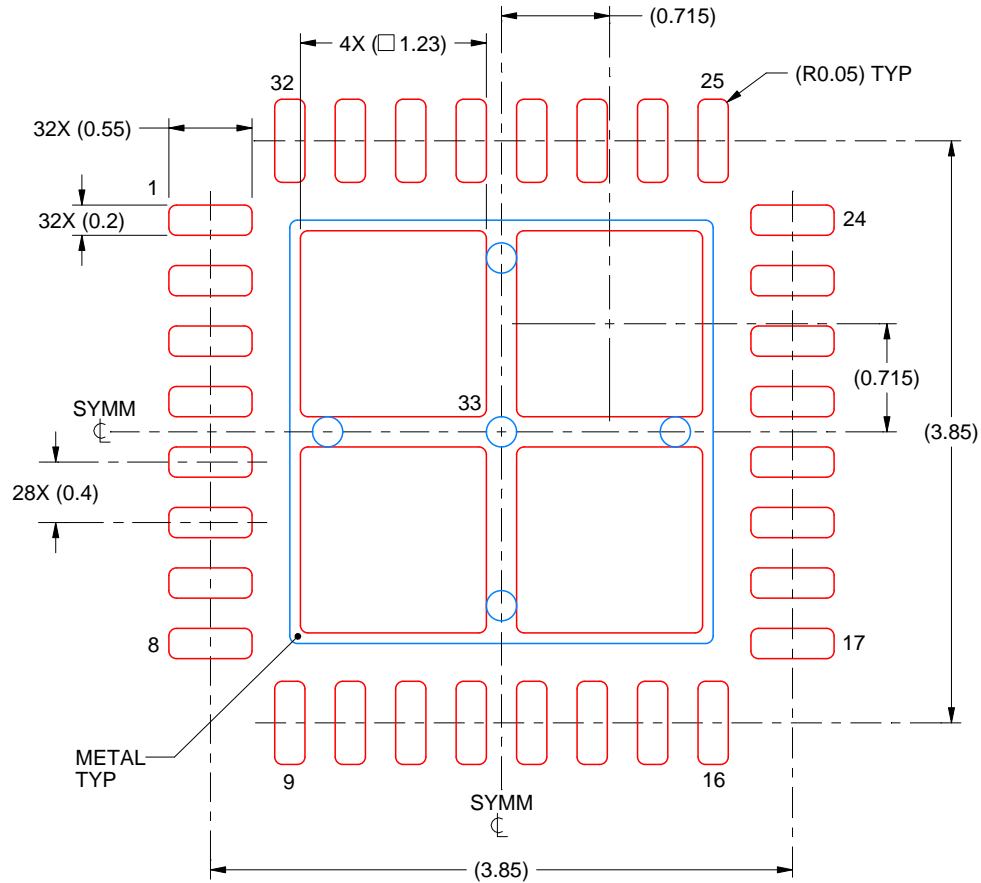
4. This package is designed to be soldered to a thermal pad on the board. For more information, see Texas Instruments literature number SLUA271 ([www.ti.com/lit/slue271](http://www.ti.com/lit/slue271)).
5. Vias are optional depending on application, refer to device data sheet. If any vias are implemented, refer to their locations shown on this view. It is recommended that vias under paste be filled, plugged or tented.

# EXAMPLE STENCIL DESIGN

RSM0032B

VQFN - 1 mm max height

PLASTIC QUAD FLATPACK - NO LEAD



**SOLDER PASTE EXAMPLE**  
BASED ON 0.1 mm THICK STENCIL

EXPOSED PAD 33:  
77% PRINTED SOLDER COVERAGE BY AREA UNDER PACKAGE  
SCALE:20X

4219108/B 08/2019

NOTES: (continued)

6. Laser cutting apertures with trapezoidal walls and rounded corners may offer better paste release. IPC-7525 may have alternate design recommendations.

## IMPORTANT NOTICE AND DISCLAIMER

TI PROVIDES TECHNICAL AND RELIABILITY DATA (INCLUDING DATASHEETS), DESIGN RESOURCES (INCLUDING REFERENCE DESIGNS), APPLICATION OR OTHER DESIGN ADVICE, WEB TOOLS, SAFETY INFORMATION, AND OTHER RESOURCES "AS IS" AND WITH ALL FAULTS, AND DISCLAIMS ALL WARRANTIES, EXPRESS AND IMPLIED, INCLUDING WITHOUT LIMITATION ANY IMPLIED WARRANTIES OF MERCHANTABILITY, FITNESS FOR A PARTICULAR PURPOSE OR NON-INFRINGEMENT OF THIRD PARTY INTELLECTUAL PROPERTY RIGHTS.

These resources are intended for skilled developers designing with TI products. You are solely responsible for (1) selecting the appropriate TI products for your application, (2) designing, validating and testing your application, and (3) ensuring your application meets applicable standards, and any other safety, security, or other requirements. These resources are subject to change without notice. TI grants you permission to use these resources only for development of an application that uses the TI products described in the resource. Other reproduction and display of these resources is prohibited. No license is granted to any other TI intellectual property right or to any third party intellectual property right. TI disclaims responsibility for, and you will fully indemnify TI and its representatives against, any claims, damages, costs, losses, and liabilities arising out of your use of these resources.

TI's products are provided subject to TI's Terms of Sale ([www.ti.com/legal/termsofsale.html](http://www.ti.com/legal/termsofsale.html)) or other applicable terms available either on [ti.com](http://ti.com) or provided in conjunction with such TI products. TI's provision of these resources does not expand or otherwise alter TI's applicable warranties or warranty disclaimers for TI products.

Mailing Address: Texas Instruments, Post Office Box 655303, Dallas, Texas 75265  
Copyright © 2019, Texas Instruments Incorporated