

60385-2 ✓ ACTIVE

AMPLIVAR

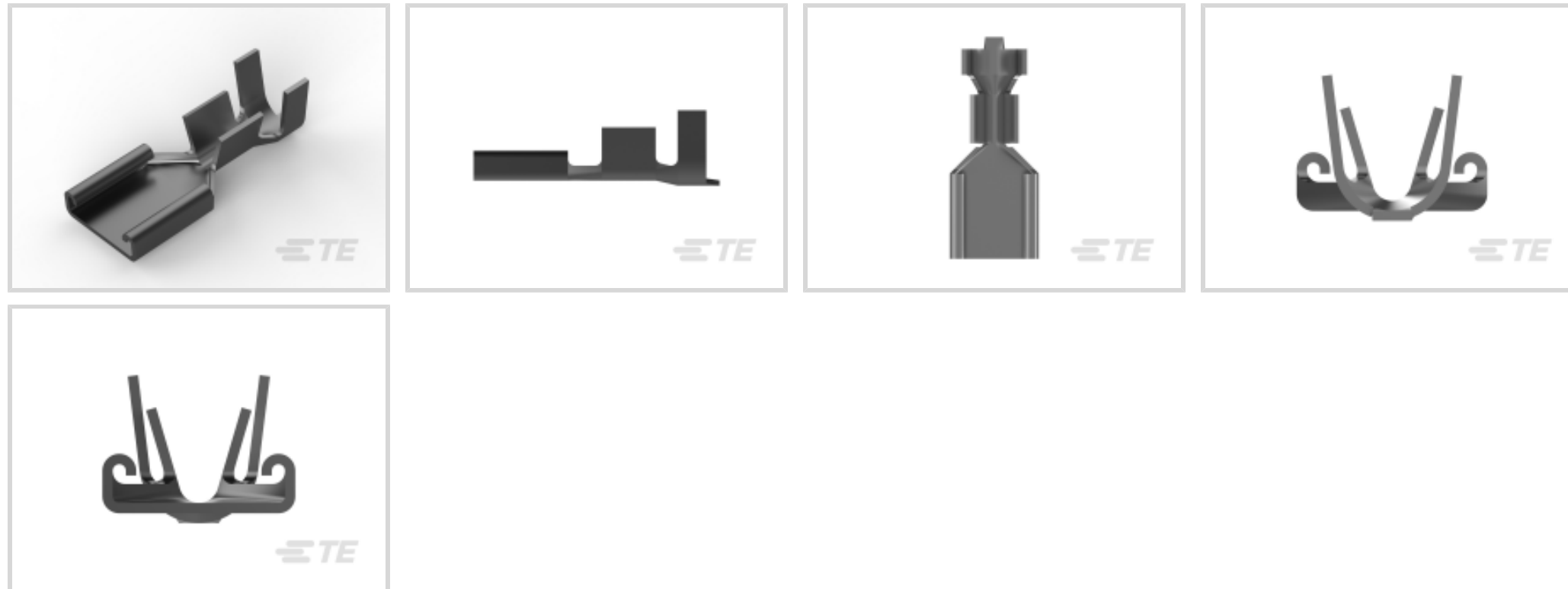
TE Internal #: 60385-2

Receptacle, 18 – 14 AWG Wire Size, .82 – 2.08 mm² Wire Size, 2000 – 4500 CMA Wire Size, Mating Tab Width 6.35 mm [.25 in], AMPLIVAR, Quick Disconnects

[View on TE.com >](#)



Terminals & Splices > Quick Disconnects



Quick Disconnect Terminal Type: **Receptacle**

Wire Size: **2000 – 4500 CMA**

Mating Tab Width: **6.35 mm [.25 in]**

Features

Product Type Features

Compatible With Discrete Wire Type	Magnet Wire
Insertion Force	Low

Configuration Features

Connection Capacity	Single
---------------------	--------

Contact Features

Quick Disconnect Terminal Type	Receptacle
Mating Tab Width	6.35 mm [.25 in]
Mating Tab Thickness	.81 mm [.032 in]
Terminal Orientation	Straight
Contact Base Material	Brass
Terminal Plating Material	Tin
Crimp Type	F-Crimp
Barrel Type	Open

Termination Features

Product Terminates To	Wire & Cable
-----------------------	--------------



Mechanical Attachment

Wire Insulation Support	Without
Mating Retention Type	Dimple

Dimensions

Terminal Material Thickness	.4 mm[.016 in]
Product Length	17.53 mm[.69 in]
Compatible Insulation Diameter Range	3.1 – 4.3 mm[.12 – .17 in]
Wire Size	2000 – 4500 CMA

Usage Conditions

Insulation Option	Uninsulated
-------------------	-------------

Industry Standards

Compatible With Agency/Standards Products	CSA, UL
---	---------

Packaging Features

Packaging Quantity	12000
Packaging Method	Reel

Product Compliance

[For compliance documentation, visit the product page on TE.com>](#)

EU RoHS Directive 2011/65/EU	Compliant
EU ELV Directive 2000/53/EC	Compliant
China RoHS 2 Directive MIIT Order No 32, 2016	No Restricted Materials Above Threshold
EU REACH Regulation (EC) No. 1907/2006	Current ECHA Candidate List: JUNE 2024 (241) Candidate List Declared Against: JUNE 2024 (241) Does not contain REACH SVHC
Halogen Content	Low Halogen - Br, Cl, F, I < 900 ppm per homogenous material. Also BFR/CFR/PVC Free
Solder Process Capability	Not applicable for solder process capability

Product Compliance Disclaimer

This information is provided based on reasonable inquiry of our suppliers and represents our current actual knowledge based on the information they provided. This information is subject to change. The part numbers that TE has identified as EU RoHS compliant have a maximum concentration of 0.1% by weight in homogenous materials for lead, hexavalent chromium, mercury, PBB, PBDE, DBP, BBP, DEHP, DIBP, and 0.01% for cadmium, or qualify for an exemption to these limits as defined in the Annexes of Directive 2011/65/EU (RoHS2). Finished electrical and electronic equipment products will be CE marked as required by Directive 2011/65/EU. Components may not be CE marked. Additionally, the part

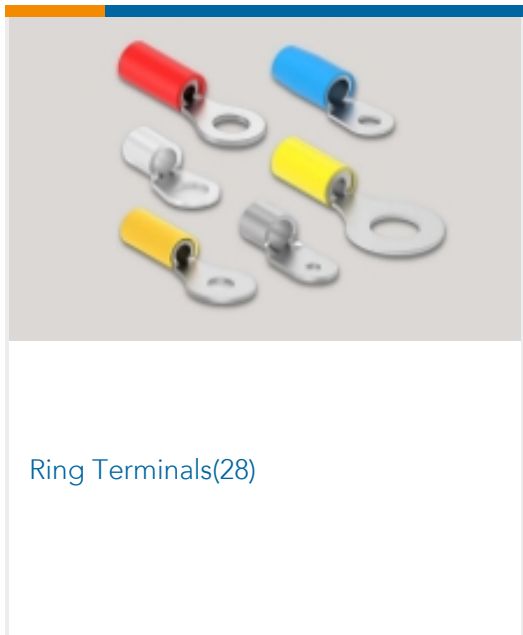
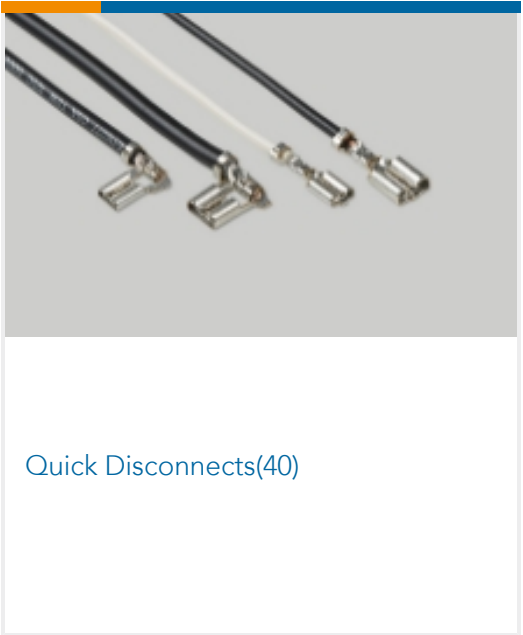
numbers that TE has identified as EU ELV compliant have a maximum concentration of 0.1% by weight in homogenous materials for lead, hexavalent chromium, and mercury, and 0.01% for cadmium, or qualify for an exemption to these limits as defined in the Annexes of Directive 2000/53/EC (ELV). Regarding the REACH Regulation, the information TE provides on SVHC in articles for this part number is based on the latest European Chemicals Agency (ECHA) 'Guidance on requirements for substances in articles' posted at this URL: <https://echa.europa.eu/guidance-documents/guidance-on-reach>

Compatible Parts

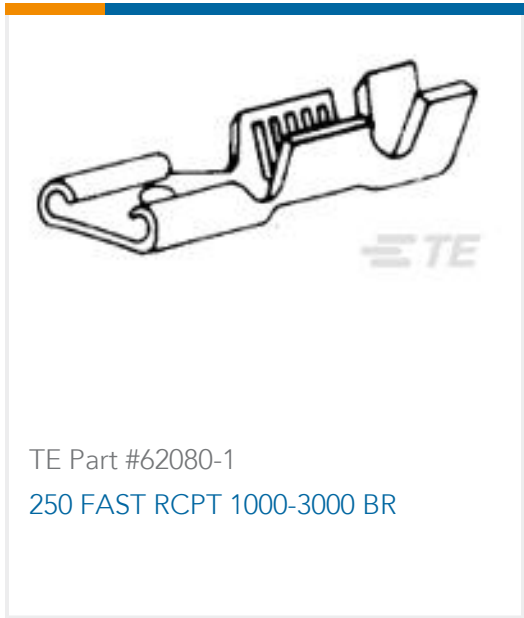
 <p>TE Part # 62080-1 250 FAST RCPT 1000-3000 BR</p>	 <p>TE Part # 63622-1 RCPT AMVAR 250 FAST LIF 016BR</p>	 <p>TE Part # 60384-2 .250 FAST REC IS 1000 TPBR</p>	 <p>TE Part # 63497-1 AMPLIVAR TAB 032 TPBR</p>
 <p>TE Part # 63165-1 250 AMVAR FAST TAB 032TPBR</p>	 <p>TE Part # 1742944-1 RCPT 250 FLG FAST AMVAR TPPHBZ</p>	 <p>TE Part # 60177-2 .090 PIN REC AMVAR 21-16 TPPHB</p>	 <p>TE Part # 62922-1 250 FAST TAB AMVAR 032TPBR</p>
 <p>TE Part # 1217624-1 .187 FAST FL AMVR 0157 TPBR</p>	 <p>TE Part # 1217835-1 RECP AMVAR 250 FAST 016BR</p>	 <p>TE Part # 60384-1 .250 FAST REC IS 1000 BR</p>	 <p>TE Part # 62069-1 250 AMVAR FAS REC 23 19 MAG BR</p>
 <p>TE Part # 63349-1 250 F TAB AMVAR 18-14 032TPBR</p>	 <p>TE Part # 63497-2 AMPLIVAR TAB 032 TPBR</p>	 <p>TE Part # 63623-2 RCPT AMVAR 250FAST LIF 016TPBR</p>	 <p>TE Part # 63944-1 RCPT 250 FLG FAST AMVAR TPPHBZ</p>

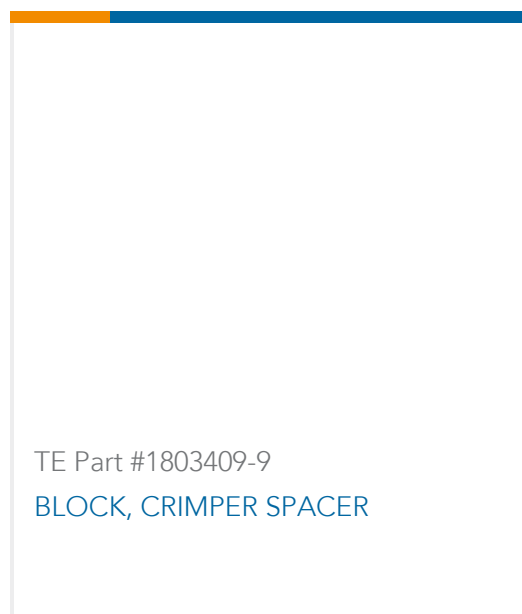


Also in the Series | **AMPLIVAR**



Customers Also Bought





Documents

Product Drawings

[.250 FAST REC IS 18-2/17 TPBR](#)

English

CAD Files

[3D PDF](#)

3D

Customer View Model

[ENG_CVM_CVM_60385-2_AB.2d_dxf.zip](#)

English

Customer View Model

[ENG_CVM_CVM_60385-2_AB.3d_igs.zip](#)

English

Customer View Model

[ENG_CVM_CVM_60385-2_AB.3d_stp.zip](#)

English

By downloading the CAD file I accept and agree to the [Terms and Conditions](#) of use.

Datasheets & Catalog Pages

[82004 FASTON Terminals \(Insulated and Uninsulated\) Catalog - FASTON Receptacles Section](#)

English

Product Specifications

[Application Specification](#)

English

Agency Approvals

[CSA Certificate](#)

English

[CSA Certificate](#)

English