

THIS DRAWING IS UNPUBLISHED.

RELEASED FOR PUBLICATION

APR. 2011

© COPYRIGHT 2011

BY Tyco Electronics Japan G.K.

ALL RIGHTS RESERVED.

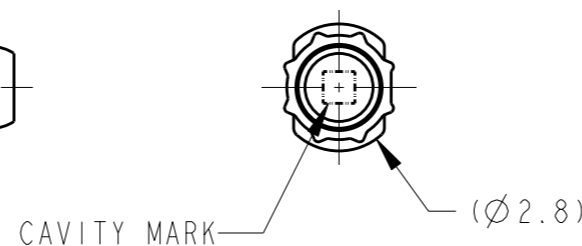
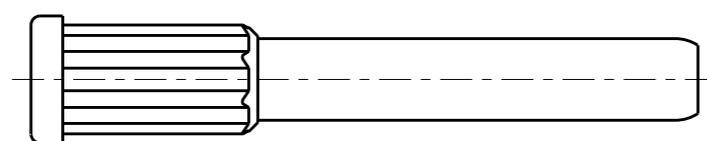
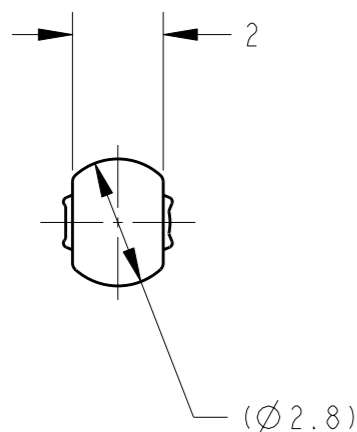
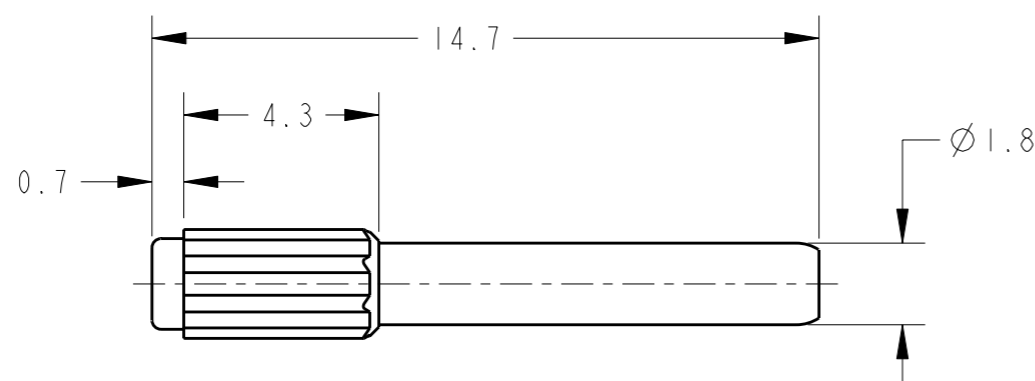
LOC
J

DIST
-

REVISIONS

変更

P	LTR	DESCRIPTION	DATE	DWN	APVD
	A	RELEASED	14JAN09	SS	HY
	AI	REVISED	06APR11	RK	HY
		ECR-11-007128			




1. MATING CONNECTOR TE P/N: SEE TABLE-1
 2. HANDLING OF THIS PART SHOULD FOLLOW INSTRUCTION SHEET NO. 411-78252.

1. 嵌合相手品番: TABLE-1参照
 2. 本製品の取扱は取扱説明書NO. 411-78252に従うこと。

TABLE-1

POS 極数	PLUG ASSEMBLY PART NO プラグ型番
60	1939938
140	1939927

LIGHT GRAY	1981562-1
COLOR	P/N

THIS DRAWING IS A CONTROLLED DOCUMENT.		DWN S. SHISHIKURA 14JAN09	 TE Connectivity	
DIMENSIONS: 単位: 耗 mm		CHK K. SAKAMAKI 14JAN09		
TOLERANCES UNLESS OTHERWISE SPECIFIED: 一般公差 ±0.3		APVD H. YAMAGAMI 14JAN09	NAME 名称 CAVITY PLUG I.0 SERIES	
0-PLC ±		PRODUCT SPEC 製品規格 108-78518	SIZE A3	
1-PLC ±0.3		APPLICATION SPEC 取付適用規格 -	CAGE CODE 00779	DRAWING NO 番号 C=1981562
2-PLC ±0.10		WEIGHT 0.06 g	RESTRICTED TO -	
3-PLC ±0.001		CUSTOMER DRAWING		
4-PLC ±0.0001		SCALE 尺度 6:1	SHEET OF 1	REV AI
ANGLES ±5'00"				
MATERIAL 材料 PBT	FINISH 仕上 SEE TABLE			