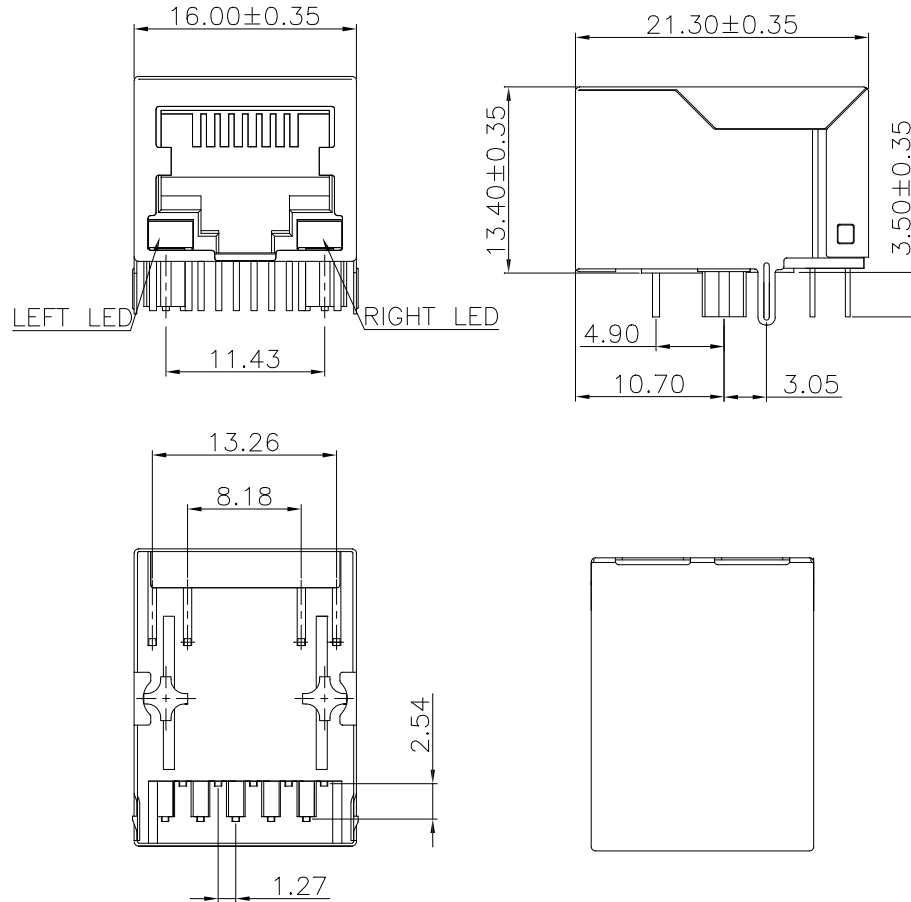


RoHS Mechanicals:

REV.	ECN NO.	LOCATIONS	DESCRIPTION	DATE	DESIGN
A		N/A	New Design	2022.4.25	Jerry Li

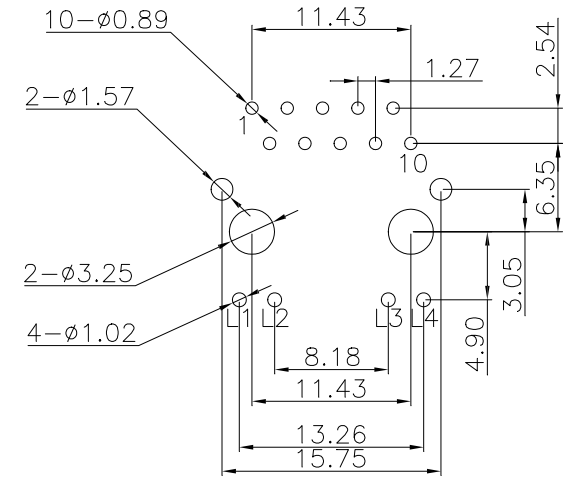


1. Material:

- 1.1 Housing: PBT UL94V-0 Black.
- 1.2 Contact :Phosphor Bronze,Gold plated on contact area 6u".
- 1.3 Input Terminal : Brass.
- 1.4 Metal shielding:Copper alloy with Nickel plated.

2. Environmental requirements:

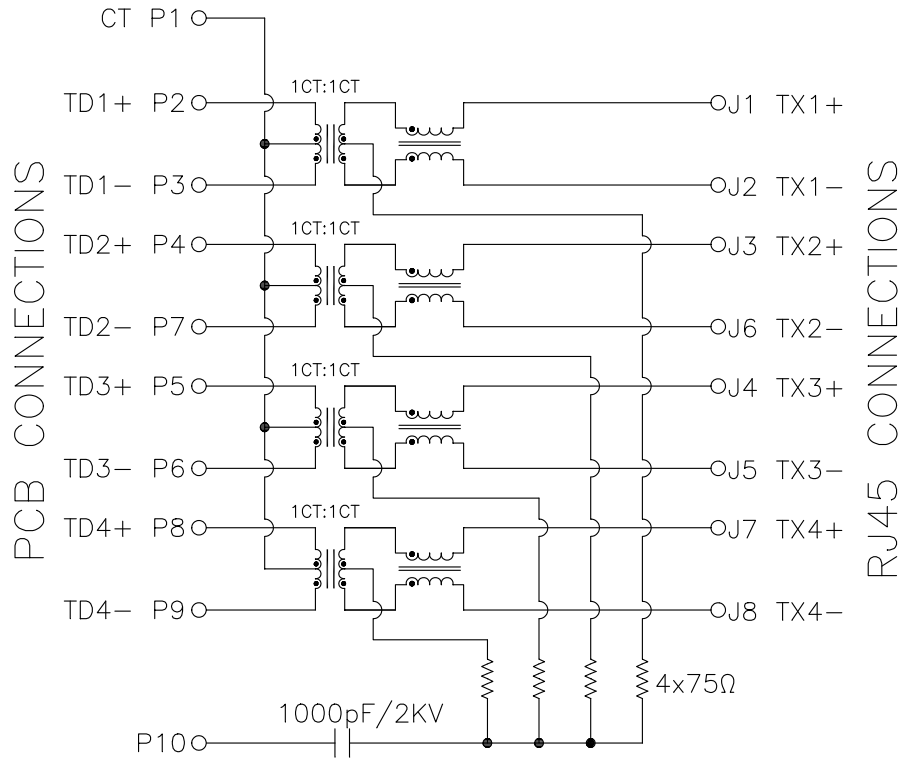
- 2.1 Lead-free process,compliant RoHS.



Recommended PCB Layout  
(Tolerance:±0.05)

 UNIT: mm [inch] TOLERANCE: Unless Otherwise Specified Tolerance Are :±0.25mm	<b>深圳市华灿天禄电子有限公司</b>	
	DESIGN: <b>Jerry Li</b>	PART NAME: RJ45 1x1 Dip Tab Zero Giga Base With LED 6u" NS
	CHECKED: <b>Jerry Li</b>	PART NO. <b>HC911130A-M893-A</b>
	APPROVED: <b>J Mou</b>	DRAW NO. <b>SLW-M893-A</b>
SCALE:1:1 SIZE:A4	SHEET NO. <b>01 OF 02</b>	

REV.	ECN NO.	LOCATIONS	DESCRIPTION	DATE	DESIGN
A		N/A	New Design	2022.4.25	Jerry Li



3. Electrical Specification @25°C:

3.1 Inductance: 350uH Min With 8mA DC bias.

3.2 Insertion loss :  
1-100MHZ -1dB max.

3.3 Return loss :  
1-30MHZ -18dB min.  
30-60MHZ -16dB min.  
60-80MHZ -12dB min.  
80-100MHZ -10dB min.

3.4 Common Mode Rejection: 1-100MHZ -30dB min.

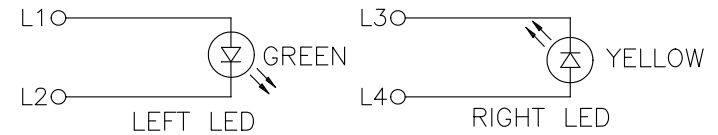
3.5 Cross Talk: 1-100MHZ -30dB min.

4. Operating and Storage Temperature:

4.1 Operating Temperature : 0°C to +70°C.

4.2 Storage Temperature : -40°C to +85°C.

5. Wave soldering peak temperature: 260°C.



Emitting Color	$\lambda_p$ (nm)	$V_f@I_f=20mA$
Green	565	1.8-2.5V
YELLOW	585	1.8-2.5V

 UNIT: mm [inch] TOLERANCE: Unless Otherwise Specified Tolerance Are: ±0.25mm	<b>深圳市华灿天禄电子有限公司</b>	
	DESIGN: Jerry Li	PART NAME: RJ45 1x1 Dip Tab Down Giga Base With LED 6u" 18
	CHECKED: Jerry Li	PART NO. HC911130A-M893-A
	APPROVED: J Mou	DRAW NO. SLW-M893-A
SCALE: 1:1 SIZE: A4	SHEET NO. 02 OF 02	