

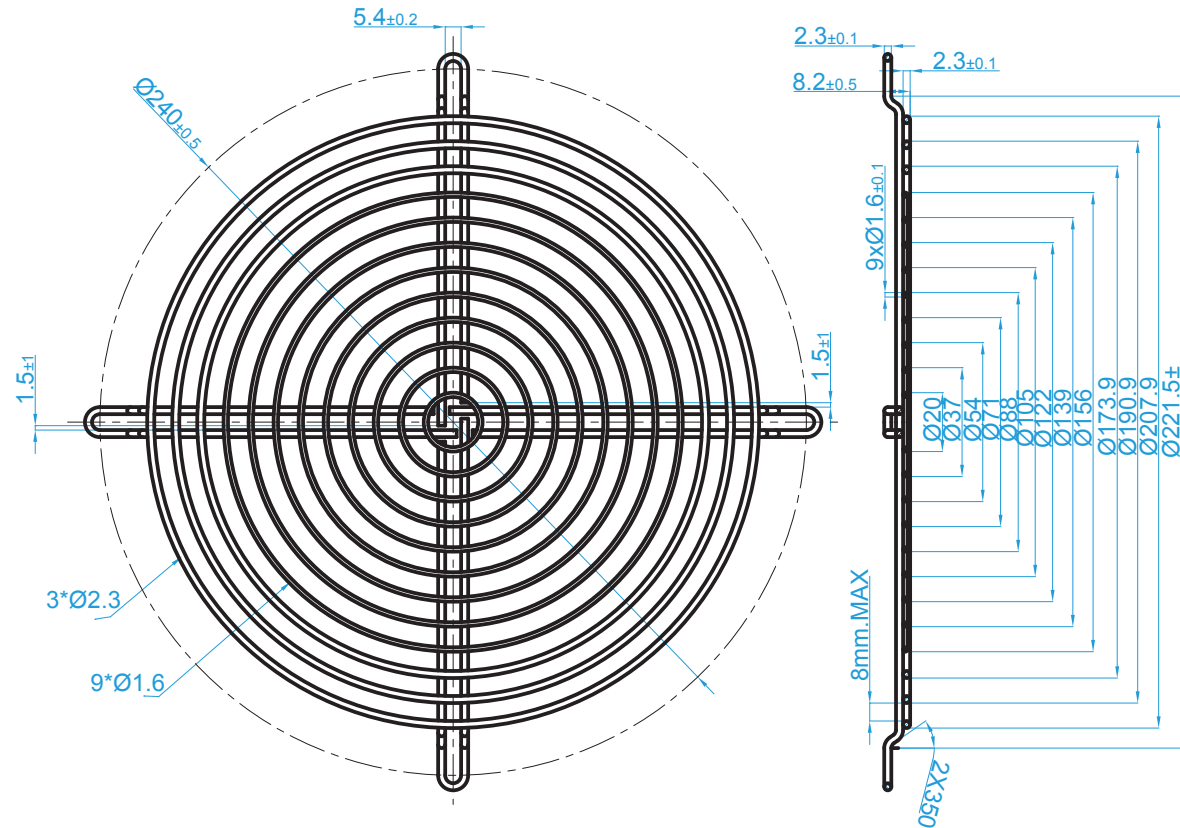


GARDTEC

Part Number:

SC100-W3

Material: C1008 Steel
Finish: Silver Powder Coat
Ring Diameter: 1.5mm and 2.3mm
Rib Diameter: 2.3mm
General Tolerance Unless Noted: ± 0.5 mm
Unit: mm
RoHS/REACH Compliant



These drawings are the property of Gardtec, Inc and cannot be reproduced for or communicated to a third party without the express written permission of Gardtec, Inc.