

RAFIX 30 FS⁺ - Selector switch, momentary, Rotating angles 2 x 40°**1.30.292.027/2200****General information**

Actuator	handle
Marking of handle	translucent white
Front ring	stainless steel
Form of collar	round

Dimensions

Dimensions of collar	ø 34.5 mm
Overall height	17.43 mm
Mounting hole	30.3 mm
Key grid	min. 35 x 35 mm

Mechanical design

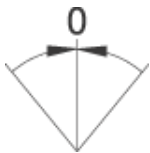
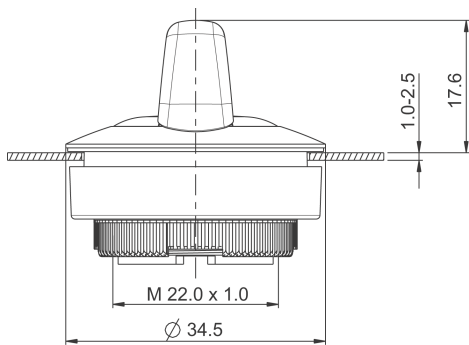
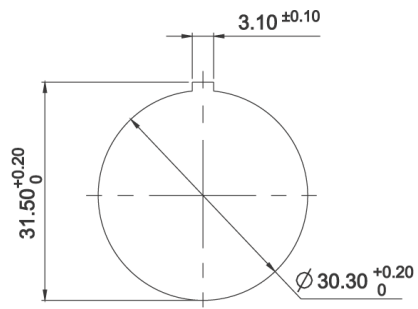
Mounting	threaded ring + adapter
Contact function	momentary
Illuminability	yes
Rotating angle	2 x 40°
Torque for nut ring	1.2 Nm

Mechanical characteristics

Torque max.	1.5 Nm
-------------	--------

Other specifications

Ambient temp. operating min.	-25 °C
Ambient temp. operating max.	+70 °C
Operating life (operations)	500,000 momentary / 300,000 latching cycle
Operating life (operations)	650,000 momentary / 400,000 latching cycle
Degree of protection from front side	IP65 (DIN EN 60529)
Storage temperature min.	-40 °C
Storage temperature max.	+80 °C
Environmental resistance	acc. to IEC 60068-2-14, -30, -33 and -78
Salt spray	IEC 600 68-2-11
ROHS compliant	yes
REACH compliant	yes



Mouser Electronics

Authorized Distributor

Click to View Pricing, Inventory, Delivery & Lifecycle Information:

[RAFI:](#)

[1.30.292.027/2200](#)