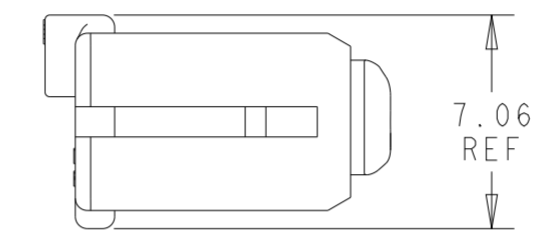
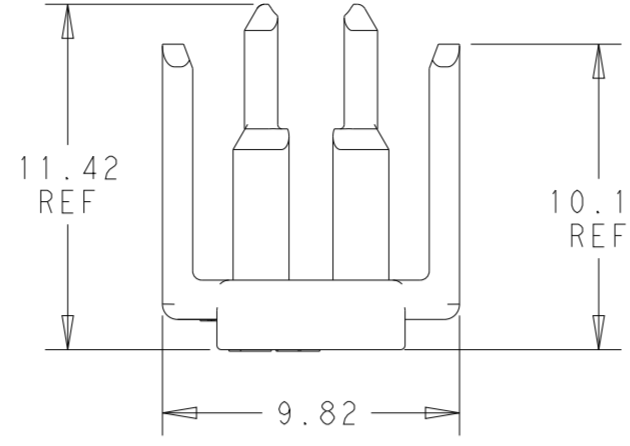
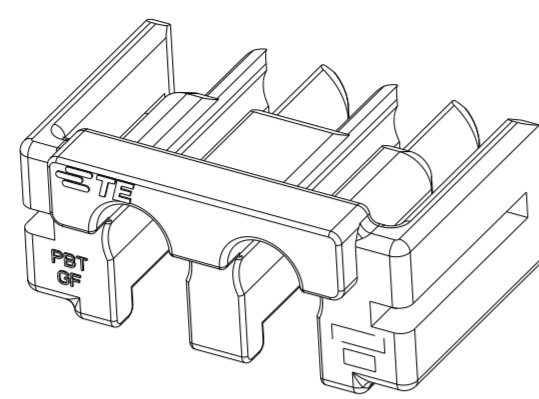
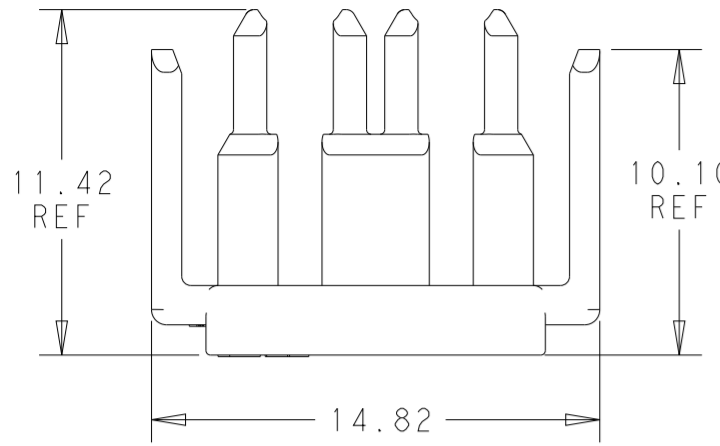
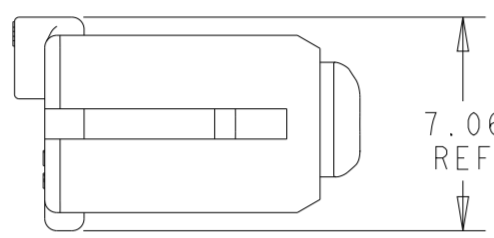


THIS DRAWING IS UNPUBLISHED. RELEASED FOR PUBLICATION 2018  
 © COPYRIGHT 2018 BY - ALL RIGHTS RESERVED.

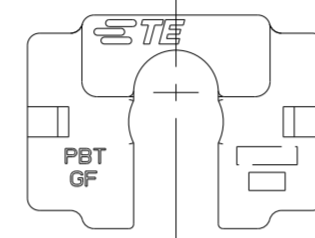
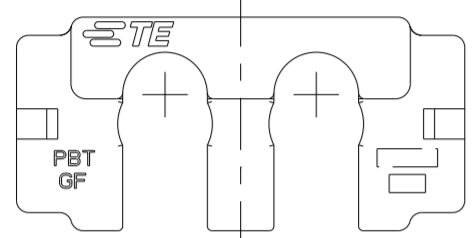
REVISIONS					
P	LTR	DESCRIPTION	DATE	DWN	APVD
10		1 POSITION ADDED	07OCT2020	BKW	DS
11		DFM RELATED MINOR CHANGE	20JUL2021	BKW	DS
A		REVISED PER ECN-21-122783	26OCT2021	SS	VS
A1		REVISED PER ECR-24-199305	23FEB2024	AK	DS



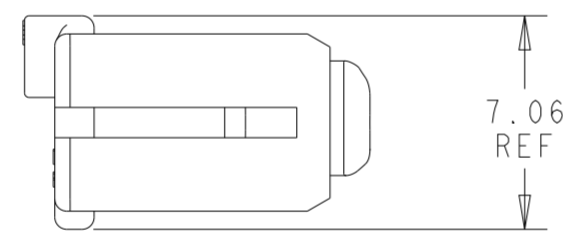
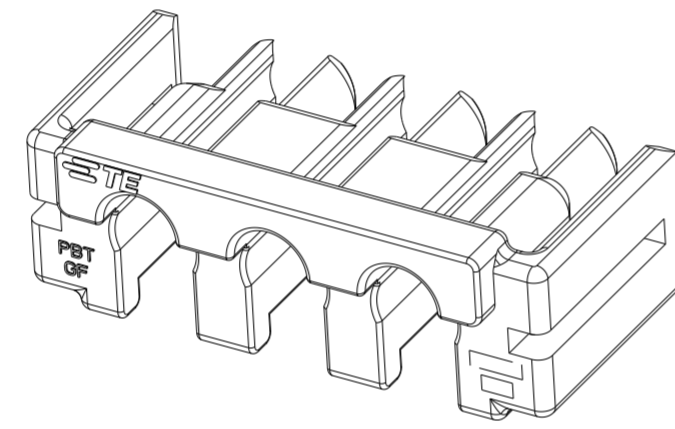
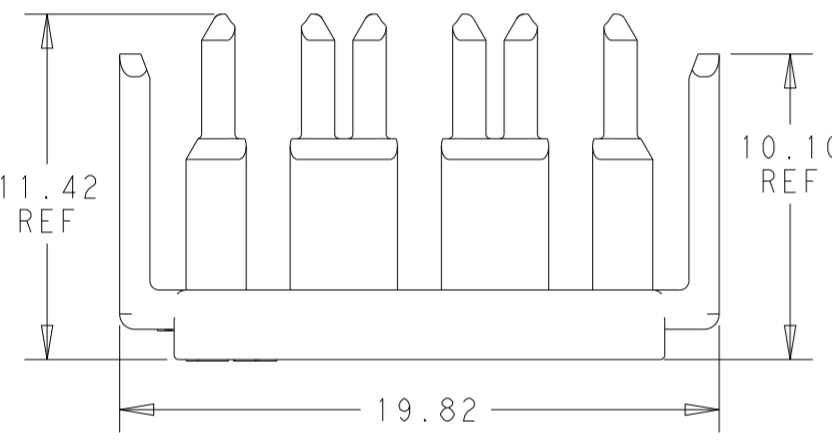
1\*1 POSITION



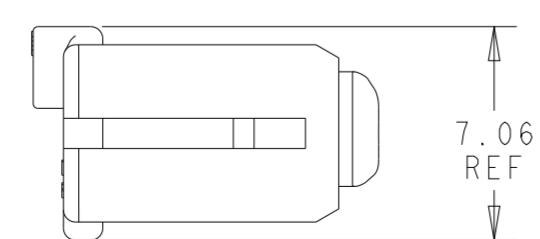
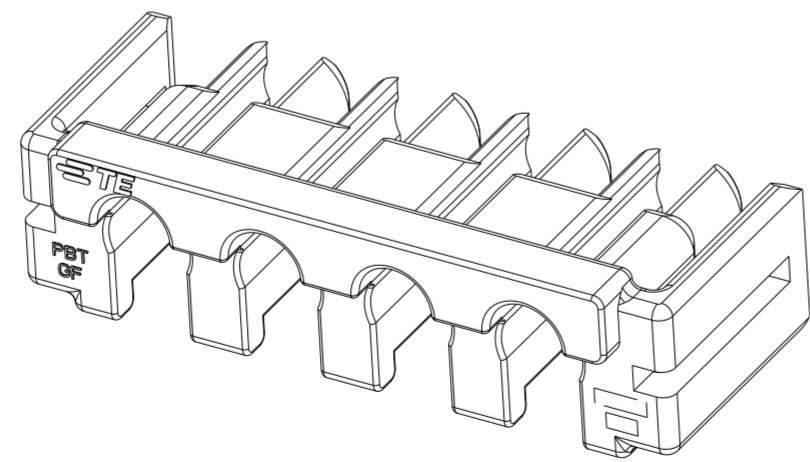
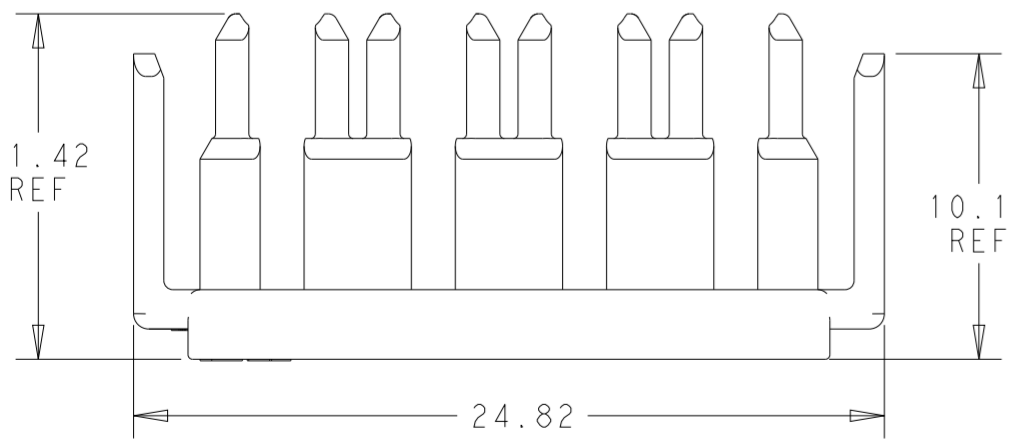
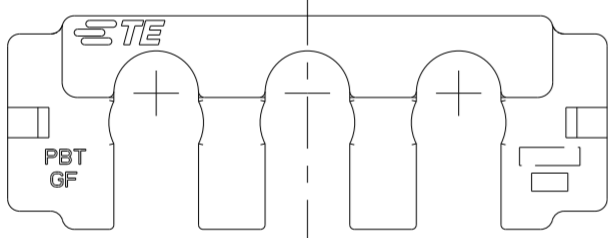
1\*2 POSITION



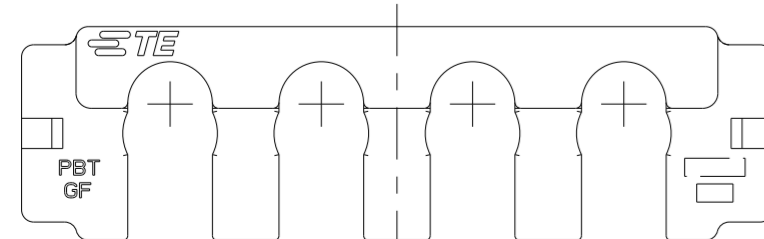
- 1. MATERIAL: PBT, GLASS FILLED  
COLOR - BLACK
- 2. MATING CONNECTOR P/N'S:  
CAP HSG - \*-2378158-\*/\*-2345729-  
PLUG HSG - \*-2378159-\*/\*-2345728-\*
- 3. PART CAN BE ASSEMBLED 180°
- 4. ACCEPTS STRANDED WIRE WITH AN INSULATION DIAMETER OF 3.1mm MAXIMUM.
- 5. FLAMMABILITY RATING: UL94 V-0



1\*3 POSITION



1\*4 POSITION



1*4	2329016-4
1*3	2329016-3
1*2	2329016-2
1*1	2329016-1
POSITIONS	PART NUMBER

THIS DRAWING IS A CONTROLLED DOCUMENT.		DWN B. WEAVER 18JUN2018	TE Connectivity NAME TPA, POWER VERSA-LOCK	
DIMENSIONS: mm		CHK S. FERNANDES 18JUN2018		
TOLERANCES UNLESS OTHERWISE SPECIFIED:		APVD C. YI 18JUN2018	PRODUCT SPEC 108-143081	
0 PLC ±		APPLICATION SPEC 114-143082		
1 PLC ±		WEIGHT -		
2 PLC ±0.50		SIZE A2		
3 PLC ±		CAGE CODE 00779		
4 PLC ±		DRAWING NO C-2329016		
ANGLES ±		RESTRICTED TO -		
FINISH -		SCALE 4:1		
MATERIAL 1		SHEET 1 OF 1		
		REV A1		