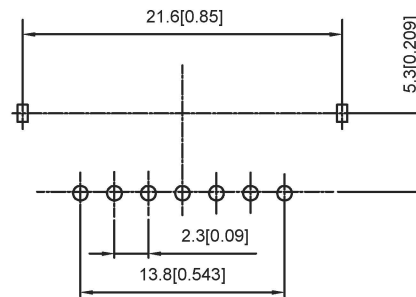
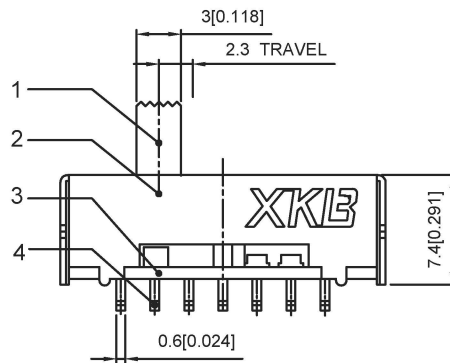


SCHEMATIC



PCB LAYOUT  
BOTTOM VIEW

SS15E01- X  
L(MM)  
2~10

RATING	0.3A 50V DC
CIRCUIT	1P7T
CONTACT RESISITANCE	100MΩ MAX
TRAVEL	2.3MM
OPERATING FORCE	250±100gf
OPERATING LIFE	10000

ITEM	PART NAME	TER. NO	QTY	MATERIAL	FINISHING	REMARK
④	Terminal	—	7	Brass (0.30t)	ag Plated	—
③	Base	—	1	Phenolic Resin		—
②	Cover	—	1	Sus	Natural	—
①	Keystake	—	1	Pa66	Black	—

广东星坤科技股份有限公司

生效日期

文件工程章

DSND	DATE	SCALE: N/A	MODEL TYPE: SLIDE SWITCH
DWN	DATE	VIEW:	PART NO.: SS15E01
CHKD	DATE	UNIT: mm/in	DWG NO.: SS15E01X
APPD	DATE	SIZE: A4	WEIGHT 1.0g
XKB INDUSTRIAL PRECISION CO., LIMITED			SHEET 1/1
UNSPECIFIED TOLERANCES			REVISION A0

REVISIONS  
www.hellokb.com www.hellokb.cn