



## Heyco® Nytye® Mounting Platforms

### Flat Platforms – Adhesive Back Mount

- Multiple sizes, strengths, and mounting options anchor Nytyes® securely.
- Five Types:
  - 1) Flat - Adhesive-Back and Screw Mounts
  - 2) Saddle - Screw Mount only
  - 3) Push Mount - Arrowhead and Blind Mounts
  - 4) Snap Over Bolt
  - 5) Stainless Steel Edge Clip "SunRunner Series"

|             | MAX. TENSILE STRENGTH |    | ADHESIVE       | INSERT POINTS | RELEASE TAB? | PART NO.                     | DESCRIPTION                      | PART DIMENSIONS |              |              |              |            |            |
|-------------|-----------------------|----|----------------|---------------|--------------|------------------------------|----------------------------------|-----------------|--------------|--------------|--------------|------------|------------|
|             | Lbs.                  | N  |                |               |              |                              |                                  | A               |              | B            |              | C          |            |
|             |                       |    |                |               |              |                              |                                  | in.             | mm.          | in.          | mm.          | in.        | mm.        |
| <b>NEW!</b> | 3                     | 13 | Rubber Acrylic | 4             | yes          | <b>3591</b><br><b>3591A</b>  | MP-050x050-ABR<br>MP-050x050-ABA | .50             | 12,7         | .50          | 12,7         | .17        | 4,3        |
| <b>NEW!</b> | 15                    | 67 | Rubber Acrylic | 4             | yes          | <b>3595</b><br><b>3595A</b>  | MP-075x075-ABR<br>MP-075x075-ABA | .75             | 19,1         | .75          | 19,1         | .28        | 7,0        |
| <b>NEW!</b> |                       |    | Rubber Acrylic | 4             | yes          | <b>3594</b><br><b>3594A</b>  | MP-080x080-ABR<br>MP-080x080-ABA | .80             | 20,3         | .80          | 20,3         | .19        | 4,8        |
| <b>NEW!</b> | 20                    | 89 | Rubber Acrylic | 4             | yes          | <b>3599</b><br><b>3599A</b>  | MP-100x100-ABR<br>MP-100x100-ABA | 1.00            | 25,4         | 1.00         | 25,4         | .32        | 8,1        |
| <b>NEW!</b> |                       |    | Rubber         | 2<br>4        | yes<br>yes   | <b>3590*</b><br><b>3593*</b> | MP-110x110-ABR<br>MP-115x115-ABR | 1.10<br>1.15    | 27,9<br>29,2 | 1.10<br>1.15 | 27,9<br>29,2 | .24<br>.26 | 6,0<br>6,6 |

Standard color natural. \*These adhesive-backed parts are also screw mountable.

### Flat Platforms – Screw Mount

- Rubber based adhesive effective up to 158°F (70°C).
- Acrylic based adhesive effective up to 167°F (75°C).
- Apply Adhesive-Backed parts to a clean, dry surface.

|             | MAX. TENSILE STRENGTH |     | SCREW SIZE |     | INSERT POINTS | PART NO.    | DESCRIPTION   | PART DIMENSIONS |      |      |      |     |     |
|-------------|-----------------------|-----|------------|-----|---------------|-------------|---------------|-----------------|------|------|------|-----|-----|
|             | Lbs.                  | N   | in.        | mm. |               |             |               | A               |      | B    |      | C   |     |
|             |                       |     |            |     |               |             |               | in.             | mm.  | in.  | mm.  | in. | mm. |
|             | 24                    | 105 | #6         | 3,5 | 4             | <b>4264</b> | MP-075x075-S6 | .75             | 19,1 | .75  | 19,1 | .24 | 6,0 |
|             | 50                    | 222 | #8         | 4,0 | 4             | <b>4265</b> | MP-038x075-S8 | .38             | 9,5  | .75  | 19,1 | .20 | 5,0 |
|             | 38                    | 170 |            |     |               | <b>3589</b> | MP-100x100-S8 | 1.00            | 25,4 | 1.00 | 25,4 | .28 | 7,1 |
| <b>NEW!</b> | 15                    | 68  |            |     | 2             | <b>3580</b> | MP-110x110-S8 | 1.10            | 27,9 | 1.10 | 27,9 | .20 | 5,1 |
| <b>NEW!</b> | 16                    | 70  | #6         | 3,5 | 4             | <b>3581</b> | MP-115x115-S6 | 1.15            | 29,2 | 1.15 | 29,2 | .22 | 5,6 |

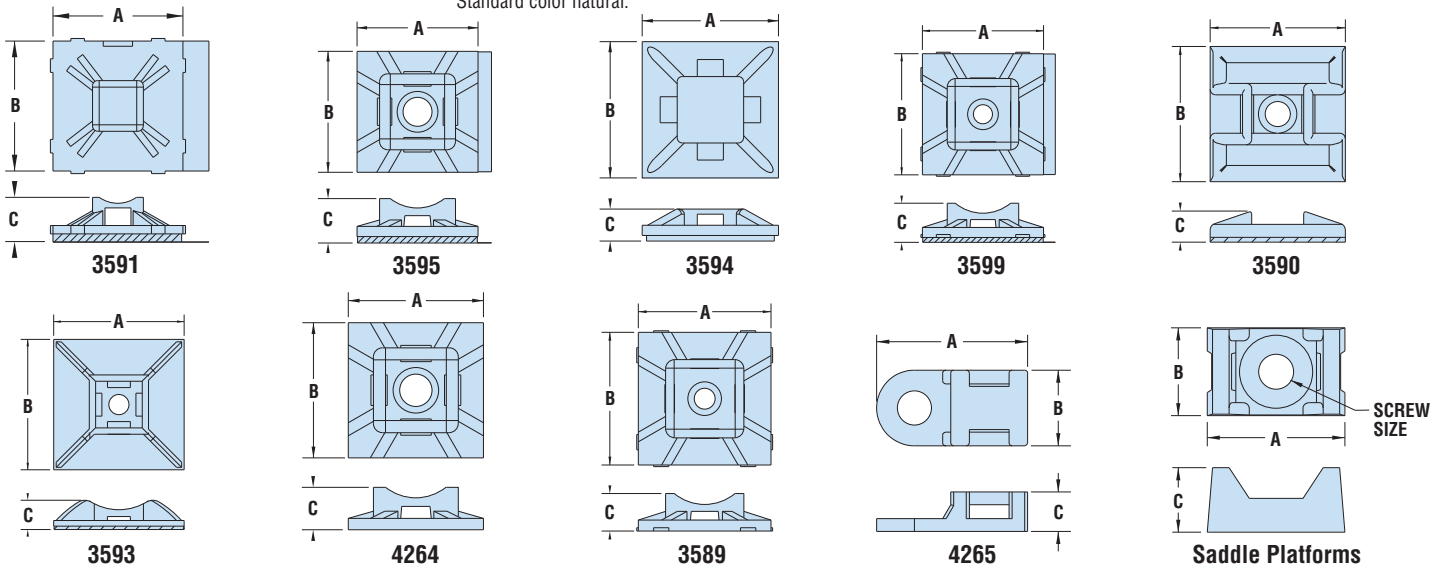
Standard color natural.

### Saddle Platforms – Screw Mount

| Tensile Lbs. | Width |     |
|--------------|-------|-----|
|              | in.   | mm. |
| 18           | .10   | 2,5 |
| 40           | .14   | 3,6 |
| 50           | .19   | 4,8 |
| 120          | .30   | 7,6 |

|  | MAX. TENSILE STRENGTH |     | SCREW SIZE |     | INSERT POINTS | PART NO.    | DESCRIPTION | PART DIMENSIONS |      |     |      |     |     |
|--|-----------------------|-----|------------|-----|---------------|-------------|-------------|-----------------|------|-----|------|-----|-----|
|  | Lbs.                  | N   | in.        | mm. |               |             |             | A               |      | B   |      | C   |     |
|  |                       |     |            |     |               |             |             | in.             | mm.  | in. | mm.  | in. | mm. |
|  | 18                    | 80  | #4         | 3,0 | 2             | <b>4269</b> | MP S-4      | .51             | 13,0 | .33 | 8,3  | .24 | 6,1 |
|  | 50                    | 222 | #8         | 4,0 | 2             | <b>3759</b> | MP S-8      | .60             | 15,2 | .38 | 9,7  | .28 | 7,0 |
|  | 120                   | 534 | #10        | 5,0 | 2             | <b>3753</b> | MP S-10     | .87             | 22,2 | .62 | 15,7 | .39 | 9,9 |

Standard color natural.



Quick Specs

|                     |   |
|---------------------|---|
| Material            | Nylon 6/6   |
| Certifications      | Recognized under the Component Program of Underwriters' Laboratories File E54523 (Adhesive-Back Mount parts only) |
| Flammability Rating | 94V-2   |
| Temperature Range   | -32°F (0°C) to 158°F (70°C)   |

# Mouser Electronics

Authorized Distributor

Click to View Pricing, Inventory, Delivery & Lifecycle Information:

[Heyco:](#)

[3590](#) [3594](#) [3753](#) [3593](#) [3759](#) [4269](#) [4265](#) [4264](#) [3591](#) [3595](#) [3599](#) [3589](#) [3595A](#) [3599A](#) [3581](#) [3580](#)