

Flat Gain, Ultra-Wideband

Monolithic Amplifier

LVA-123+

50Ω 0.01 to 12 GHz



CASE STYLE: DQ849

The Big Deal

- Ultra broadband performance
- Excellent Gain Flatness through 8 GHz
- Broadband without external matching components

Product Overview

LVA-123+ (RoHS compliant) is an advanced ultra-wideband amplifier fabricated using GaAs HBT technology and offers excellent gain flatness over a broad frequency range. In addition, the LVA-123+ has good input and output return loss over this frequency range without the need for external matching components. Lead finish is tin-silver over nickel. It has repeatable performance from lot to lot and is enclosed in a 3x3 mm 8-lead package for very good thermal performance.

Key Features

Feature	Advantages
Ultra Broad Band: 0.01 to 12 GHz	Broadband covering primary wireless communications bands: Cellular, PCS, LTE, WiMAX in a single amplifier.
Ultra Flat Gain ±0.6 dB typ. 0.05 - 6 GHz ±1.0 dB typ. 0.05 - 8 GHz	Ultra Flat Gain, eliminates need for compensation networks to achieve published results
Wideband Bias-Tee, TCBT-123+	Enables customer to realize full BW without changing any components
No External Matching Components Required	LVA-123+ provides good Input and Output Return Loss of 12-28 dB over 0.05 - 6 GHz without the need for any external matching components
Excellent ESD HBM: class 1C (1000 to <2000V) MM: class M2 (100 to <200V)	Simplifies ESD handling.



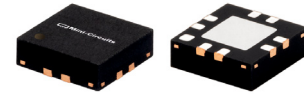
Flat Gain, Ultra-Wideband

Monolithic Amplifier

0.01-12 GHz

Product Features

- Excellent Gain Flatness, ± 0.6 dB, 0.05-6 GHz
- Gain, 17.3 dB typ. at 2 GHz
- Excellent input return loss, 20 dB typ., 2 GHz



Generic photo used for illustration purposes only

LVA-123+

CASE STYLE: DQ849

+RoHS Compliant

The +Suffix identifies RoHS Compliance. See our web site for RoHS Compliance methodologies and qualifications

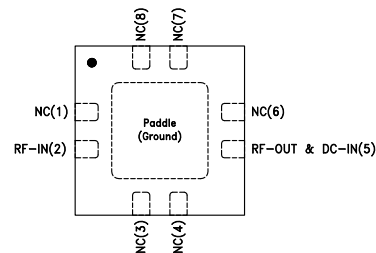
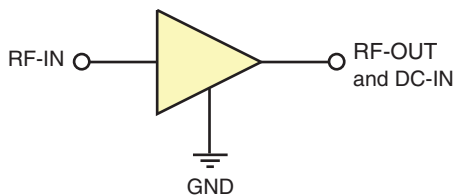
Typical Applications

- Base station infrastructure
- Test instruments
- MMDS & Wireless LAN
- LTE
- Satellite communication
- Avionics

General Description

LVA-123+ (RoHS compliant) is an advanced ultra-wideband amplifier fabricated using GaAs HBT technology and offers excellent gain flatness over a broad frequency range. In addition, the LVA-123+ has good input and output return loss over this frequency range without the need for external matching components. Lead finish is tin-silver over nickel. It has repeatable performance from lot to lot and is enclosed in a 3x3 mm 8-lead package for very good thermal performance.

simplified schematic and pin description



Function	Pin Number	Description
RF IN	2	RF input pin. This pin requires the use of an external DC blocking capacitor chosen for the frequency of operation.
RF-OUT and DC-IN	5	RF output and bias pin. DC voltage is present on this pin; therefore a DC blocking capacitor is necessary for proper operation. An RF choke is needed to feed DC bias without loss of RF signal due to the bias connection, as shown in "Recommended Application Circuit", Fig. 2
GND	Paddle	Connections to ground. Use via holes as shown in "Suggested Layout for PCB Design" to reduce ground path inductance for best performance.
NC	1,3,4,6,7,8	No connection

Electrical Specifications¹ at 25°C and Vcc=5V, R= 16.5Ω unless noted

Parameter	Condition (GHz)	Min.	Typ.	Max.	Units
Frequency range		0.01		12.0	GHz
Gain	0.05	—	16.5	—	dB
	0.85	—	17.4	—	
	2.0	15.6	17.3	19.0	
	6.0	—	16.7	—	
	8.0	—	14.7	—	
	10.0	—	11.6	—	
	12.0	—	8.1	—	
Gain flatness	0.05-6		±0.6		dB
Input return loss	0.05	—	13.7	—	dB
	0.85	—	25.0	—	
	2.0	16.0	25.0	—	
	6.0	—	18.3	—	
	8.0	—	9.7	—	
	10.0	—	6.9	—	
	12.0	—	5.2	—	
Output return loss	0.05		13.5		dB
	0.85		21.3		
	2.0		16.5		
	6.0		11.6		
	8.0		7.1		
	10.0		6.2		
	12.0		5.2		
Reverse isolation	6.0		19.2		dB
Output power at 1dB compression	0.05		17.2		dBm
	0.85		16.5		
	2.0		15.6		
	6.0		13.3		
	8.0		10.8		
	10.0		7.8		
	12.0		5.3		
Output IP3	0.2		29.0		dBm
	0.85		30.3		
	2.0		28.2		
	6.0		23.6		
	8.0		22.1		
	10.0		18.5		
	12.0		15.5		
Noise figure	0.2		3.7		dB
	0.85		3.7		
	2.0		3.9		
	6.0		4.1		
	8.0		4.4		
	10.0		5.2		
	12.0		5.9		
Supply operating voltage (Vcc)		4.8	5.0	5.2	V
Device operating current		—	52	57	mA
Device current variation vs. temperature ²			59		μA/°C
Device current variation vs. voltage			0.019		mA/mV
Thermal resistance, junction-to-ground lead			156		°C/W

1. Measured on Mini-Circuits Characterization test board TB-841+. See Characterization Test Circuit (Fig. 1)

2. (Current at 85°C — Current at -45°C)/130

Absolute Maximum Ratings³

Parameter	Ratings
Operating temperature (ground lead)	-40°C to 85°C
Storage temperature	-65°C to 150°C
Operating current at 5V (Vcc) & 16.5Ω resistor	100 mA
Power dissipation	0.34 W
Input power (CW)	28 dBm (5 min max.) 11 dBm (continuous)
DC voltage on Pad 5	6 V

3. Permanent damage may occur if any of these limits are exceeded.
Electrical maximum ratings are not intended for continuous normal operation.



Characterization Test Circuit

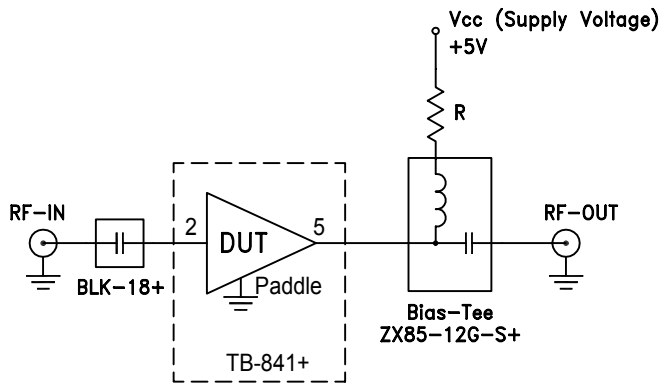


Fig 1. Block Diagram of Test Circuit used for characterization. (DUT soldered on Mini-Circuits Characterization test board TB-841+) Gain, Return loss, Output power at 1dB compression (P1 dB) , output IP3 (OIP3) and noise figure measured using Agilent’s N5242A PNA-X microwave network analyzer. (R=16.5Ω)

Conditions:

1. Gain and Return loss: Pin= -25dBm
2. Output IP3 (OIP3): Two tones, spaced 1 MHz apart, 0 dBm/tone at output.

Recommended Application Circuit

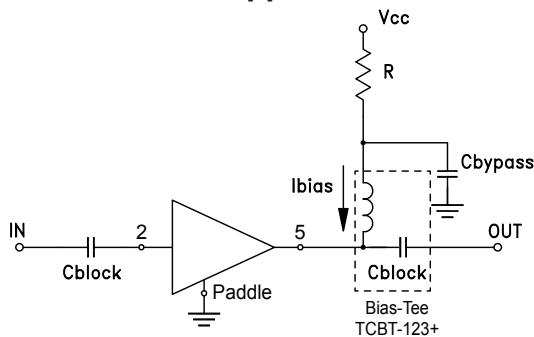
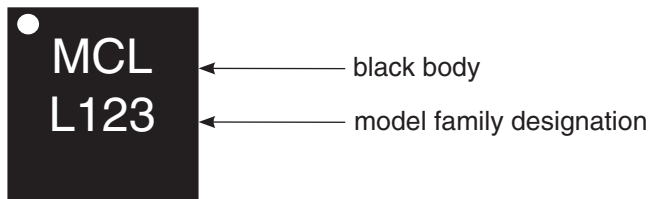


Fig 2. Test Board includes case, connectors, and components soldered to PCB (Cblock=0.001 μF, Cbypass=0.1 μF, R=16.5Ω)

Product Marking



Additional Detailed Technical Information	
<i>additional information is available on our dash board. To access this information click here</i>	
Performance Data	Data Table
	Swept Graphs
	S-Parameter (S2P Files) Data Set (.zip file)
Case Style	DQ849 Plastic package, exposed paddle, lead finish: Matte-Tin
Tape & Reel Standard quantities available on reel	F104 7" reels with 10, 20, 50, 100, 200, 500, 1K or 2K devices
Suggested Layout for PCB Design	PL-473
Evaluation Board	TB-877+
Environmental Ratings	ENV08T1

ESD Rating*

Human Body Model (HBM): Class 1C (1000 to <2000V) in accordance with ANSI/ESD STM 5.1 - 2001

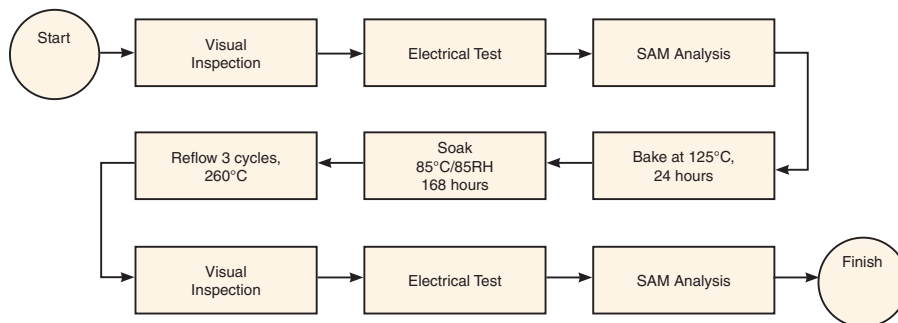
Machine Model (MM): Class M2 (100 to <200V) in accordance with ANSI/ESD STM5.2-1999

*Measured in industry standard SOT-89 package

MSL Rating

Moisture Sensitivity: MSL1 in accordance with IPC/JEDEC J-STD-020D

MSL Test Flow Chart



Additional Notes

- A. Performance and quality attributes and conditions not expressly stated in this specification document are intended to be excluded and do not form a part of this specification document.
- B. Electrical specifications and performance data contained in this specification document are based on Mini-Circuit's applicable established test performance criteria and measurement instructions.
- C. The parts covered by this specification document are subject to Mini-Circuits standard limited warranty and terms and conditions (collectively, "Standard Terms"); Purchasers of this part are entitled to the rights and benefits contained therein. For a full statement of the Standard Terms and the exclusive rights and remedies thereunder, please visit Mini-Circuits' website at www.minicircuits.com/MCLStore/terms.jsp

Typical Performance Data

NOTE: Use PDF Bookmarks to view DATA at required conditions

Definitions:

Input Return Loss = -S11 (dB)

Gain(Power Gain) = S21 (dB)

Reverse Isolation = -S12 (dB)

Output Return Loss = -S22 (dB)

TEST CONDITIONS: Vd = 5.00V, Id = 46.90mA @ Temperature = +25°C

FREQ	Gain	Isolation	Input Return Loss	Output Return Loss	Stability		IP-3 Output	1dB Comp. Output	Noise Figure
					K	Measure			
(MHz)	(dB)	(dB)	(dB)	(dB)			(dBm)	(dBm)	(dB)
50	16.50	21.05	13.80	13.66	1.09	0.62	19.33	17.07	5.26
100	17.51	19.98	18.53	18.36	1.04	0.41	26.62	15.63	4.12
200	17.67	19.85	27.67	24.23	1.03	0.39	29.95	15.96	3.59
400	17.51	20.07	43.68	24.53	1.04	0.44	30.74	16.42	3.60
600	17.44	20.16	56.02	23.55	1.05	0.46	30.39	16.52	3.62
800	17.40	20.19	64.71	22.62	1.05	0.47	30.81	16.53	3.70
1000	17.38	20.21	47.72	21.71	1.05	0.47	29.48	16.35	3.66
1200	17.35	20.22	40.89	20.82	1.05	0.47	30.27	16.37	3.75
1400	17.33	20.23	36.17	19.98	1.05	0.47	30.09	16.30	3.78
1600	17.32	20.23	33.07	19.39	1.05	0.47	30.12	16.33	3.77
1800	17.30	20.23	30.38	18.68	1.05	0.47	30.42	16.37	3.82
2000	17.29	20.23	28.30	18.05	1.05	0.47	29.84	16.24	3.82
2200	17.27	20.21	26.97	17.61	1.05	0.47	29.14	15.78	3.84
2400	17.26	20.20	25.56	17.02	1.05	0.47	29.33	15.86	3.81
2600	17.25	20.18	24.68	16.75	1.05	0.46	29.20	15.82	3.92
2800	17.24	20.16	23.61	16.40	1.04	0.46	28.79	15.82	3.93
3000	17.22	20.13	22.85	16.05	1.04	0.46	28.24	15.49	3.81
3200	17.21	20.09	22.36	15.93	1.04	0.46	27.88	15.63	3.90
3400	17.20	20.06	21.85	15.59	1.04	0.45	27.75	15.44	3.89
3600	17.19	20.01	21.86	15.57	1.04	0.45	27.33	15.21	3.88
3800	17.18	19.96	21.61	15.44	1.03	0.44	27.11	15.26	3.92
4000	17.17	19.91	21.78	15.25	1.03	0.44	26.63	15.11	3.98
4500	17.12	19.76	22.98	15.08	1.02	0.43	25.88	14.58	3.95
5000	17.07	19.59	26.15	14.54	1.01	0.41	24.88	14.00	4.00
5500	16.95	19.42	27.51	13.85	1.00	0.41	24.92	13.84	4.04
6000	16.74	19.31	23.38	12.50	1.00	0.41	24.18	13.43	4.07
6500	16.45	19.25	18.92	11.16	0.99	0.41	23.99	12.86	4.17
7000	16.07	19.24	15.47	9.95	0.98	0.43	23.77	12.21	4.17
7500	15.60	19.29	13.06	8.99	0.98	0.46	23.17	11.43	4.24
8000	15.07	19.38	11.44	8.33	0.98	0.52	23.03	10.73	4.30
8500	14.48	19.50	10.31	7.85	0.98	0.58	22.02	10.05	4.39
9000	13.84	19.65	9.25	7.68	0.98	0.66	21.06	9.18	4.57
9500	13.19	19.81	8.80	7.76	0.99	0.74	20.64	8.66	4.74
10000	12.56	19.99	8.45	7.80	1.01	0.81	19.34	8.15	4.92
10500	11.88	20.20	7.85	7.76	1.01	0.89	18.99	7.60	5.04
11000	11.13	20.42	7.38	7.69	1.03	0.95	18.49	7.12	5.14
11500	10.32	20.71	6.98	7.30	1.06	0.99	18.06	6.69	5.36
12000	9.46	21.03	6.47	6.85	1.09	1.01	16.48	6.20	5.49
12500	8.59	21.31	6.13	6.26	1.13	1.01	16.22	5.77	5.53
13000	7.56	21.71	5.60	5.74	1.18	1.00	15.38	5.50	5.75

Typical Performance Data

Definitions:

Input Return Loss = -S11 (dB)

Gain(Power Gain) = S21 (dB)

Reverse Isolation = -S12 (dB)

Output Return Loss = -S22 (dB)

TEST CONDITIONS: Vd = 4.75V, Id = 42.29mA @ Temperature = +25°C

FREQ	Gain	Isolation	Input Return Loss	Output Return Loss	Stability		IP-3 Output	1dB Comp. Output	Noise Figure
					K	Measure			
(MHz)	(dB)	(dB)	(dB)	(dB)	K	Measure	(dBm)	(dBm)	(dB)
50	16.42	20.98	13.94	13.51	1.09	0.62	24.33	15.89	5.21
100	17.41	19.91	18.48	18.15	1.04	0.41	27.46	13.91	4.07
200	17.57	19.79	26.64	23.45	1.03	0.39	28.37	14.75	3.57
400	17.42	20.01	37.25	23.51	1.04	0.44	29.21	15.42	3.61
600	17.35	20.09	42.33	22.63	1.05	0.46	29.00	15.56	3.56
800	17.31	20.13	42.91	21.79	1.05	0.47	29.22	15.59	3.64
1000	17.28	20.15	39.72	20.96	1.05	0.47	28.07	15.39	3.66
1200	17.26	20.16	36.44	20.14	1.05	0.48	28.84	15.38	3.68
1400	17.24	20.17	33.31	19.35	1.05	0.48	28.57	15.31	3.74
1600	17.22	20.17	30.90	18.79	1.05	0.48	28.80	15.36	3.73
1800	17.20	20.17	28.78	18.12	1.05	0.48	29.14	15.42	3.77
2000	17.19	20.16	27.05	17.52	1.05	0.47	28.68	15.30	3.78
2200	17.17	20.15	25.87	17.10	1.05	0.47	27.76	14.80	3.80
2400	17.15	20.13	24.64	16.54	1.05	0.47	28.15	14.89	3.77
2600	17.14	20.11	23.88	16.27	1.05	0.47	28.11	14.87	3.88
2800	17.13	20.09	22.89	15.93	1.04	0.46	27.90	14.90	3.89
3000	17.11	20.06	22.21	15.59	1.04	0.46	27.34	14.60	3.79
3200	17.10	20.02	21.75	15.48	1.04	0.46	27.07	14.78	3.85
3400	17.09	19.98	21.30	15.14	1.04	0.45	27.02	14.60	3.85
3600	17.08	19.93	21.31	15.12	1.03	0.45	26.61	14.41	3.85
3800	17.06	19.88	21.09	14.99	1.03	0.45	26.50	14.52	3.85
4000	17.05	19.82	21.26	14.80	1.03	0.44	26.06	14.40	3.94
4500	17.00	19.66	22.41	14.66	1.02	0.43	25.45	13.95	3.91
5000	16.93	19.49	25.30	14.12	1.01	0.42	24.48	13.43	3.96
5500	16.81	19.31	26.63	13.47	1.00	0.41	24.60	13.32	3.99
6000	16.59	19.19	23.14	12.19	0.99	0.41	23.90	12.97	4.00
6500	16.29	19.13	18.86	10.91	0.99	0.42	23.72	12.45	4.13
7000	15.91	19.11	15.45	9.73	0.98	0.43	23.48	11.87	4.13
7500	15.42	19.17	13.04	8.80	0.98	0.47	22.81	11.13	4.16
8000	14.88	19.26	11.43	8.16	0.97	0.52	22.67	10.40	4.24
8500	14.29	19.38	10.30	7.68	0.97	0.58	21.58	9.75	4.31
9000	13.65	19.53	9.25	7.51	0.97	0.66	20.60	8.87	4.49
9500	12.99	19.70	8.79	7.59	0.99	0.74	20.19	8.34	4.68
10000	12.36	19.87	8.44	7.62	1.01	0.81	18.85	7.86	4.83
10500	11.68	20.08	7.85	7.59	1.01	0.88	18.44	7.27	4.96
11000	10.94	20.31	7.38	7.54	1.03	0.95	17.95	6.79	5.08
11500	10.14	20.59	6.98	7.17	1.06	0.98	17.47	6.37	5.21
12000	9.29	20.90	6.48	6.76	1.09	1.01	15.91	5.88	5.37
12500	8.43	21.19	6.14	6.20	1.13	1.00	15.65	5.41	5.40
13000	7.41	21.59	5.61	5.70	1.18	1.00	14.90	5.17	5.62

Typical Performance Data

Definitions:

Input Return Loss = -S11 (dB)

Gain(Power Gain) = S21 (dB)

Reverse Isolation = -S12 (dB)

Output Return Loss = -S22 (dB)

TEST CONDITIONS: Vd = 5.25V, Id = 51.82mA @ Temperature = +25°C

FREQ	Gain	Isolation	Input Return Loss	Output Return Loss	Stability		IP-3 Output	1dB Comp. Output	Noise Figure
					K	Measure			
(MHz)	(dB)	(dB)	(dB)	(dB)	K	Measure	(dBm)	(dBm)	(dB)
50	16.54	21.00	15.22	15.25	1.09	0.63	22.38	17.96	5.11
100	17.48	20.15	19.29	18.84	1.04	0.44	24.55	17.36	4.14
200	17.72	19.93	28.89	24.74	1.03	0.39	29.38	17.26	3.61
400	17.58	20.12	58.48	25.42	1.04	0.44	32.16	17.34	3.67
600	17.51	20.21	44.51	24.37	1.05	0.46	31.84	17.38	3.70
800	17.48	20.24	44.57	23.36	1.05	0.47	32.27	17.38	3.74
1000	17.45	20.26	47.12	22.38	1.05	0.47	30.68	17.23	3.73
1200	17.43	20.27	44.76	21.43	1.05	0.47	31.51	17.24	3.78
1400	17.41	20.28	39.11	20.54	1.05	0.47	31.34	17.17	3.82
1600	17.40	20.29	35.30	19.92	1.05	0.47	31.37	17.19	3.82
1800	17.38	20.29	31.96	19.18	1.05	0.47	31.69	17.21	3.87
2000	17.37	20.28	29.49	18.52	1.05	0.47	30.82	17.09	3.85
2200	17.36	20.27	28.02	18.06	1.05	0.47	30.10	16.69	3.87
2400	17.34	20.26	26.42	17.46	1.05	0.47	30.19	16.73	3.87
2600	17.34	20.24	25.48	17.17	1.05	0.46	29.98	16.67	3.96
2800	17.33	20.22	24.32	16.82	1.04	0.46	29.55	16.62	3.99
3000	17.32	20.19	23.48	16.45	1.04	0.46	28.90	16.29	3.86
3200	17.31	20.16	22.97	16.33	1.04	0.45	28.52	16.39	3.94
3400	17.30	20.12	22.40	15.98	1.04	0.45	28.31	16.17	3.94
3600	17.29	20.08	22.40	15.96	1.04	0.45	27.88	15.93	3.93
3800	17.28	20.03	22.14	15.82	1.03	0.44	27.56	15.93	3.96
4000	17.27	19.98	22.30	15.63	1.03	0.44	27.08	15.70	4.01
4500	17.24	19.84	23.58	15.49	1.02	0.43	26.24	15.11	3.99
5000	17.19	19.68	27.04	14.90	1.01	0.41	25.22	14.51	4.08
5500	17.08	19.52	28.27	14.17	1.01	0.40	25.22	14.27	4.11
6000	16.88	19.41	23.46	12.76	1.00	0.40	24.40	13.84	4.12
6500	16.60	19.36	18.90	11.36	0.99	0.41	24.23	13.23	4.23
7000	16.24	19.34	15.45	10.12	0.99	0.42	24.03	12.56	4.23
7500	15.78	19.40	13.04	9.13	0.98	0.46	23.47	11.76	4.28
8000	15.25	19.49	11.43	8.46	0.98	0.51	23.33	11.07	4.36
8500	14.68	19.60	10.30	7.97	0.98	0.57	22.41	10.41	4.47
9000	14.05	19.75	9.25	7.79	0.98	0.65	21.49	9.50	4.66
9500	13.40	19.92	8.80	7.89	0.99	0.74	21.11	9.01	4.85
10000	12.77	20.09	8.46	7.91	1.01	0.81	19.90	8.51	5.00
10500	12.09	20.30	7.86	7.90	1.01	0.89	19.60	7.96	5.16
11000	11.34	20.53	7.40	7.81	1.03	0.95	19.13	7.43	5.31
11500	10.53	20.81	6.98	7.41	1.06	0.99	18.68	7.05	5.47
12000	9.66	21.13	6.48	6.93	1.09	1.02	17.07	6.50	5.65
12500	8.78	21.43	6.13	6.31	1.12	1.01	16.83	6.11	5.70
13000	7.73	21.83	5.59	5.78	1.18	1.01	15.98	5.84	5.93

Typical Performance Data

Definitions:

Input Return Loss = -S11 (dB)

Gain(Power Gain) = S21 (dB)

Reverse Isolation = -S12 (dB)

Output Return Loss = -S22 (dB)

TEST CONDITIONS: Vd = 5.00V, Id = 43.20mA @ Temperature = -45°C

FREQ	Gain	Isolation	Input Return Loss	Output Return Loss	Stability		IP-3 Output	1dB Comp. Output	Noise Figure
					K	Measure			
(MHz)	(dB)	(dB)	(dB)	(dB)			(dBm)	(dBm)	(dB)
50	16.62	21.17	13.52	13.51	1.09	0.62	27.66	16.26	4.47
100	17.66	20.06	18.41	18.12	1.03	0.40	28.50	14.10	3.38
200	17.84	19.92	27.64	24.04	1.03	0.38	29.23	14.96	2.89
400	17.69	20.14	47.97	25.09	1.04	0.43	30.08	15.62	2.93
600	17.63	20.22	44.81	23.99	1.04	0.45	29.92	15.79	2.95
800	17.60	20.25	45.67	22.99	1.04	0.45	30.31	15.82	2.97
1000	17.58	20.26	47.04	22.17	1.04	0.46	29.14	15.58	2.96
1200	17.56	20.27	61.39	21.23	1.04	0.46	29.84	15.60	3.03
1400	17.55	20.27	48.68	20.40	1.04	0.46	29.71	15.55	3.04
1600	17.54	20.27	40.67	19.67	1.04	0.45	29.96	15.65	3.08
1800	17.53	20.26	35.75	18.89	1.04	0.45	30.22	15.76	3.07
2000	17.52	20.25	33.61	18.29	1.04	0.45	29.82	15.63	3.10
2200	17.51	20.23	32.07	17.88	1.04	0.45	28.90	15.04	3.09
2400	17.50	20.20	30.49	17.24	1.04	0.44	29.51	15.24	3.08
2600	17.50	20.18	29.61	16.90	1.04	0.44	29.34	15.28	3.17
2800	17.49	20.15	27.70	16.46	1.03	0.43	29.17	15.33	3.20
3000	17.49	20.12	26.97	16.07	1.03	0.43	28.57	15.06	3.06
3200	17.49	20.08	26.37	15.86	1.03	0.42	28.38	15.25	3.12
3400	17.48	20.04	25.99	15.37	1.03	0.41	28.31	15.12	3.14
3600	17.48	19.99	26.34	15.23	1.02	0.41	27.97	14.92	3.10
3800	17.47	19.94	25.53	14.97	1.02	0.40	27.85	15.09	3.14
4000	17.47	19.89	25.86	14.66	1.02	0.39	27.33	15.06	3.17
4500	17.46	19.73	27.07	14.13	1.01	0.37	26.74	14.67	3.16
5000	17.44	19.57	30.39	13.42	1.00	0.35	25.65	14.02	3.20
5500	17.38	19.40	28.15	12.62	0.98	0.33	25.72	14.12	3.24
6000	17.23	19.28	22.45	11.17	0.97	0.31	24.87	13.95	3.26
6500	17.02	19.23	18.14	9.81	0.96	0.30	24.60	13.52	3.37
7000	16.73	19.21	14.80	8.66	0.95	0.30	24.63	13.10	3.39
7500	16.35	19.27	12.46	7.67	0.94	0.32	24.12	12.36	3.41
8000	15.92	19.35	11.14	7.05	0.93	0.35	23.92	11.59	3.48
8500	15.45	19.44	10.05	6.61	0.92	0.40	22.87	10.89	3.54
9000	14.93	19.59	9.09	6.42	0.91	0.48	22.19	9.95	3.73
9500	14.44	19.69	8.89	6.58	0.91	0.57	21.69	9.42	3.87
10000	13.93	19.83	8.54	6.70	0.91	0.65	20.37	8.89	4.05
10500	13.45	19.96	8.17	6.89	0.90	0.74	20.06	8.31	4.13
11000	12.90	20.10	7.80	7.02	0.89	0.83	19.66	7.82	4.24
11500	12.22	20.32	7.42	6.85	0.89	0.89	19.22	7.41	4.37
12000	11.52	20.58	6.82	6.73	0.88	0.96	17.65	6.89	4.52
12500	10.74	20.83	6.50	6.10	0.87	0.96	17.99	6.45	4.49
13000	9.72	21.25	5.78	5.68	0.88	0.99	16.21	6.11	4.68

Typical Performance Data

Definitions:

Input Return Loss = -S11 (dB)

Gain(Power Gain) = S21 (dB)

Reverse Isolation = -S12 (dB)

Output Return Loss = -S22 (dB)

TEST CONDITIONS: Vd = 4.75V, Id = 38.51mA @ Temperature = -45°C

FREQ	Gain	Isolation	Input Return Loss	Output Return Loss	Stability		IP-3 Output	1dB Comp. Output	Noise Figure
					K	Measure			
(MHz)	(dB)	(dB)	(dB)	(dB)			(dBm)	(dBm)	(dB)
50	16.53	21.08	13.71	13.41	1.09	0.61	28.71	13.77	4.40
100	17.56	19.99	18.38	17.94	1.03	0.40	26.55	12.49	3.35
200	17.74	19.86	26.52	23.27	1.03	0.38	27.41	13.63	2.92
400	17.60	20.07	39.21	23.97	1.04	0.43	28.08	14.35	2.88
600	17.53	20.15	43.22	22.98	1.04	0.45	27.97	14.52	2.92
800	17.50	20.18	45.85	22.10	1.04	0.45	28.28	14.55	3.00
1000	17.48	20.19	48.22	21.36	1.04	0.46	27.25	14.37	2.92
1200	17.46	20.20	42.85	20.50	1.04	0.46	27.91	14.36	3.01
1400	17.45	20.20	39.53	19.73	1.04	0.46	27.91	14.33	3.02
1600	17.44	20.19	35.71	19.04	1.04	0.46	28.21	14.44	3.01
1800	17.42	20.19	32.80	18.30	1.04	0.45	28.51	14.52	3.05
2000	17.41	20.17	31.29	17.74	1.04	0.45	28.11	14.44	3.06
2200	17.41	20.15	29.99	17.35	1.04	0.45	27.20	13.81	3.08
2400	17.40	20.13	28.80	16.73	1.04	0.44	27.73	14.01	3.04
2600	17.39	20.10	28.10	16.41	1.04	0.44	27.81	14.08	3.15
2800	17.38	20.07	26.46	15.98	1.03	0.43	27.70	14.14	3.18
3000	17.37	20.03	25.87	15.61	1.03	0.43	27.18	13.91	3.04
3200	17.37	19.99	25.33	15.40	1.03	0.42	27.02	14.12	3.10
3400	17.36	19.95	25.03	14.92	1.02	0.42	27.10	14.03	3.08
3600	17.36	19.90	25.32	14.79	1.02	0.41	26.83	13.85	3.07
3800	17.35	19.85	24.62	14.54	1.02	0.40	26.77	14.06	3.11
4000	17.35	19.79	24.95	14.25	1.01	0.40	26.37	14.11	3.16
4500	17.33	19.63	26.04	13.73	1.00	0.38	25.91	13.85	3.13
5000	17.30	19.46	28.88	13.05	0.99	0.35	24.89	13.20	3.16
5500	17.24	19.28	27.41	12.28	0.98	0.33	25.11	13.45	3.22
6000	17.08	19.15	22.38	10.89	0.97	0.31	24.36	13.34	3.22
6500	16.87	19.09	18.12	9.58	0.96	0.30	24.19	13.00	3.32
7000	16.57	19.08	14.78	8.47	0.95	0.30	24.13	12.65	3.32
7500	16.17	19.14	12.45	7.52	0.94	0.32	23.58	11.97	3.37
8000	15.73	19.22	11.13	6.90	0.92	0.36	23.38	11.20	3.41
8500	15.25	19.31	10.03	6.47	0.91	0.40	22.31	10.54	3.50
9000	14.73	19.46	9.08	6.28	0.90	0.48	21.59	9.61	3.66
9500	14.22	19.57	8.87	6.43	0.91	0.57	21.13	9.07	3.82
10000	13.74	19.71	8.52	6.54	0.91	0.64	19.79	8.56	3.98
10500	13.24	19.83	8.16	6.72	0.89	0.74	19.47	7.97	4.05
11000	12.69	19.97	7.79	6.86	0.89	0.82	19.06	7.49	4.18
11500	12.02	20.19	7.42	6.70	0.88	0.88	18.57	7.08	4.27
12000	11.33	20.44	6.84	6.63	0.88	0.95	17.03	6.51	4.43
12500	10.57	20.69	6.53	6.02	0.87	0.96	17.27	6.05	4.44
13000	9.57	21.10	5.80	5.64	0.88	0.99	15.61	5.74	4.60

Typical Performance Data

Definitions:

Input Return Loss = -S11 (dB)

Gain(Power Gain) = S21 (dB)

Reverse Isolation = -S12 (dB)

Output Return Loss = -S22 (dB)

TEST CONDITIONS: Vd = 5.25V, Id = 47.64mA @ Temperature = -45°C

FREQ	Gain	Isolation	Input Return Loss	Output Return Loss	Stability		IP-3 Output	1dB Comp. Output	Noise Figure
					K	Measure			
(MHz)	(dB)	(dB)	(dB)	(dB)	K	Measure	(dBm)	(dBm)	(dB)
50	16.68	21.23	13.40	13.59	1.09	0.62	19.42	17.53	4.52
100	17.73	20.11	18.42	18.23	1.03	0.40	29.16	15.74	3.44
200	17.91	19.97	28.47	24.58	1.03	0.37	30.81	16.09	2.98
400	17.76	20.19	52.03	25.97	1.04	0.43	31.58	16.66	2.94
600	17.70	20.27	40.25	24.78	1.04	0.44	31.43	16.78	2.96
800	17.67	20.30	40.01	23.70	1.04	0.45	31.59	16.81	3.02
1000	17.65	20.31	40.33	22.80	1.04	0.45	30.57	16.59	3.00
1200	17.63	20.32	44.79	21.80	1.04	0.45	31.29	16.61	3.05
1400	17.62	20.32	48.94	20.93	1.04	0.45	31.12	16.55	3.08
1600	17.61	20.32	46.26	20.17	1.04	0.45	31.25	16.64	3.06
1800	17.60	20.31	38.46	19.35	1.04	0.45	31.67	16.72	3.13
2000	17.59	20.30	35.60	18.73	1.04	0.45	31.16	16.61	3.13
2200	17.59	20.28	33.86	18.31	1.04	0.44	30.27	16.05	3.10
2400	17.58	20.26	31.86	17.65	1.04	0.44	30.61	16.21	3.10
2600	17.58	20.23	30.87	17.30	1.04	0.44	30.66	16.23	3.21
2800	17.58	20.21	28.77	16.84	1.03	0.43	30.14	16.23	3.21
3000	17.57	20.17	27.88	16.45	1.03	0.43	29.66	15.95	3.09
3200	17.57	20.14	27.22	16.23	1.03	0.42	29.30	16.10	3.15
3400	17.57	20.10	26.77	15.72	1.03	0.41	29.17	15.97	3.16
3600	17.57	20.06	27.14	15.59	1.02	0.41	28.76	15.77	3.14
3800	17.57	20.01	26.25	15.33	1.02	0.40	28.58	15.86	3.16
4000	17.57	19.96	26.59	15.02	1.02	0.39	28.01	15.78	3.20
4500	17.56	19.81	27.89	14.47	1.01	0.37	27.32	15.27	3.20
5000	17.54	19.65	31.62	13.73	1.00	0.35	26.12	14.61	3.28
5500	17.49	19.49	28.60	12.90	0.99	0.33	26.07	14.65	3.27
6000	17.35	19.37	22.47	11.40	0.98	0.31	25.23	14.43	3.31
6500	17.15	19.32	18.10	9.98	0.97	0.29	24.96	13.95	3.44
7000	16.88	19.31	14.77	8.82	0.96	0.29	24.91	13.48	3.44
7500	16.50	19.37	12.45	7.81	0.94	0.31	24.47	12.69	3.48
8000	16.08	19.44	11.13	7.17	0.93	0.35	24.37	11.89	3.51
8500	15.62	19.54	10.04	6.73	0.92	0.40	23.29	11.20	3.60
9000	15.11	19.68	9.09	6.53	0.91	0.48	22.61	10.23	3.79
9500	14.62	19.79	8.89	6.70	0.91	0.57	22.12	9.72	3.94
10000	14.14	19.93	8.54	6.84	0.91	0.65	20.81	9.18	4.13
10500	13.64	20.05	8.18	7.03	0.90	0.75	20.57	8.61	4.19
11000	13.08	20.20	7.80	7.17	0.89	0.83	20.16	8.15	4.33
11500	12.39	20.42	7.42	6.97	0.89	0.89	19.75	7.75	4.44
12000	11.68	20.68	6.81	6.84	0.88	0.96	18.27	7.22	4.60
12500	10.89	20.94	6.49	6.16	0.87	0.97	18.65	6.80	4.59
13000	9.85	21.35	5.75	5.72	0.88	1.00	16.79	6.44	4.77

Typical Performance Data

Definitions:

Input Return Loss = -S11 (dB)

Gain(Power Gain) = S21 (dB)

Reverse Isolation = -S12 (dB)

Output Return Loss = -S22 (dB)

TEST CONDITIONS: Vd = 5.00V, Id = 50.52mA @ Temperature = +85°C

FREQ	Gain	Isolation	Input Return Loss	Output Return Loss	Stability		IP-3 Output	1dB Comp. Output	Noise Figure
					K	Measure			
(MHz)	(dB)	(dB)	(dB)	(dB)	K	Measure	(dBm)	(dBm)	(dB)
50	16.39	20.84	16.42	15.45	1.10	0.63	23.95	17.44	5.49
100	17.23	20.07	19.91	18.88	1.05	0.46	26.06	16.99	4.71
200	17.48	19.84	28.17	24.10	1.04	0.41	29.42	16.86	4.22
400	17.35	20.02	40.82	23.96	1.05	0.45	31.74	16.90	4.25
600	17.28	20.10	46.46	22.97	1.05	0.47	31.26	16.93	4.29
800	17.24	20.14	45.27	22.23	1.05	0.48	31.32	16.90	4.32
1000	17.20	20.16	38.52	21.26	1.05	0.49	29.78	16.78	4.35
1200	17.18	20.18	34.66	20.42	1.06	0.49	30.67	16.78	4.41
1400	17.16	20.19	31.23	19.51	1.06	0.49	30.37	16.70	4.44
1600	17.13	20.20	28.82	18.86	1.06	0.49	30.46	16.69	4.42
1800	17.11	20.20	26.45	18.22	1.06	0.49	30.61	16.67	4.51
2000	17.09	20.20	24.68	17.57	1.06	0.49	29.81	16.53	4.52
2200	17.07	20.19	23.31	17.10	1.06	0.49	29.06	16.23	4.51
2400	17.05	20.18	21.92	16.55	1.06	0.48	29.26	16.20	4.50
2600	17.03	20.17	21.42	16.36	1.05	0.48	28.79	16.10	4.60
2800	17.01	20.15	20.56	16.02	1.05	0.48	28.32	16.00	4.64
3000	16.99	20.12	19.97	15.83	1.05	0.48	27.82	15.69	4.54
3200	16.97	20.08	19.72	15.99	1.05	0.48	27.51	15.70	4.60
3400	16.95	20.05	19.03	15.83	1.05	0.48	27.23	15.45	4.60
3600	16.93	20.00	19.14	15.80	1.05	0.48	26.85	15.17	4.60
3800	16.91	19.95	19.16	16.05	1.04	0.48	26.59	15.08	4.60
4000	16.87	19.90	19.10	15.86	1.04	0.48	26.14	14.82	4.68
4500	16.79	19.74	20.39	16.45	1.04	0.48	25.47	14.17	4.66
5000	16.67	19.57	23.08	16.64	1.03	0.48	24.62	13.50	4.74
5500	16.46	19.43	25.51	15.90	1.03	0.48	24.58	13.07	4.79
6000	16.15	19.32	22.93	14.48	1.03	0.50	23.78	12.44	4.81
6500	15.75	19.27	18.49	13.16	1.03	0.53	23.29	11.83	4.92
7000	15.23	19.30	14.80	11.50	1.04	0.56	22.63	11.07	4.97
7500	14.69	19.33	13.02	10.65	1.04	0.61	21.67	10.34	5.01
8000	14.05	19.41	11.07	10.01	1.05	0.67	21.47	9.73	5.09
8500	13.31	19.58	9.92	9.32	1.06	0.74	20.42	9.11	5.19
9000	12.61	19.72	9.16	9.12	1.08	0.80	19.42	8.26	5.39
9500	11.83	19.93	8.40	8.92	1.10	0.88	19.11	7.81	5.61
10000	11.08	20.13	8.09	8.80	1.14	0.93	17.96	7.32	5.81
10500	10.29	20.37	7.57	8.43	1.17	0.98	17.54	6.77	5.97
11000	9.40	20.68	7.15	7.89	1.22	1.01	17.07	6.29	6.14
11500	8.44	21.02	6.63	7.49	1.30	1.03	16.64	5.90	6.33
12000	7.50	21.36	6.30	6.74	1.37	1.02	15.29	5.38	6.46
12500	6.55	21.72	6.02	6.20	1.48	1.01	14.89	4.98	6.54
13000	5.54	22.08	5.67	5.69	1.60	0.99	14.62	4.81	6.82

Typical Performance Data

Definitions:

Input Return Loss = -S11 (dB)

Gain(Power Gain) = S21 (dB)

Reverse Isolation = -S12 (dB)

Output Return Loss = -S22 (dB)

TEST CONDITIONS: Vd = 4.75V, Id = 45.40mA @ Temperature = +85°C

FREQ	Gain	Isolation	Input Return Loss	Output Return Loss	Stability		IP-3 Output	1dB Comp. Output	Noise Figure
					K	Measure			
(MHz)	(dB)	(dB)	(dB)	(dB)	K	Measure	(dBm)	(dBm)	(dB)
50	16.32	20.88	14.26	13.69	1.10	0.62	19.66	16.54	5.84
100	17.28	19.86	18.58	18.31	1.04	0.43	25.29	15.31	4.69
200	17.42	19.73	26.51	23.48	1.03	0.41	28.97	15.62	4.24
400	17.26	19.94	35.34	22.99	1.05	0.45	29.84	15.98	4.23
600	17.19	20.03	38.20	22.07	1.05	0.47	29.56	16.06	4.23
800	17.14	20.07	38.32	21.39	1.05	0.48	29.75	16.04	4.30
1000	17.11	20.10	34.72	20.49	1.05	0.49	28.45	15.90	4.28
1200	17.08	20.11	32.08	19.71	1.06	0.49	29.31	15.89	4.38
1400	17.06	20.13	29.45	18.86	1.06	0.49	29.02	15.83	4.39
1600	17.03	20.13	27.42	18.24	1.06	0.49	29.14	15.82	4.39
1800	17.01	20.13	25.37	17.63	1.06	0.49	29.37	15.82	4.44
2000	16.99	20.13	23.81	17.02	1.06	0.49	28.87	15.66	4.44
2200	16.96	20.13	22.54	16.57	1.06	0.49	27.92	15.34	4.47
2400	16.94	20.12	21.32	16.05	1.06	0.49	28.28	15.33	4.46
2600	16.92	20.10	20.84	15.86	1.05	0.49	28.05	15.26	4.57
2800	16.90	20.08	20.05	15.54	1.05	0.48	27.62	15.19	4.60
3000	16.87	20.05	19.50	15.35	1.05	0.48	27.08	14.90	4.47
3200	16.85	20.01	19.26	15.50	1.05	0.48	26.87	14.94	4.54
3400	16.83	19.97	18.61	15.34	1.05	0.48	26.65	14.74	4.55
3600	16.81	19.93	18.74	15.30	1.05	0.48	26.32	14.45	4.53
3800	16.79	19.87	18.77	15.52	1.04	0.48	26.14	14.46	4.56
4000	16.74	19.82	18.71	15.33	1.04	0.48	25.70	14.24	4.60
4500	16.66	19.65	19.96	15.86	1.04	0.48	25.14	13.67	4.61
5000	16.53	19.47	22.48	16.01	1.03	0.48	24.29	13.06	4.67
5500	16.31	19.32	24.74	15.34	1.03	0.49	24.35	12.67	4.71
6000	16.00	19.21	22.59	14.03	1.03	0.50	23.57	12.07	4.74
6500	15.59	19.15	18.39	12.80	1.03	0.53	23.08	11.49	4.87
7000	15.06	19.18	14.77	11.22	1.03	0.56	22.37	10.76	4.88
7500	14.51	19.21	13.00	10.39	1.04	0.61	21.38	10.04	4.95
8000	13.87	19.29	11.07	9.77	1.05	0.67	21.16	9.44	4.99
8500	13.12	19.47	9.91	9.09	1.06	0.73	20.08	8.79	5.09
9000	12.42	19.60	9.15	8.89	1.07	0.80	19.00	7.95	5.31
9500	11.64	19.81	8.40	8.69	1.10	0.87	18.69	7.47	5.50
10000	10.89	20.02	8.08	8.58	1.14	0.93	17.50	7.02	5.70
10500	10.10	20.26	7.56	8.24	1.17	0.97	17.05	6.45	5.83
11000	9.22	20.56	7.15	7.73	1.22	1.00	16.59	5.99	6.00
11500	8.27	20.90	6.62	7.37	1.29	1.03	16.18	5.56	6.18
12000	7.34	21.24	6.30	6.65	1.36	1.02	14.82	5.08	6.30
12500	6.40	21.59	6.02	6.14	1.47	1.00	14.43	4.67	6.45
13000	5.40	21.95	5.67	5.64	1.59	0.98	14.16	4.45	6.63

Typical Performance Data

Definitions:

Input Return Loss = -S11 (dB)

Gain(Power Gain) = S21 (dB)

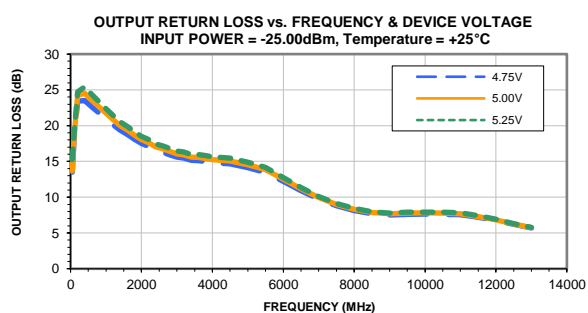
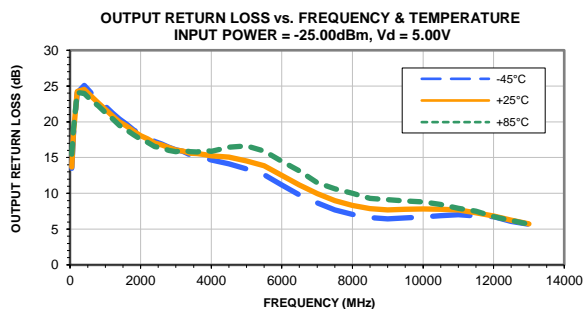
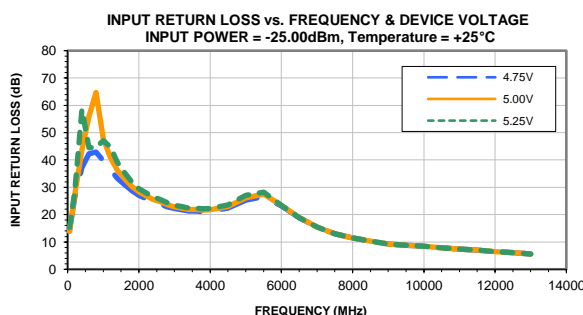
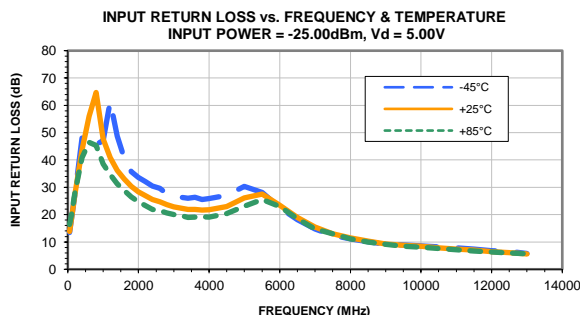
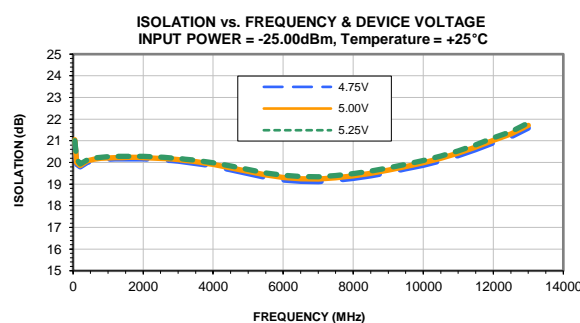
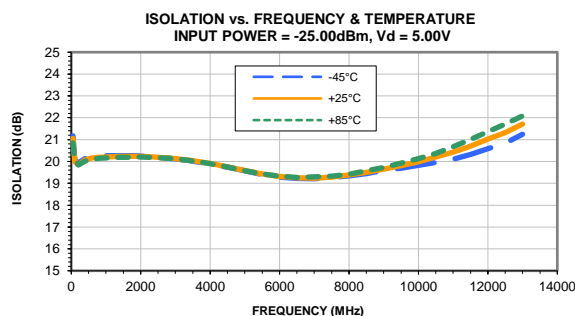
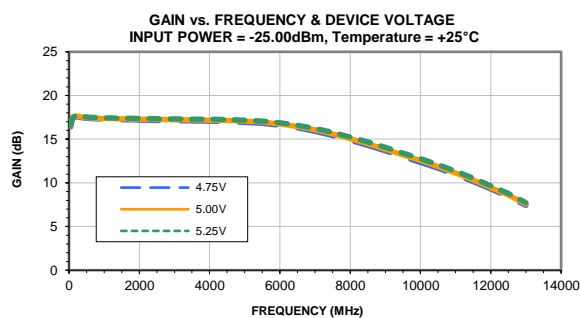
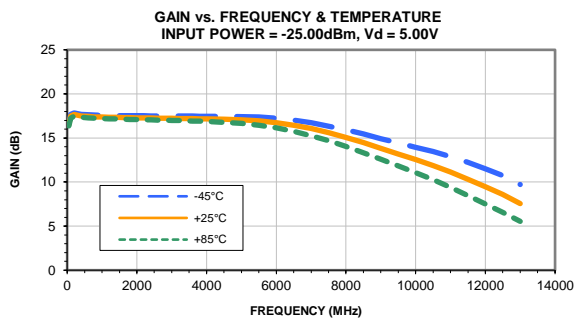
Reverse Isolation = -S12 (dB)

Output Return Loss = -S22 (dB)

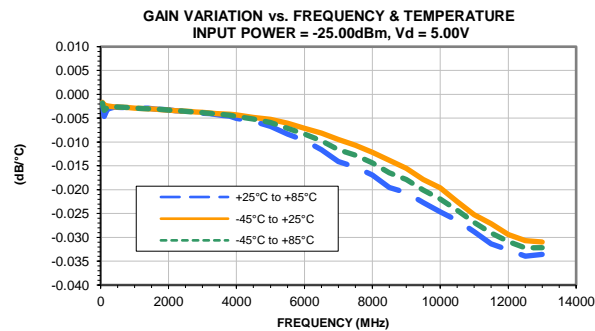
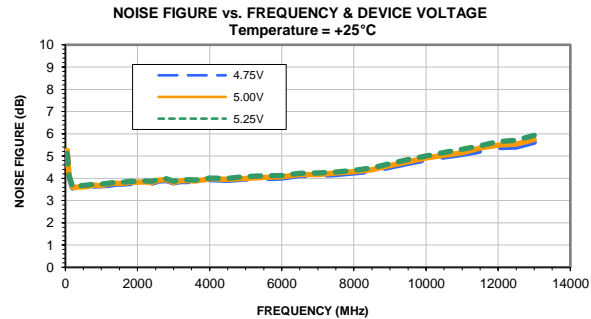
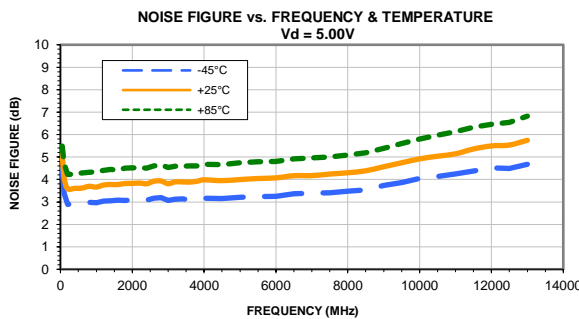
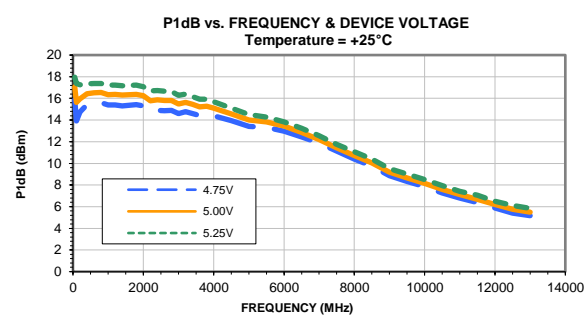
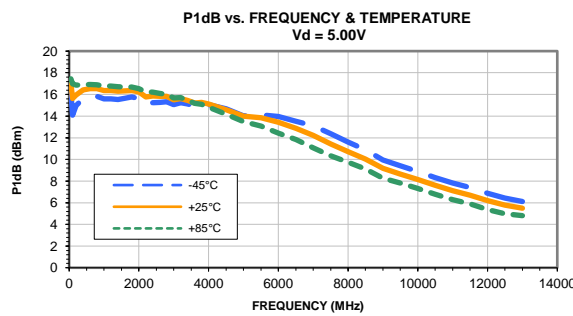
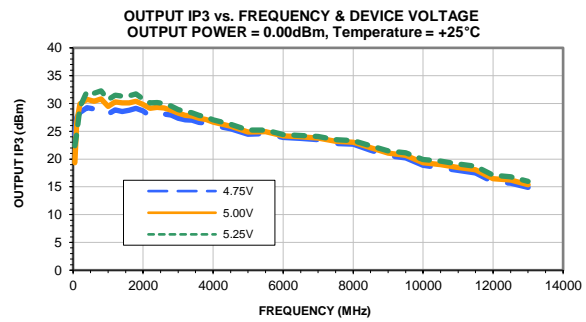
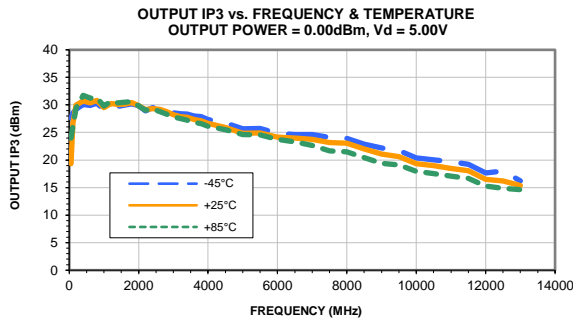
TEST CONDITIONS: Vd = 5.25V, Id = 58.21mA @ Temperature = +85°C

FREQ	Gain	Isolation	Input Return Loss	Output Return Loss	Stability		IP-3 Output	1dB Comp. Output	Noise Figure
					K	Measure			
(MHz)	(dB)	(dB)	(dB)	(dB)	K	Measure	(dBm)	(dBm)	(dB)
50	17.02	20.47	25.83	20.39	1.07	0.55	21.42	17.89	4.59
100	17.22	20.25	27.99	22.08	1.06	0.50	24.05	18.09	4.47
200	17.42	20.08	35.59	24.79	1.05	0.46	32.87	17.97	4.29
400	17.40	20.14	46.17	24.78	1.05	0.46	34.06	17.90	4.31
600	17.36	20.20	44.27	23.95	1.05	0.48	33.35	17.84	4.34
800	17.33	20.23	44.05	23.19	1.05	0.48	32.74	17.81	4.41
1000	17.30	20.24	43.82	22.15	1.05	0.49	31.28	17.71	4.38
1200	17.28	20.26	38.72	21.25	1.05	0.49	31.94	17.73	4.45
1400	17.26	20.26	33.90	20.27	1.06	0.49	31.34	17.66	4.51
1600	17.24	20.27	30.90	19.57	1.06	0.49	31.11	17.62	4.51
1800	17.22	20.27	28.04	18.89	1.06	0.49	30.93	17.59	4.55
2000	17.20	20.27	25.95	18.20	1.06	0.49	30.10	17.46	4.56
2200	17.18	20.26	24.35	17.71	1.06	0.49	29.52	17.30	4.60
2400	17.16	20.25	22.81	17.14	1.06	0.48	29.18	17.21	4.60
2600	17.14	20.23	22.24	16.94	1.05	0.48	28.86	17.08	4.70
2800	17.12	20.22	21.32	16.59	1.05	0.48	28.24	16.90	4.71
3000	17.10	20.19	20.67	16.39	1.05	0.48	27.76	16.63	4.59
3200	17.08	20.15	20.42	16.56	1.05	0.48	27.38	16.55	4.66
3400	17.06	20.12	19.67	16.40	1.05	0.48	27.14	16.25	4.66
3600	17.04	20.07	19.78	16.37	1.05	0.48	26.78	15.93	4.67
3800	17.02	20.02	19.81	16.63	1.05	0.48	26.43	15.79	4.70
4000	16.98	19.98	19.71	16.44	1.04	0.47	26.03	15.45	4.74
4500	16.90	19.83	21.15	17.08	1.04	0.47	25.34	14.73	4.74
5000	16.78	19.66	24.19	17.27	1.04	0.47	24.55	13.97	4.83
5500	16.58	19.53	26.80	16.43	1.03	0.48	24.32	13.47	4.88
6000	16.29	19.43	23.29	14.87	1.03	0.50	23.60	12.78	4.90
6500	15.90	19.38	18.56	13.45	1.04	0.52	23.06	12.15	5.04
7000	15.40	19.41	14.81	11.70	1.04	0.56	22.39	11.37	5.08
7500	14.87	19.44	13.04	10.83	1.04	0.60	21.50	10.65	5.12
8000	14.25	19.52	11.09	10.17	1.05	0.66	21.24	10.03	5.24
8500	13.53	19.69	9.95	9.47	1.06	0.73	20.34	9.39	5.34
9000	12.84	19.82	9.19	9.29	1.08	0.80	19.38	8.52	5.59
9500	12.07	20.03	8.45	9.11	1.10	0.87	19.10	8.07	5.79
10000	11.34	20.23	8.15	9.01	1.14	0.93	18.08	7.58	6.00
10500	10.55	20.47	7.64	8.65	1.17	0.98	17.64	7.01	6.19
11000	9.67	20.78	7.23	8.11	1.22	1.01	17.23	6.55	6.35
11500	8.70	21.12	6.69	7.69	1.30	1.04	16.83	6.17	6.59
12000	7.76	21.48	6.37	6.90	1.37	1.03	15.55	5.65	6.72
12500	6.80	21.84	6.08	6.33	1.48	1.01	15.16	5.27	6.85
13000	5.78	22.23	5.72	5.78	1.60	0.99	14.94	5.07	7.13

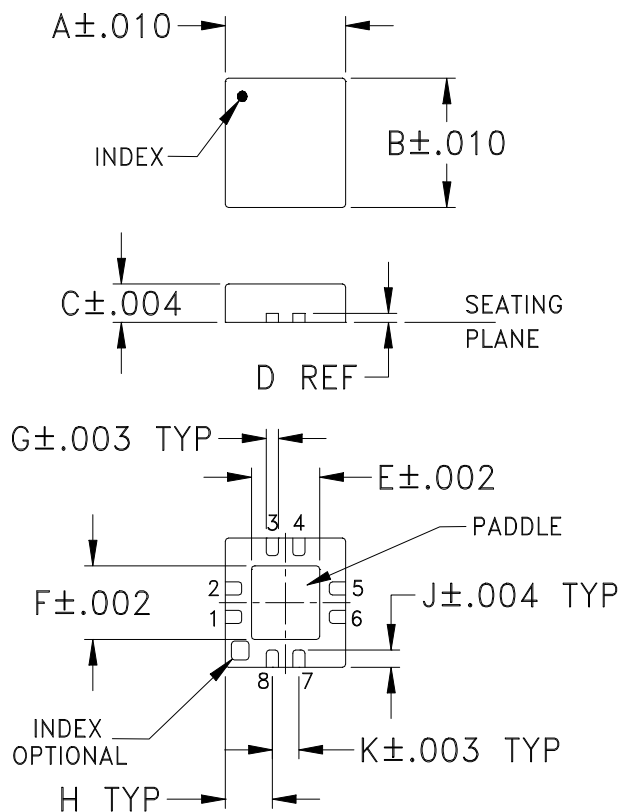
Typical Performance Curves



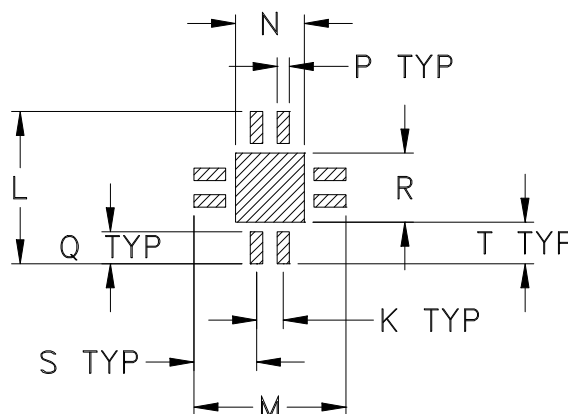
Typical Performance Curves



Outline Dimensions



PCB Land Pattern



Suggested Layout,
Tolerance to be within $\pm.002$

CASE #	A	B	C	D	E	F	G	H	J	K	L	M	N
DQ849	.118 (3.00)	.118 (3.00)	.035 (0.89)	.008 (0.20)	.067 (1.70)	.067 (1.70)	.012 (0.30)	.046 (1.17)	.016 (0.41)	.026 (0.66)	.148 (3.76)	.148 (3.76)	.067 (1.70)

CASE #	P	Q	R	S	T	WT. GRAM
DQ849	.012 (0.30)	.031 (0.79)	.067 (1.70)	.061 (1.55)	.041 (1.04)	.02

Dimensions are in inches (mm). Tolerances: 2Pl. $\pm.01$; 3 Pl. $\pm.004$

Notes:

- Case material: Plastic.
- Termination finish:
 For RoHS Case Styles: Tin-Silver alloy plate over Nickel barrier or Matte-Tin plated. All models, (+) suffix. See Data sheet.
 For RoHS-5 Case Styles: Tin-Lead plate. All models. no (+) suffix.



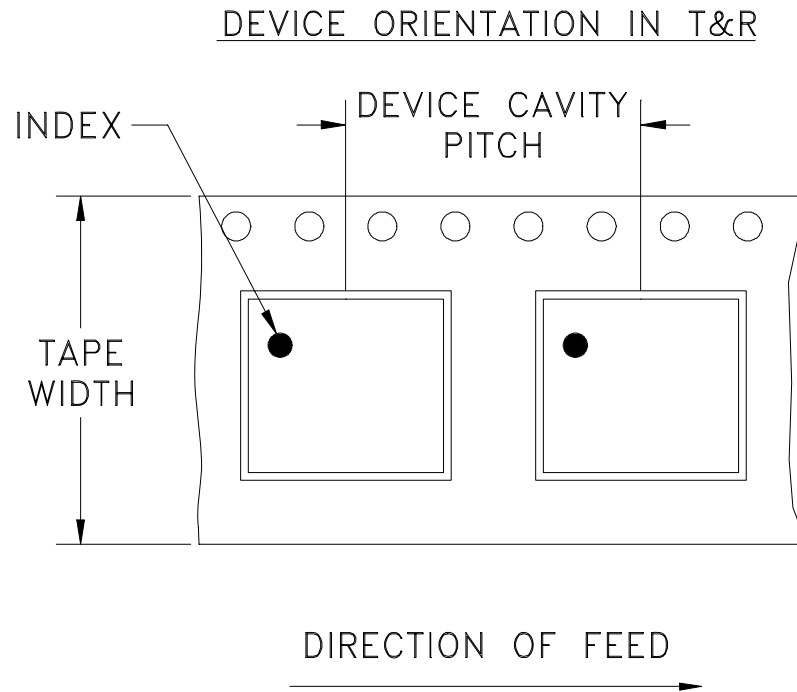
INTERNET <http://www.minicircuits.com>

P.O. Box 350166, Brooklyn, New York 11235-0003 (718) 934-4500 Fax (718) 332-4661

Distribution Centers NORTH AMERICA 800-654-7949 • 417-335-5935 • Fax 417-335-5945 • EUROPE 44-1252-832600 • Fax 44-1252-837010

Mini-Circuits ISO 9001 & ISO 14001 Certified

Tape & Reel Packaging TR-F104



Tape Width, mm	Device Cavity Pitch, mm	Reel Size, inches	Devices per Reel	
8	4	7	Small quantity standards (see note)	20
				50
				100
				200
				500
				1000
		7	Standard	2000

Note: Please Consult individual model data sheet to determine device per reel availability.

Mini-Circuits carrier tape materials provide protection from ESD (Electro-Static Discharge) during handling and transportation. Tapes are static dissipative and comply with industry standards EIA-481/EIA-541.

Go to: www.minicircuits.com/pages/pdfs/tape.pdf



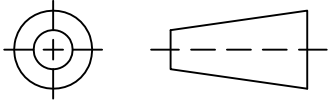
INTERNET <http://www.minicircuits.com>

P.O. Box 350166, Brooklyn, New York 11235-0003 (718) 934-4500 Fax (718) 332-4661

Distribution Centers NORTH AMERICA 800-654-7949 • 417-335-5935 • Fax 417-335-5945 • EUROPE 44-1252-832600 • Fax 44-1252-837010

Mini-Circuits ISO 9001 & ISO 14001 Certified

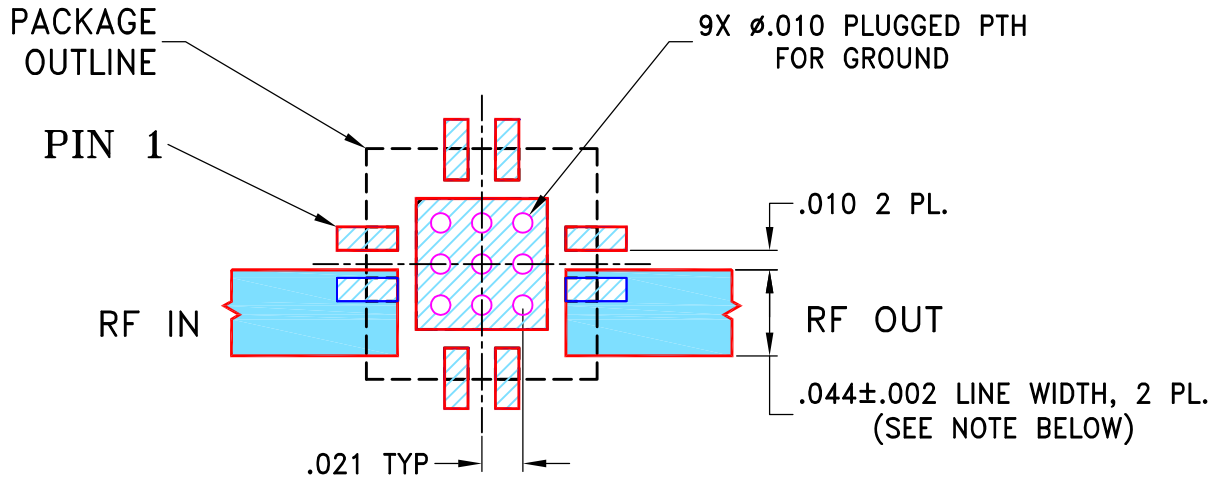
THIRD ANGLE PROJECTION



REVISIONS

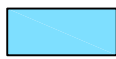
REV	ECN No.	DESCRIPTION	DATE	DR	AUTH
OR	M154458	NEW RELEASE	01/04/16	ITG	MM

SUGGESTED MOUNTING CONFIGURATION FOR
DQ849 CASE STYLE, "08AM15" PIN CODE



NOTES:

1. COPLANAR WAVEGUIDE PARAMETERS ARE SHOWN FOR ROGERS R04350B WITH DIELECTRIC THICKNESS $.020" \pm .0015"$; COPPER: 1/2 OZ. EACH SIDE. FOR OTHER MATERIALS TRACE WIDTH MAY NEED TO BE MODIFIED.
2. BOTTOM SIDE OF THE PCB IS CONTINUOUS GROUND PLANE.



DENOTES PCB COPPER LAYOUT WITH SMOBC (SOLDER MASK OVER BARE COPPER)



DENOTES COPPER LAND PATTERN FREE OF SOLDER MASK

UNLESS OTHERWISE SPECIFIED	INITIALS		DATE
DIMENSIONS ARE IN INCHES TOLERANCES ON: 2 PL DECIMALS ± 3 PL DECIMALS ± .005 ANGLES ± FRACTIONS ±	DRAWN	ITG	12/31/15
	CHECKED	GF	12/31/15
	APPROVED	MM	01/04/16



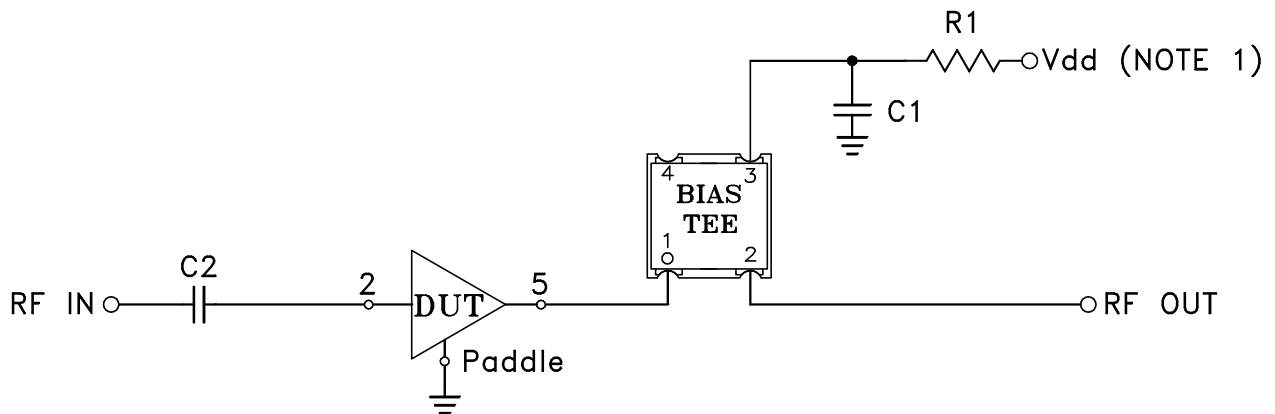
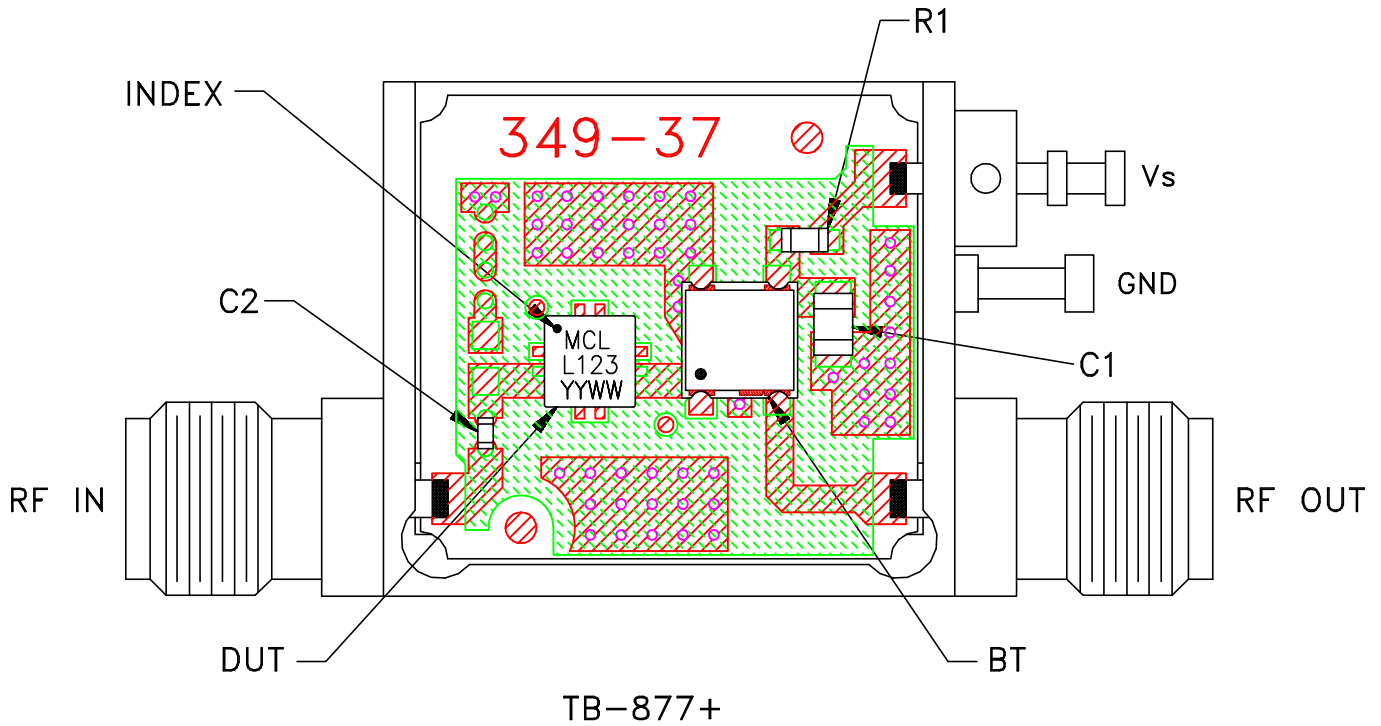
Mini-Circuits® 13 Neptune Avenue
Brooklyn NY 11235

PL, 08AM15, DQ849, TB-877+

Mini-Circuits®
THIS DOCUMENT AND ITS CONTENTS ARE THE PROPERTY OF MINI-CIRCUITS. EXCEPT FOR USE EXPRESSLY GRANTED, IN WRITING, TO ITS VENDORS, VENDEE AND THE UNITED STATES GOVERNMENT, MINI-CIRCUITS RESERVES ALL PROPRIETARY DESIGN, USE, MANUFACTURING AND REPRODUCTION RIGHTS THERETO. THESE CONTENTS SHALL NOT BE USED, DUPLICATED OR DISCLOSED TO ANY OUTSIDE PARTY, IN WHOLE OR IN PART, WITHOUT WRITTEN PERMISSION OF MINI-CIRCUITS.

SIZE A	CODE IDENT 15542	DRAWING NO: 98-PL-473	REV: OR
FILE: 98PL473	SCALE: 10:1	SHEET: 1 OF 1	

Evaluation Board and Circuit



COMPONENT	VALUE	SIZE
DUT	LVA-123+	SOT-89
C1	.1 uF	0805
C2	0.001 uF	0402
R1	16.5 Ohm	0603
BIAS TEE	Mini-Circuits TCBT-123+	

Schematic Diagram

NOTES:

1. Vdd voltage: $+5 \pm 0.2V$.
2. SMA Female connectors.
3. PCB material: Rogers R04350 or equivalent, dielectric constant=3.5, dielectric thickness=.020 inch.

Mini-Circuits®

All Mini-Circuits products are manufactured under exacting quality assurance and control standards, and are capable of meeting published specifications after being subjected to any or all of the following physical and environmental test.

Specification	Test/Inspection Condition	Reference/Spec
Operating Temperature	-40° to 85°C or -45° to 85°C Ambient Environment	Individual Model Data Sheet
Storage Temperature	-55° to 100° C or -65° to 150° Ambient Environment	Individual Model Data Sheet
Thermal Shock	-55° to 100°C, 100 cycles	MIL-STD-202, Method 107, Condition A-3, except +100°C
Mechanical Shock	1.5Kg, 0.5 ms, 5 shock pulses, Y1 direction only	MIL-STD-883, Method 2002, Condition B, except Y1 direction only
Vibration (Variable Frequency)	50g peak	MIL-STD-883, Method 2007, Condition B
Autoclave	15 psig, 100% RH, 121°C, 96 hours	JESD22-A102, Condition C
HAST	130°C, 85% RH, 96 hours	JESD22-A110
Solderability	10X Magnification	J-STD-002, Para 4.2.5, Test S, 95% Coverage
Solder Reflow Heat	Sn-Pb Eutetic Process: 240°C peak Pb-Free Process: 260°C peak	J-STD-020, Table 4-1, 4-2 and 5-2; Figure 5-1
Moisture Sensitivity: Level 1	Bake at 125°C for 24 hours Soak at 85°C/85% RH for 168 hours, Reflow 3 cycles at 260°C peak	J-STD-020
Marking Resistance to Solvents	Isopropyl alcohol + mineral spirits at 25°C; terpene defluxer at 25°C; distilled water + proylene glycol monomethyl ether +	MIL-STD-202, Method 215



All Mini-Circuits products are manufactured under exacting quality assurance and control standards, and are capable of meeting published specifications after being subjected to any or all of the following physical and environmental test.

Specification	Test/Inspection Condition	Reference/Spec
	monoethanolamine at 63°C to 70°C	