

© - TE Connectivity. All Rights Reserved.

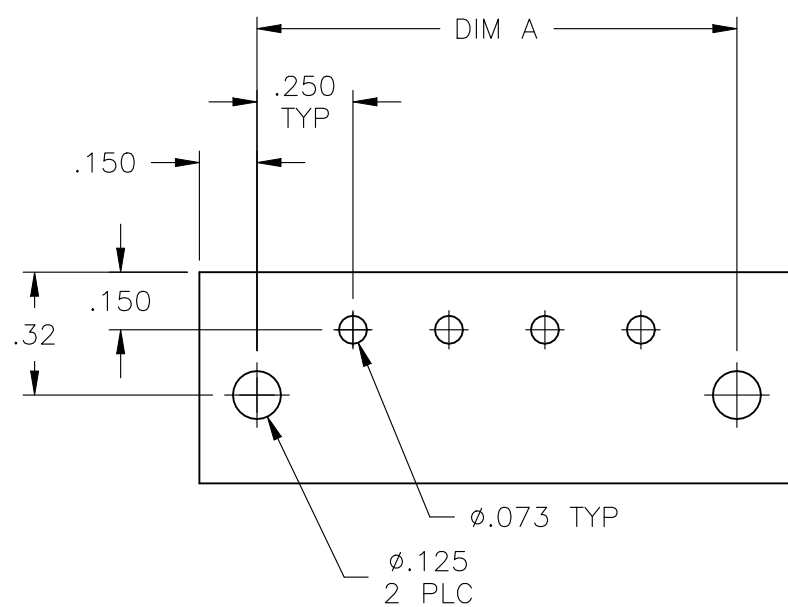
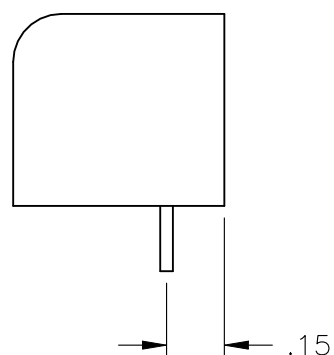
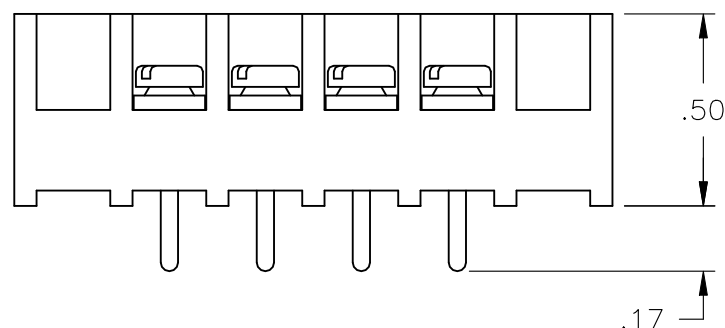
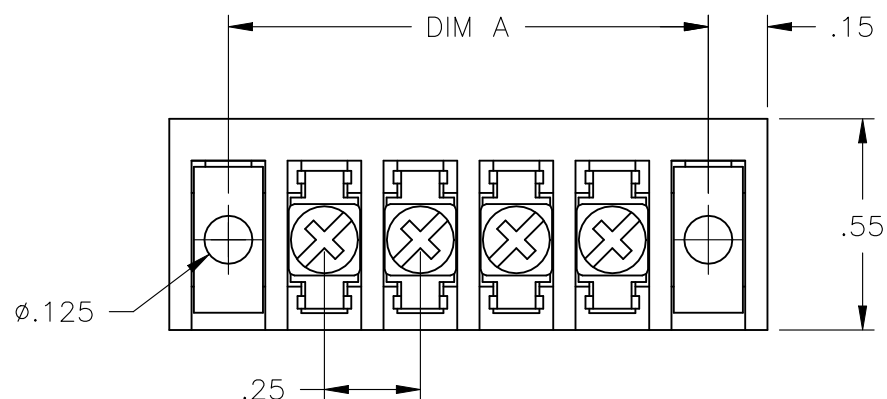
MATERIAL:
HOUSING: THERMOPLASTIC, UL94V-0, BLACK.
TERMINAL: BRIGHT TIN PLATED, COPPER ALLOY.
SCREWS: SEE TABLE.

ELECTRICAL:
RATED CURRENT: 10A.
OPERATING VOLTAGE: 300V.
WIRE RANGE: 16-30 AWG.

MECHANICAL:
PITCH (TERMINAL SPACING): .250"
OPERATING TEMP.: 120°C MAX.

1 M3 THREAD STAINLESS STEEL SCREWS/
WASHERS.

2 OBSOLETE



RECOMMENDED PCB LAYOUT

REVISIONS					
P	LTR	DESCRIPTION	DATE	DWN	APVD
	G1	PART OBSOLESCENCE	25MAR2024	KA	SS

SCREWS	DIM "A"	NO OF POS	CATALOG NUMBER	PART NUMBER
1	7.25	28	3PCV-28-008	2-1546011-8
	7.00	27	3PCV-27-008	2-1546011-7
	6.75	26	3PCV-26-008	2-1546011-6
	6.50	25	3PCV-25-008	2-1546011-5
	6.25	24	3PCV-24-008	2-1546011-4
	6.00	23	3PCV-23-008	2-1546011-3
	5.75	22	3PCV-22-008	4-1546119-0
	5.50	21	3PCV-21-008	2-1546011-1
	5.25	20	3PCV-20-008	2-1546011-0
	5.00	19	3PCV-19-008	1-1546011-9
	4.75	18	3PCV-18-008	1-1546011-8
	4.50	17	3PCV-17-008	1-1546011-7
	4.25	16	3PCV-16-008	3-1546119-5
	4.00	15	3PCV-15-008	1-1546011-5
2	3.75	14	3PCV-14-008	1-1546011-4
	3.50	13	3PCV-13-008	3-1546119-3
2	3.25	12	3PCV-12-008	3-1546119-1
	3.00	11	3PCV-11-008	3-1546119-0
2	2.75	10	3PCV-10-008	1546011-4
	2.50	9	3PCV-09-008	1546011-9
	2.25	8	3PCV-08-008	1546011-3
	2.00	7	3PCV-07-008	1546011-7
	1.75	6	3PCV-06-008	7-1437647-7
1	1.50	5	3PCV-05-008	2-1546011-9
	1.50	5	3PCV-05-008	1546011-5
	1.25	4	3PCV-04-008	1546011-2
	1.00	3	3PCV-03-008	1546011-1
1	.75	2	3PCV-02-008	3-1437646-4

THIS DRAWING IS A CONTROLLED DOCUMENT.		DWN S SCHLEGEL 4/10/03	STE TE Connectivity		
DIMENSIONS: INCHES		CHK S YODER 4/10/03			
TOLERANCES UNLESS OTHERWISE SPECIFIED:		APVD S YODER 4/10/03	NAME		
0 PLC ± -		PRODUCT SPEC	3PCV-XX-008 ASSEMBLY		
1 PLC ± -		APPLICATION SPEC	SIZE	CAGE CODE	DRAWING NO
2 PLC ± .02		WEIGHT	A3	00779	C-3-1437646-4
3 PLC ± .010		CUSTOMER DRAWING	SCALE	SHEET	REV
4 PLC ± -			NTS	1 OF 1	G1
ANGLES ± ± -					
FINISH					
MATERIAL					