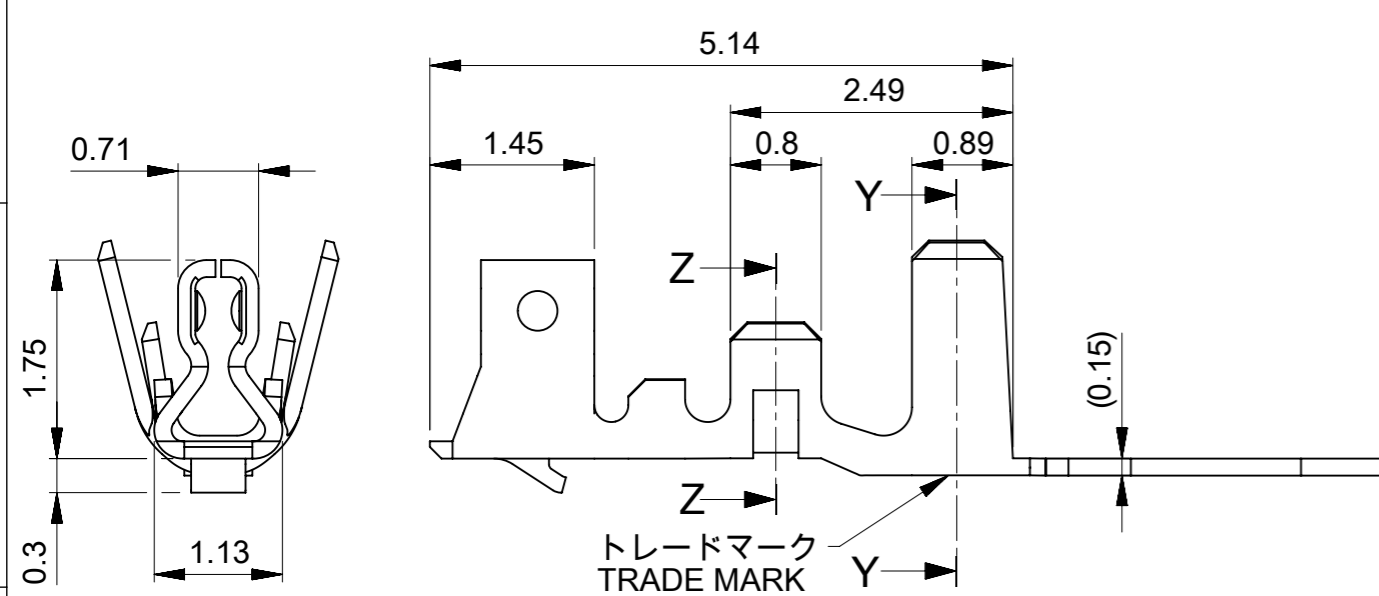
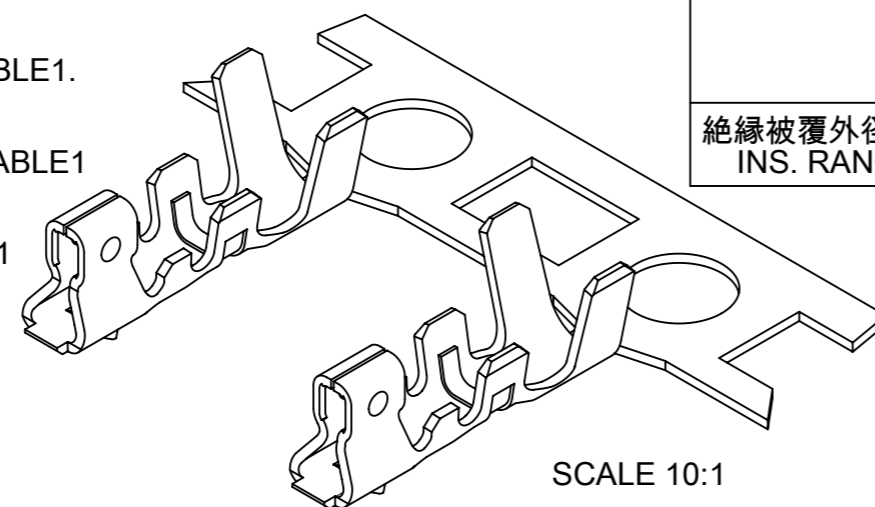


△ TABLE 1

部品 PART	材質、仕上げ MATERIAL AND FINISHES			
	オーダー番号 ORDER NO.	87421-0000	87421-0100	87421-0002
材料 MATERIAL	リン青銅 PHOSPHOR BRONZE			
ターミナル TERMINAL	下地めっき UNDER PLATING	---		ニッケルめっき 1.27マイクロメートル以上 NICKEL-PLATING 1.27micro-meter MIN
接点部 CONTACT	錫めっき： 前めっき(リフロー処理、無光沢錫) 2.5マイクロメートル以上 PRE TIN-PLATING： (HEAT TREATED MATTE TIN) 2.5 micro-meter MIN		金めっき：0.1マイクロメートル以上 GOLD-PLATING：0.1 micro-meter MIN	
製品仕様書 PRODUCT SPECIFICATION		PS-87437-001		207050000 PS 000



- 注記
NOTES
- △ 1. 材質及び仕上げ：TABLE 1 参照
MATERIAL AND FINISHES：REFER TO TABLE 1.
 - △ 2. 製品仕様書：TABLE 1 参照
PRODUCT SPECIFICATION：REFER TO TABLE 1
 3. 梱包仕様書：SPK-87421-001
PACKING INFORMATION：SPKE-87421-001
 4. 適用ハウジング：87439シリーズ
APPLICABLE HOUSING：87439 SERIES



絶縁被覆外径範囲 INS. RANGE	適用電線サイズ APPLICABLE WIRE SIZE	梱包形態 PACKAGING	端子形状 FORM	オーダー番号 ORDER NO.
∅0.70 - 1.00 mm	SECTION Z-Z SECTION Y-Y AWG #26-#30	リール REEL	連鎖状 CHAIN	87421-0102
∅0.95 - 1.20 mm	SECTION Z-Z SECTION Y-Y AWG #24-#26			87421-0100
				87421-0002
				87421-0000

THIS DRAWING CONTAINS INFORMATION THAT IS PROPRIETARY TO MOLEX ELECTRONIC TECHNOLOGIES, LLC AND SHOULD NOT BE USED WITHOUT WRITTEN PERMISSION

DIMENSION UNITS	SCALE	CURRENT REV DESC: REDRAWN AND REVISED	molex		
mm	15:1				
GENERAL TOLERANCES (UNLESS SPECIFIED)			PICO-SPOX 1.5MM PITCH RECEPTACLE CRIMP TERMINAL		
ANGULAR TOL	± 3.0°	EC NO: 605982	PRODUCT CUSTOMER DRAWING		
4 PLACES	± 0.2	DRWN: RTANAKA02 2018/12/12	DOCUMENT NUMBER		
3 PLACES	± 0.2	CHK'D: AIDA 2019/04/26	DOC TYPE		
2 PLACES	± 0.2	APPR: SAKIYAMA 2019/04/26	DOC PART		
1 PLACE	± 0.2	INITIAL REVISION:	REVISION		
0 PLACES	± 0.2	DRWN: RTANAKA02 2018/12/12	874210000-SD		
		APPR: SAKIYAMA 2019/04/26	PSD 000 A		
DRAFT WHERE APPLICABLE MUST REMAIN WITHIN DIMENSIONS		THIRD ANGLE PROJECTION	DRAWING	SERIES	MATERIAL NUMBER
		⊕ ⊖	A3-SIZE	87421	CUSTOMER
					SEE CHART
					GENERAL
					SHEET NUMBER
					1 OF 1