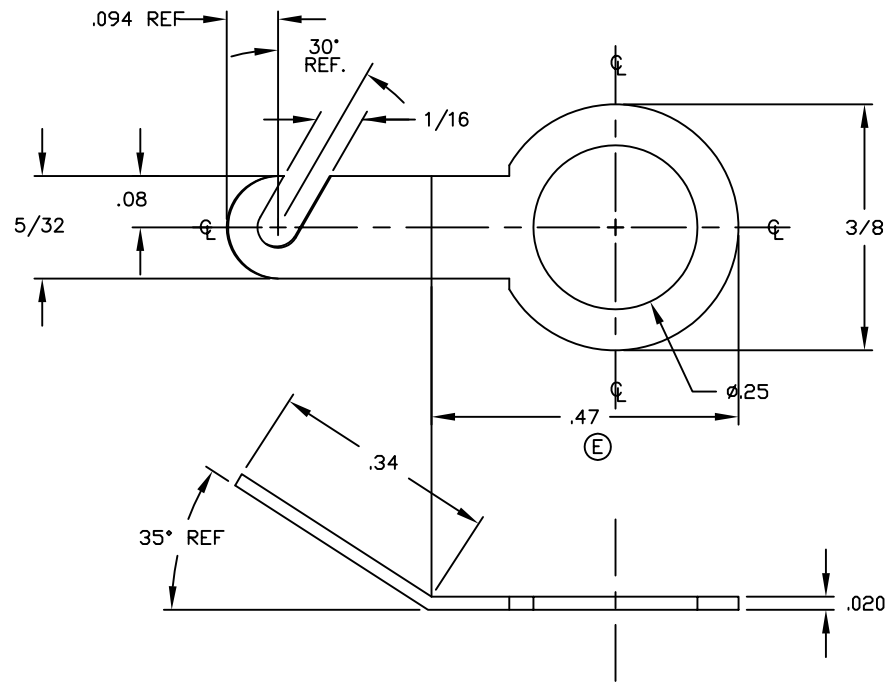


REVISIONS				
SYM	DESCRIPTION	REVISED BY	DATE	APPR



MATERIAL: BRASS			FINISH: ELECTRO-TIN			<b>ABBATRON</b> Electronic Connectors and Hardware 632 Arch Street, Meadville, Pa. 16335					
DIMENSIONAL TOLERANCES UNLESS OTHERWISE SPECIFIED									TITLE: 1496 SOLDER LUG (ANGLED)		
.XX	.XXX	.XXXX									
---	---	---									
FRACTIONS	ANGLES	SCALE									
---	---	5:1				DRAWN: BOB FRANKLIN DATE: 3-27-91		SIZE	DRAWING NUMBER	ISSUE	
HEAT TREAT:			CHECKED: ED MCKINNEY DATE: 3-28-91			APPROVED: D. MILLER DATE: 3-28-91		B	SD-1496	E	
PLOT SCALE: 1=1											