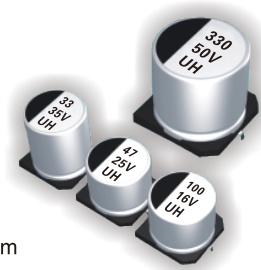


UH 高可靠品 片式铝电解电容
Chip Type Aluminum Electrolytic Capacitors



产品特点 Features

适用-55℃~+125℃温度范围；寿命2,000~5,000小时；性能稳定，可靠性高；产品直径：φ6mm~φ18mm
-55℃ ~+125℃ temperature range; life 2000~5000 hours; stable performance, high reliability
product diameter: φ6mm~ φ18mm

主要技术性能 Specifications

项目 Items	特性 Characteristics												
工作温度范围 Category Temperature Range	-40℃~+130℃												
额定电压范围 Rated Voltage Range	10~450V.DC												
标称电容量范围 Nominal Capacitance Range	1μF ~ 4700μF												
标称电容量允许偏差 Nominal Capacitance Tolerance	±20%(120Hz,+20℃)												
泄漏电流范围 Leakage Current(MAX)	10~100Vdc						160~450Vdc						(20℃)
	≤10×10.2						≥10×13.5						
	I≤0.01CV(μA) or 3(μA) 取较大者 whichever is greater(after 2 minutes)						I≤0.03CV(μA) or 4(μA) 取较大者 whichever is greater(after 2 minutes)						
损耗角正切值 Dissipation Factor(MAX) Tan δ (20℃,120Hz)	I=Leakage Current(μA) C=Nominal Capacitance(μF) V= Rated Voltage(V)												
	Roted Voltage (V)												
	Tan δ ≤												
耐久性 Load Life	在130℃环境中,连续施加额定直流电压规定时间,常温恢复16小时后进行测量时,电容器应满足以下要求。 In the environment of 130℃ degrees,the time of continuous application of the rated DC voltage, After 16 hours were measured at room temperature,the capacitor should meet the following requirements:												
	Capacitance Change	±30%初始值以内 Within ±30% of the initial value						寿命 life time					
	Dissipation Factor	≤300%初始值以内 Not more than 300% of the specified value						8×10.2~10×13.5 (10~100Vdc):2000hours					
高温贮存 Shelf Life	在130℃环境中,无负荷放置1000小时(400~450V:500小时),常温恢复16小时后进行测量时,电容器应满足以下要求。 The following specifications shall be satisfied,After 16hours were measured at room temperature,after exposing them for 1000hours(400~450V:500hours)at 130℃ without voltage application:												
	Capacitance Change	±30%初始值以内 Within ±30% of the initial value						≥12.5×13.5(10~100Vdc):5000hours (160~450Vdc):3000hours					
	Dissipation Factor	≤300%初始值以内 Not more than 300% of the specified value											
耐焊接热 Resistance to Soldering Heat	在250℃的条件下,电容器在热板上保持30秒,然后从热板上取出电容器,让其在室温下恢复,电容器应满足以下要求。 The capacitors shall be kept on the hot plate maintained at 250℃ for 30 seconds.After removing from the hot plate and restored at room temperature, they meet the following requirement:												
	Capacitance Change	±10%初始值以内 Within ±10% of the initial value											
	Dissipation Factor	≤初始规定值 Not more than the initial specified value											
低温特性及阻抗比 Low Temperature Stability Impedance Ratio (MAX) 120Hz	Roted Voltage (V)												
	≤10×10.2	Z-25℃/Z+20℃											
		Z-40℃/Z+20℃											
	≥10×13.5	Z-25℃/Z+20℃											
Z-40℃/Z+20℃													

■ 尺寸图 Dimensions

单位: mm

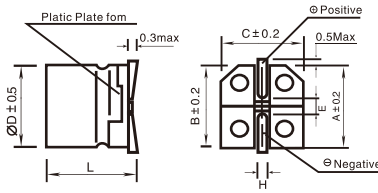


Fig. 1 (Φ4~Φ10)

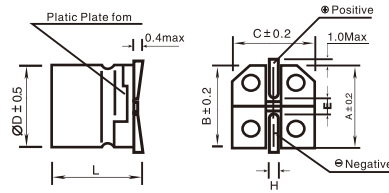


Fig. 2 (≥Φ12.5)

ΦD	A	B	C	E	L	H	Fig.No.
6.3	5.4 ± 0.3	7.2	6.6	6.6	2.1	0.5~0.9	1
6.3	7.7 ± 0.3	7.2	6.6	6.6	2.1	0.5~0.9	1
8	6.5 ± 0.5	9.1	8.3	8.3	3.1	0.8~1.1	1
8	10.2 ± 0.5	9.1	8.3	8.3	3.1	0.8~1.1	1
10	10.2 ± 0.5	11.1	10.3	10.3	4.5	0.8~1.1	1
10	10 ± 12.5	11.1	10.3	10.3	4.5	0.8~1.1	1
12.5	13.5 ± 0.5	13.7	13.0	13.0	4.4	1.0~1.4	2
12.5	16 ± 0.5	13.7	13.0	13.0	4.4	1.0~1.4	2
16	16.5 ± 0.5	18.0	17.0	17.0	6.4	1.0~1.4	2
16	21.5 ± 0.5	18.0	17.0	17.0	6.4	1.0~1.4	2
18	16.5 ± 0.5	20.0	19.0	19.0	6.4	1.0~1.4	2
18	21.5 ± 0.5	20.0	19.0	19.0	6.4	1.0~1.4	2

■ 标准品一览表 Standard Size

WV	10			16			25			35		
uF壳号	D×Lmm	tan δ	mA	D×Lmm	tan δ	mA	D×Lmm	tan δ	mA	D×Lmm	tan δ	mA
10										6.3×5.4	0.14	69
22										6.3×5.4	0.14	69
33							6.3×5.4	0.16	69	6.3×7.7	0.14	110
47							6.3×7.7	0.16	110	8×6.5	0.14	110
100	6.3×7.7	0.24	110	8×10.2	0.20	220	8×6.5	0.16	110	6.3×7.7	0.16	110
220	8×6.5	0.24	110				8×10.2	0.16	110	8×6.5	0.14	110
330	6.3×7.7	0.24	110	8×10.2	0.20	220	8×10.2	0.16	220	8×10.2	0.14	220
470	8×6.5	0.24	110	10×10.2	0.20	296	10×10.2	0.16	296	10×10.2	0.14	296
680	6.3×7.7	0.24	110	10×10.2	0.20	296	10×10.2	0.16	296	12.5×13.5	0.14	750
1000	8×6.5	0.24	110	12.5×13.5	0.18	750	12.5×13.5	0.16	750	16×16.5	0.14	1000
2200	8×10.2	0.24	220	16×16.5	0.18	1000	16×16.5	0.16	1000	12.5×13.5	0.16	750
3300	8×10.2	0.24	220	18×16.5	0.18	1200	18×16.5	0.16	1200	16×16.5	0.14	1000
4700	10×10.2	0.24	296	18×16.5	0.18	1200	18×16.5	0.16	1550	16×16.5	0.14	1000
	12.5×13.5	0.22	618							18×16.5	0.14	1200
	16×16.5	0.24	1000									
	18×16.5	0.24	1200									
	18×16.5	0.26	1200									
	18×16.5	0.28	1550									

WV	50			63			80			100			WV	160			200V			250V			400V			450V				
uF壳号	D×Lmm	tan δ	mA	D×Lmm	tan δ	mA	D×Lmm	tan δ	mA	D×Lmm	tan δ	mA	uF壳号	D×Lmm	tan δ	mA	D×Lmm	tan δ	mA	D×Lmm	tan δ	mA	D×Lmm	tan δ	mA	D×Lmm	tan δ	mA		
10	6.3×5.4	0.14	51	6.3×7.7	0.12	60	8×10.2	0.12	70	8×10.2	0.10	70	1																	
22	8×6.5	0.14	83				8×10.2	0.12	70	8×10.2	0.10	70	2.2							10×10.2	0.24	22								
33	6.3×7.7	0.14	83	8×10.2	0.12	100	10×10.2	0.12	115	10×10.2	0.10	115	3.3							10×12.5	0.24	37	12.5×13.5	0.24	35					
47	8×6.5	0.14	83	10×10.2	0.12	170	8×10.2	0.12	70	10×10.2	0.10	115	4.7							12.5×13.5	0.24	50	12.5×16	0.24	45					
100	6.3×7.7	0.14	83				10×10.2	0.12	115	12.5×13.5	0.10	450	6.8							12.5×16	0.24	70	16×16.5	0.24	60					
220	8×6.5	0.14	83							16×16.5	0.10	650	10	10×12.5	0.20	87	12.5×16	0.20	110	16×16.5	0.24	100								
330	8×10.2	0.14	160										15			12.5×16	0.20	150	12.5×16	0.20	150	16×21.5	0.24	130	16×21.5	0.24	110			
470	10×10.2	0.14	247										22	12.5×16	0.20	180	16×16.5	0.20	200	16×21.5	0.20	210	18×21.5	0.24	240	18×21.5	0.24	230		
	12.5×13.5	0.14	550										33	16×16.5	0.20	220	16×21.5	0.20	250	16×21.5	0.20	250								
	16×16.5	0.14	850										47	16×21.5	0.20	260	18×21.5	0.20	320	18×21.5	0.20	320								
	12.5×16	0.14	700										68	16×21.5	0.20	310														
	16×16.5	0.14	850										100	18×21.5	0.20	400														
	18×16.5	0.14	920																											

mA额定纹波电流Rated ripple current(mA, 130℃, 100kHz)

■ 纹波电流修正系数 / 频率系数 Multiplier For Ripple Current / Frequency coefficient

Rated Voltage(V)	Dimensions	Cap	Frequency			
			120Hz	1kHz	10kHz	100kHz
10~100	≤ 10 × 10.2	10	0.66	0.86	0.93	1.00
		22~470	0.93	0.97	1.00	1.00
		47~100	0.40	0.75	0.90	1.00
	≥ 12.5 × 13.5	220~470	0.50	0.85	0.94	1.00
		680~1000	0.60	0.87	0.95	1.00
		2200~3300	0.75	0.90	0.95	1.00
		4700	0.85	0.95	0.98	1.00
160~450	≥ 12.5 × 13.5	3.3~33	0.55	0.83	0.97	1.00
		47~68	0.66	0.86	0.93	1.00

注: 以上所提供的设计及特性参数仅供参考, 任何修改不做预先通知, 如在使用上有疑问, 请在采购前与我们联系, 以便提供技术上的协助。

Note: all designs and specifications are for reference only and are subject to change without prior notice, if any doubt about safety for your application, please contact us immediately for technical assistance before purchase.

产品编码解析 Explanation of Part Number



Series



Voltage



Capacitance



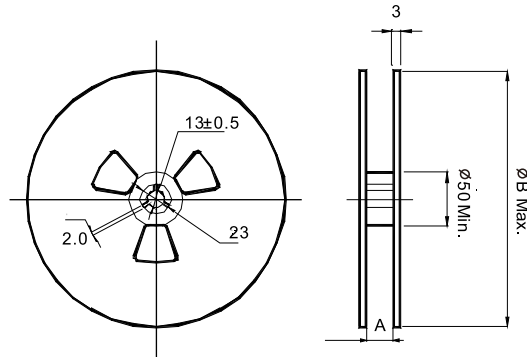
Tol.



Case Size

Series	R.W Voltage (V)	Code	Capacitance (μF)	Code	Cap.Tol	Code	Case Size	Code
RVT	4	0G	0.1	0R1	± 5	J	4*5.4	0405
RVE	6.3	0J	0.22	R22	± 10	K	5*5.4	0505
US	10	1A	0.33	R33	± 15	L	6.3*5.4	0605
UZ	16	1C	0.47	R47	± 20	M	6.3*7.7	0607
UN	25	1E	1	1R0	± 30	N	6.3*10.2	0610
UH	35	1V	1.5	1R5	+ 20 - 10	V	8*6.5	0806
UL	50	1H	2.2	2R2	+ 20 - 5	H	8*10.2	0810
UV	63	1J	3.3	3R3	+ 10 - 20	C	8*12.5	0812
UD	80	1K	4.7	4R7	+ 100 - 0	P	10*10.2	1010
UW	100	2A	5.6	5R6	+ 30 - 10	Q	10*12.5	1012
SF	160	2C	6.8	6R8	+ 20 - 0	R	10*13.5	1013
SH	200	2D	8.2	8R2	+ 50 - 10	T	12.5*13.5	1213
SR	250	2E	10	100	+ 75 - 10	U	12.5*16	1216
SS	350	2V	12	120	+ 40 - 20	X	16*16.5	1616
ST	400	2G	15	150	+ 50 - 20	S	16*21.5	1621
SU	450	2W	22	220	+ 80 - 20	Z	18*16.5	1816
HS	500	2H	33	330			18*21.5	1821
			47	470			20*16.5	2016
			56	560			20*21.5	2021
			68	680				
			100	101				
			220	221				
			330	331				
			470	471				
			560	561				
			680	681				
			820	821				
			1000	102				
			1500	152				
			2200	222				
			3300	332				
			4700	472				
			6800	682				

卷筒 Taping Reel And Packing Quantity



规格 Specification	卷装数量 Quantity/Reel	盒装数量 Quantity/Bag	A ± 0.3 (MM)	B ± 2 (MM)
Φ4*5.4	2000 pcs	20000 pcs	14	382
Φ5*5.4	1000 pcs	10000 pcs	14	382
Φ6.3*5.4	1000 pcs	10000 pcs	18	382
Φ6.3*7.7	1000 pcs	10000 pcs	18	382
Φ6.3*10.2	700 pcs	7000 pcs	18	382
Φ8*6.5	1000 pcs	10000 pcs	18	382
Φ8*10.2	500 pcs	5000 pcs	26	382
Φ8*12.5	400 pcs	4000 pcs	26	382
Φ10*10.2	500 pcs	5000 pcs	26	382
Φ10*12.5	400 pcs	4000 pcs	26	382
Φ10*13.5	300 pcs	3000 pcs	26	382
Φ12.5*13.5	200 pcs	1600 pcs	34	382
Φ12.5*16	200 pcs	1600 pcs	34	382
Φ16*16.5	125 pcs	250 pcs	46	332
Φ16*21.5	75 pcs	150 pcs	46	332
Φ18*16.5	125 pcs	250 pcs	46	332
Φ18*21.5	75 pcs	150 pcs	46	332
Φ20*16.5	100 pcs	200 pcs	46	332
Φ20*21.5	50 pcs	100 pcs	46	332

焊接方法和再流焊允许范围 Soldering method and allowable range of the reflow

焊接方式 Soldering Method	再流焊的允许范围 Allowable Range of Reflow
热板再流焊 Hot-Plate Reflow	
红外线再流焊 Infrared-Ray Reflow	

