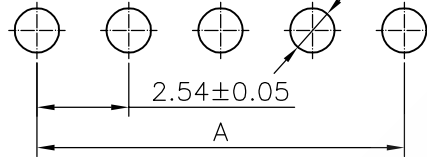
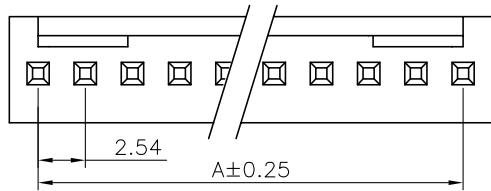
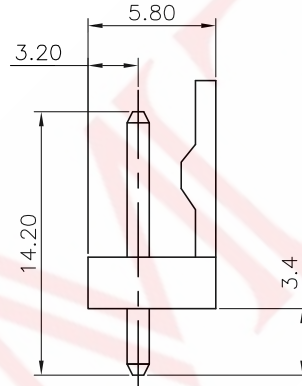
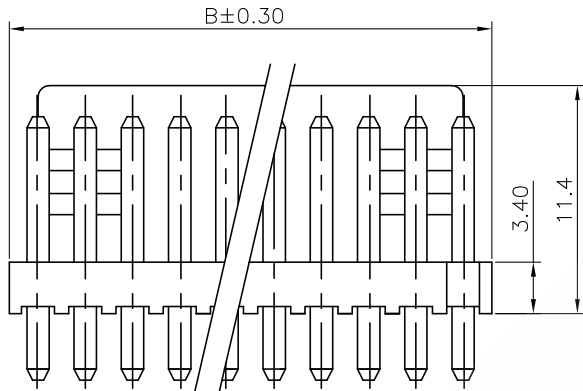


SAMZO REAC/ROHS

REV	ECN NO	DESCRIPTION	DESIGN	APPROVAL	DATE
A1	NEW	Replace frame			2013.06.21



P.C.B LAYOUT



- ◆ SPECIFICATIONS
- Current rating: 4A AC, DC
 - Voltage rating: 250V AC, DC
 - Temperature range: -25°C ~ +85°C
 - Insulation resistance: 1000MΩ Min.
 - Withstanding voltage: 1000V AC/ minute.
 - Contact resistance: 10mΩ Max.

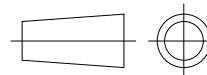
Part No.	Dimension mm	
	A	B
02	2.54	5.08
03	5.08	7.62
04	7.62	10.16
05	10.16	12.70
06	12.70	15.24
07	15.24	17.78
08	17.78	20.32
09	20.32	22.86
10	22.86	25.40
11	25.40	27.94
12	27.94	30.48
13	30.48	33.02
14	33.02	35.56
15	35.56	38.10

A. SERISE: 5V-2510
 B. SPACING: M-2.54mm
 C. MOUNTING: A-LD
 D. STANDARD: A-WAFER
 E: PIN: 02-2P (02-15P)
 F: CODE: 0-REGULAR

5VMAA0**
 A B C D E F

ITEM	DESCRIPTION	MATERIAL	QTY	FINSH/COLOR	DESIGN	DATE	GENERAL TOLERANCE
1	针脚	黄铜	N	镀锡	WANGGUIFA	2018.06.12	≥0~2< ±0.15
2	主体	PA66	1	XXX	ZHENGUILAN	2018.06.12	≥2~5< ±0.25
					LILIANJIANG	2018.06.14	≥5 ±0.35

FIRST VIEW



The copyright belongs to samzo parts [China] Co., Ltd. please use the material after samzo parts agree to authorize. The final right of interpretation belongs to samzo parts.
 WWW.KKK-JP.COM

TITLE: 2510-180°

DWG NO: 5VMA-P2541

PART NO: 5VMA25410

MODEL NO: 5VMAA-**-0

NAME: WAFER CONNECTOR

SAMZO COMPONENTS
 Electronic switch and connector manufacturer