



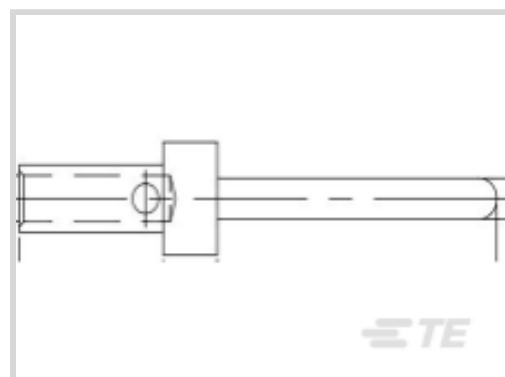
LGH

TE Internal #: 867782-2

Pin Contact, Gold, Snap-In Contact Retention, Size 20 Contact Size,
24 – 20 AWG Wire Size, .2 – .6 mm² Wire Size, Crimp, Brass, Power
& Signal

[View on TE.com >](#)

Connectors > Contacts > Connector Contacts

Contact Type: **Pin**Contact Mating Area Plating Material: **Gold**Contact Retention Type Within Housing: **Snap-In**Contact Size: **Size 20**Wire Size: **24 – 20 AWG**

Features

Contact Features

Contact Underplating Material	Nickel
Contact Type	Pin
Contact Mating Area Plating Material	Gold
Contact Size	Size 20
Contact Base Material	Brass
Contact Current Rating (Max)	7.5 A

Termination Features

Termination Method to Wire & Cable	Crimp
Product Terminates To	Wire & Cable

Mechanical Attachment

Contact Retention Type Within Housing	Snap-In
---------------------------------------	---------

Dimensions

Compatible Insulation Diameter Range	1.07 – 1.85 mm [.042 – .073 in]
Wire Size	.2 – .6 mm ²

Usage Conditions

Operating Temperature Range	-65 – 125 °C [-85 – 257 °F]
-----------------------------	-----------------------------

Operation/Application



Circuit Application	Power & Signal
---------------------	----------------

Product Compliance

[For compliance documentation, visit the product page on TE.com>](#)

EU RoHS Directive 2011/65/EU	Compliant with Exemptions
EU ELV Directive 2000/53/EC	Compliant with Exemptions
China RoHS 2 Directive MIIT Order No 32, 2016	Restricted Materials Above Threshold
EU REACH Regulation (EC) No. 1907/2006	Current ECHA Candidate List: JUNE 2024 (241) Candidate List Declared Against: JAN 2024 (240) SVHC > Threshold: Pb (4% in Contact/Component) Article Safe Usage Statements: Do not eat, drink or smoke when using this product. Wash thoroughly after handling. Recycle if possible and dispose of the article by following all applicable governmental regulations relevant to your geographic location.

Halogen Content	Not Yet Reviewed for halogen content
-----------------	--------------------------------------

Solder Process Capability	Not applicable for solder process capability
---------------------------	--

Product Compliance Disclaimer

This information is provided based on reasonable inquiry of our suppliers and represents our current actual knowledge based on the information they provided. This information is subject to change. The part numbers that TE has identified as EU RoHS compliant have a maximum concentration of 0.1% by weight in homogenous materials for lead, hexavalent chromium, mercury, PBB, PBDE, DBP, BBP, DEHP, DIBP, and 0.01% for cadmium, or qualify for an exemption to these limits as defined in the Annexes of Directive 2011/65/EU (RoHS2). Finished electrical and electronic equipment products will be CE marked as required by Directive 2011/65/EU. Components may not be CE marked. Additionally, the part numbers that TE has identified as EU ELV compliant have a maximum concentration of 0.1% by weight in homogenous materials for lead, hexavalent chromium, and mercury, and 0.01% for cadmium, or qualify for an exemption to these limits as defined in the Annexes of Directive 2000/53/EC (ELV). Regarding the REACH Regulation, the information TE provides on SVHC in articles for this part number is based on the latest European Chemicals Agency (ECHA) 'Guidance on requirements for substances in articles' posted at this URL: <https://echa.europa.eu/guidance-documents/guidance-on-reach>

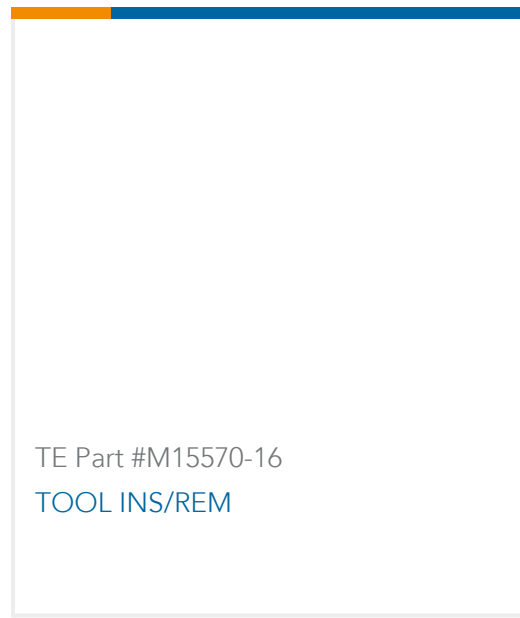
Customers Also Bought

TE Part #87224-3
03 MODII HDR SRST UNSHRD .100

TE Part #38941-22L
CONTACTS

TE Part #52046-1
TERMINAL R PG 2/0 5/16

TE Part #2-36150-1
TERM, RING, PIDG, 22-16, 6, T&R



Documents

Product Drawings

LGH CONTACT PIN

English

CAD Files

3D PDF

3D

Customer View Model

[ENG_CVM_CVM_867782-2_A.2d_dxf.zip](#)

English

Customer View Model

[ENG_CVM_CVM_867782-2_A.3d_igs.zip](#)

English

Customer View Model

[ENG_CVM_CVM_867782-2_A.3d_stp.zip](#)

English

By downloading the CAD file I accept and agree to the [Terms and Conditions](#) of use.