

16 XNES/J 250

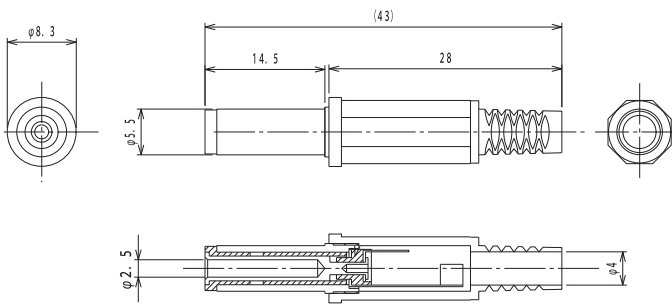
Power supply connectors



Power supply plug, long, straight version, with solder eyes and bend protection

16

XNES/J 250



#### Environmental conditions

Temperature range -20 °C/+70 °C

#### Materials

Insulating body	PC
Contact	CuZn, nickel-plated
Insulation	POM/PVC
Housing	PP

#### Mechanical data

Outer diameter	5.5 mm
Inner diameter	2.5 mm

#### Connectable conductors for solder area

Cable diameter 4 mm

#### Electrical data (at T<sub>amb</sub> 20 °C)

Contact resistance	≤ 30 mΩ
Rated current	1 A
Rated voltage	12 V DC
Rated impulse voltage	500 V/60 s
Insulation resistance	≥ 100 MΩ

#### Associated products

Counterparts

☞ 1610 05	☞ 1610 07	☞ 1613 21
☞ 1613 33	☞ 1614 10	☞ 1614 15
☞ 1614 20	☞ 1614 24	☞ NEB/J 25
☞ NEB/J 25 C	☞ NEK/J 250	

16

XNES/J 250

Designation	Pole Number	PU (Pieces)	MDQ (Pieces)
XNES/J 250	2	100	500

**Packaging:**

in bulk, in a cardboard box or a plastic bag