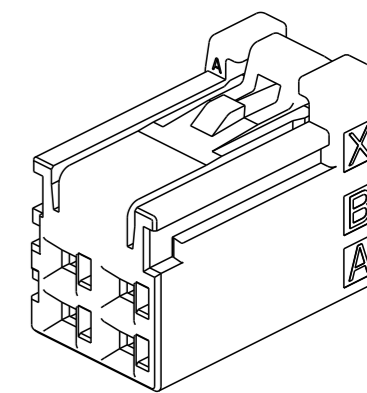


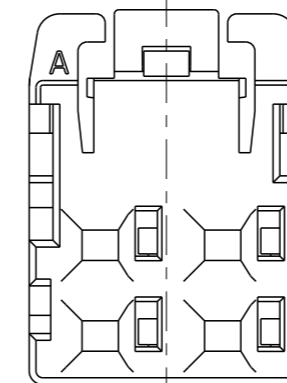
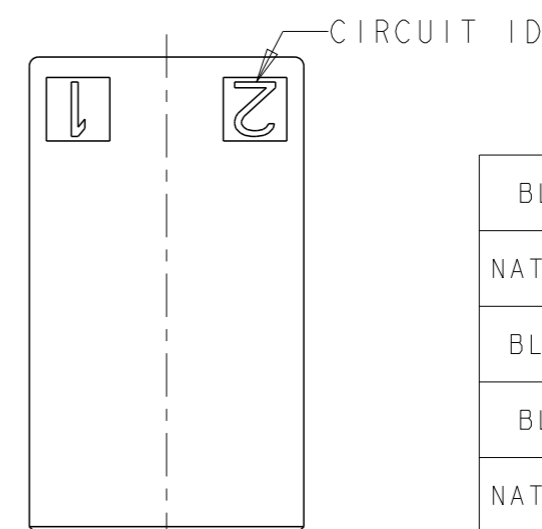
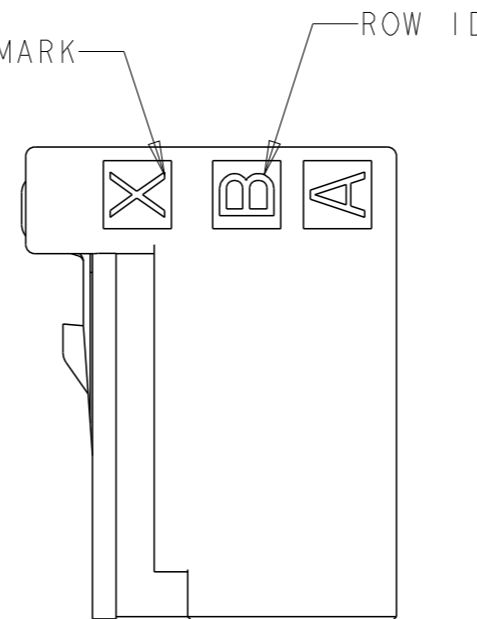
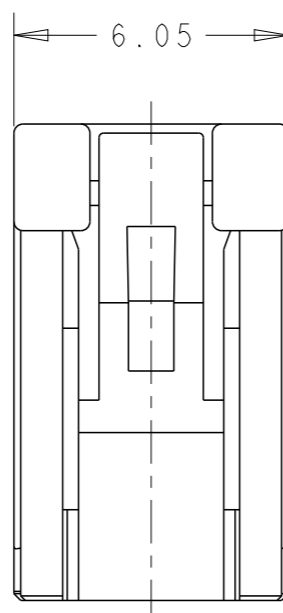
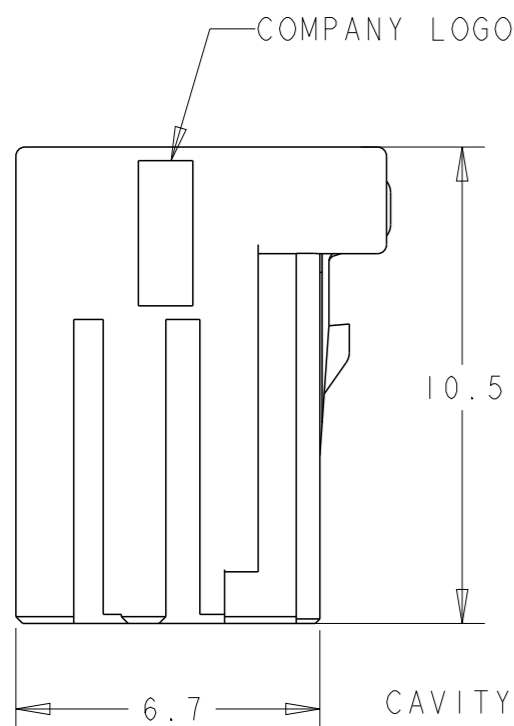
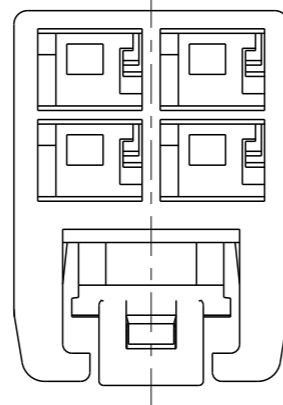
P	LTR	DESCRIPTION	DATE	DWN	APVD
	A	RELEASED	23MAR2021	Y.O	E.I
	B	REVISED	17JUN2021	Y.O	T.S
	C	REVISED	13JAN2022	Y.O	T.S

1. MATERIAL: GLASS FILED THERMO PLASTIC POLYESTER(94V-0), COLOR: SEE TABLE CONTAMINATION Ø1.2 MAX
2. INSTRUCTION SHEET: 408-78197
3. CIRCUIT NUMBER IS CONSISTED ROW ID AND CIRCUIT ID  
EX: A1, A2, B1, B2  
REFER TO SHEET 5

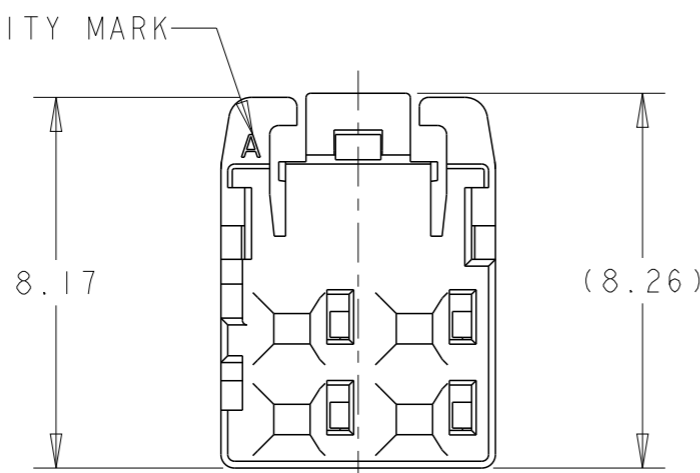


SCALE 4:1

COLOR	KEYING	POSN	PART NUMBER	
BLUE	Y	12	8-2366515-2	
	X		7-2366515-2	
NATURAL	Y		6-2366515-2	
	X		5-2366515-2	
BLACK	Y		4-2366515-2	
	X		3-2366515-2	
BLUE	Y		8	8-2366515-8
	X			7-2366515-8
NATURAL	Y			6-2366515-8
	X			5-2366515-8
BLACK	Y			2-2366515-8
	X			1-2366515-8
BLUE	Y	6		8-2366515-6
	X			7-2366515-6
NATURAL	Y		6-2366515-6	
	X		5-2366515-6	
BLACK	Y		2-2366515-6	
	X		1-2366515-6	
BLUE	Y	4	8-2366515-4	
	X		7-2366515-4	
NATURAL	Y		6-2366515-4	
	X		5-2366515-4	
BLACK	Y	2-2366515-4		
	X	1-2366515-4		



2-2366515-4  
Y KEY 4POSN



1-2366515-4  
X KEY 4POSN

THIS DRAWING IS A CONTROLLED DOCUMENT.		DWN Y. OKADA 12MAY2020		
DIMENSIONS: mm		CHK T. SHIMOYASU 12MAY2020		
TOLERANCES UNLESS OTHERWISE SPECIFIED: ±0.5, ±3°		APVD E. IKEMATSU 12MAY2020	NAME RECEPTACLE HOUSING, D1000 SLIM, DYNAMIC	
0 PLC ±-		PRODUCT SPEC 108-140257	SIZE A3	
1 PLC ±0.5		APPLICATION SPEC -	CAGE CODE 300779	DRAWING NO C-2366515
2 PLC ±0.13		WEIGHT -	RESTRICTED TO -	
3 PLC ±0.013		CUSTOMER DRAWING	SCALE 6:1	SHEET 1 OF 5
4 PLC ±0.0001				REV C
ANGLES ±-				
FINISH -				
MATERIAL SEE NOTE				

REVISIONS

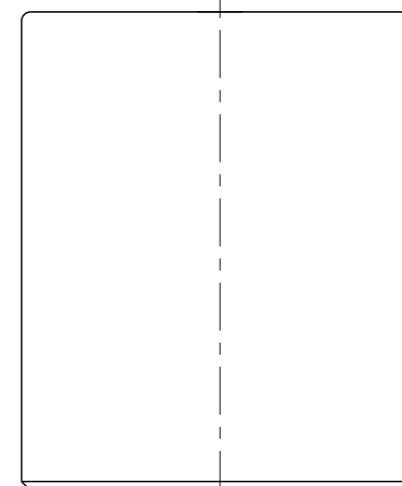
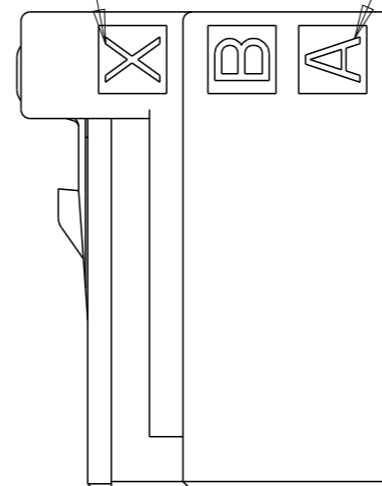
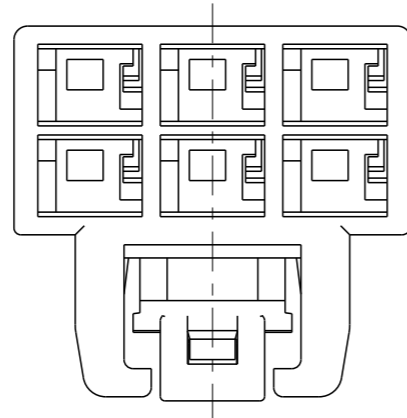
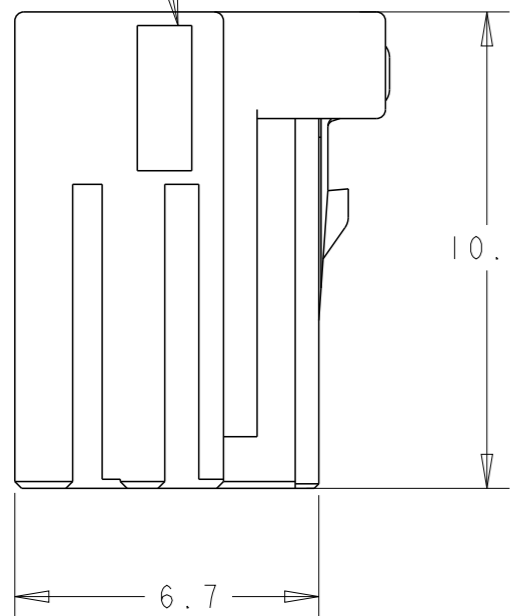
P	LTR	DESCRIPTION	DATE	DWN	APVD
	-	SEE SHEET 1	-	-	-

COMPANY LOGO

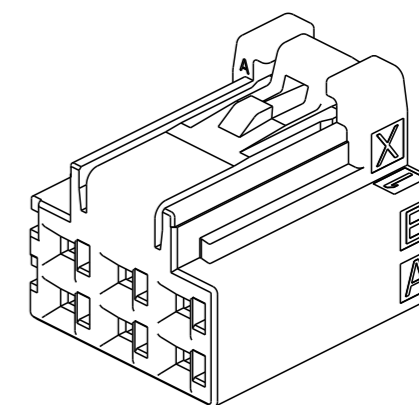
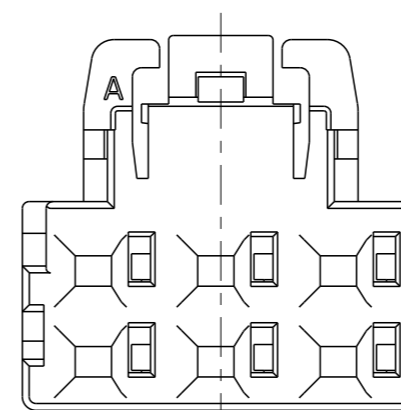
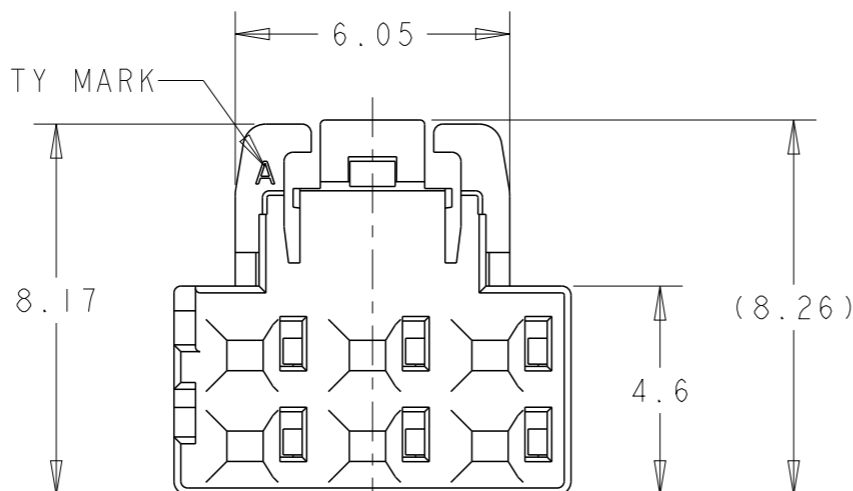
CIRCUIT ID

KEYING MARK

ROW ID



CAVITY MARK



SCALE 4:1

2-2366515-6  
Y KEY 6POSN

1-2366515-6  
X KEY 6POSN

THIS DRAWING IS A CONTROLLED DOCUMENT.

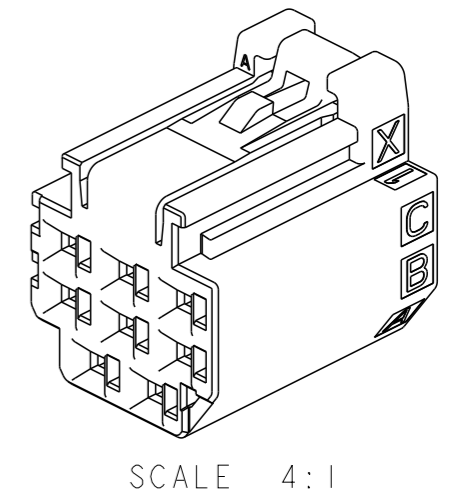
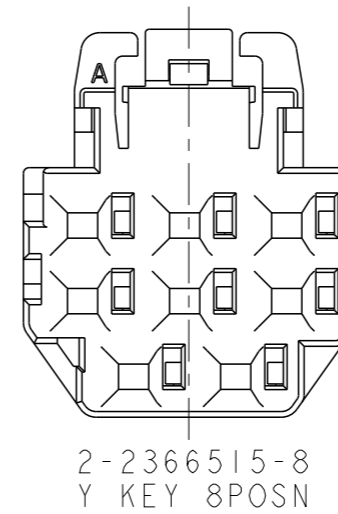
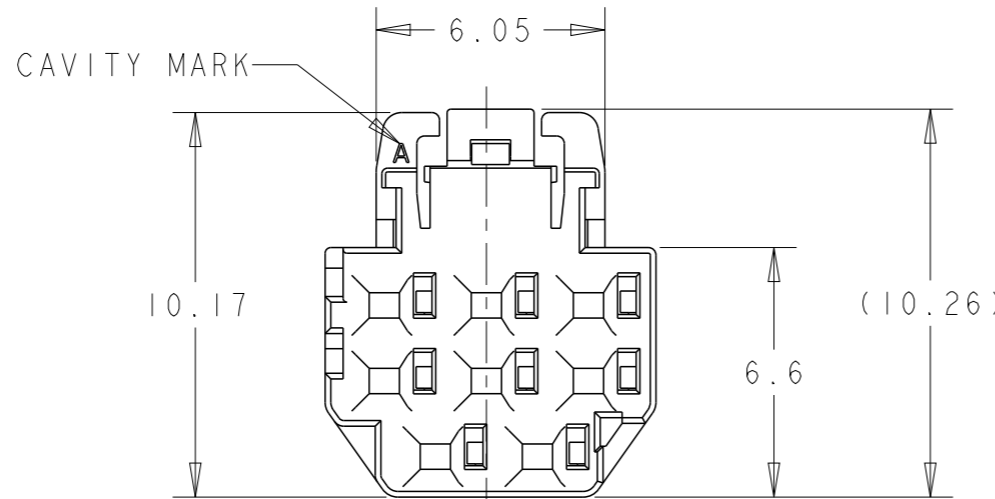
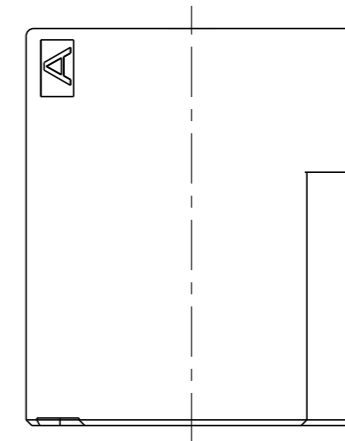
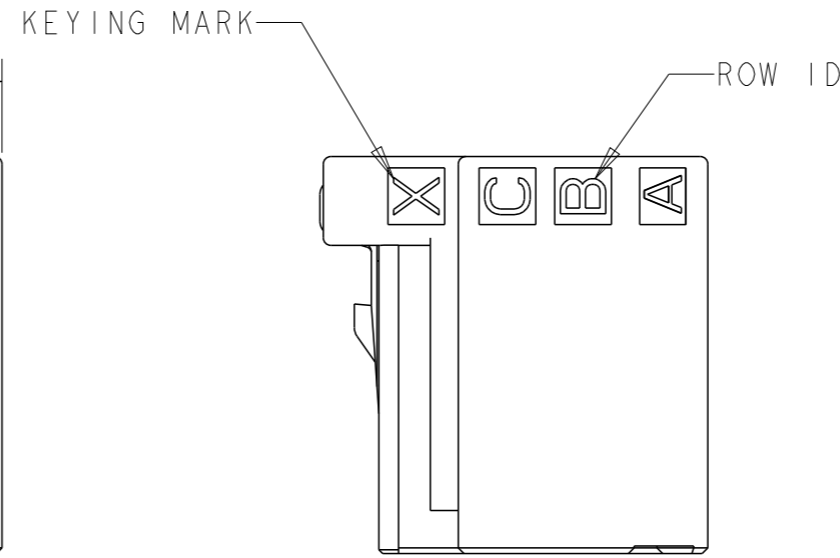
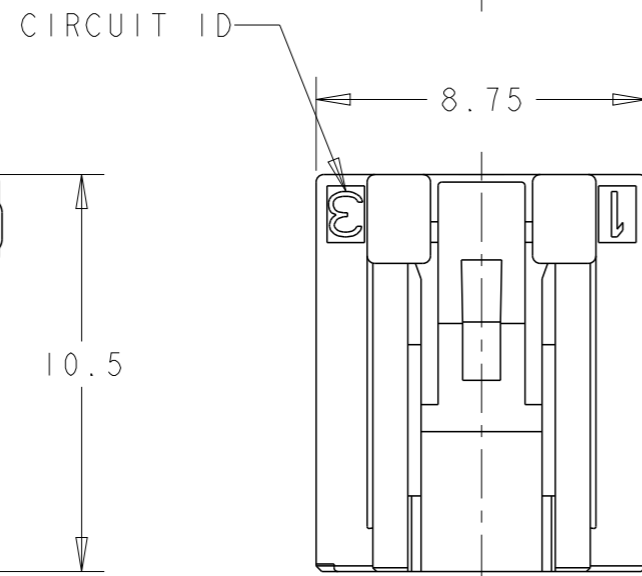
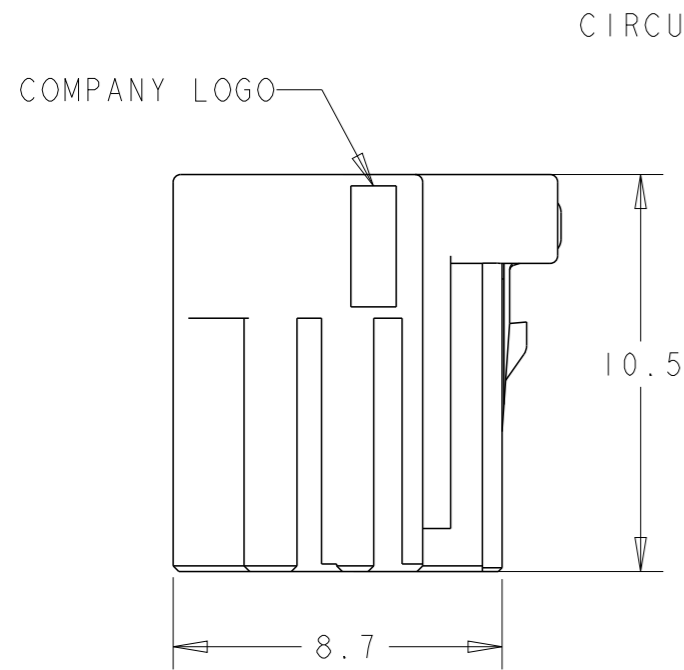
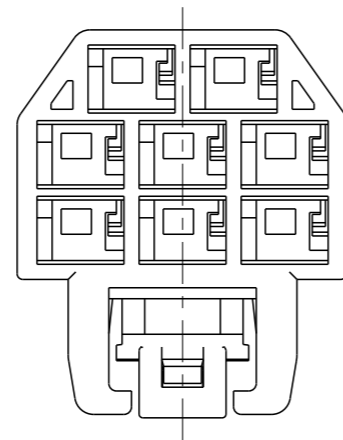
DIMENSIONS: mm	
MATERIAL SEE NOTE	
-	

TOLERANCES UNLESS OTHERWISE SPECIFIED: $\pm 0.5, \pm 3^\circ$	
0-PLC	$\pm$
1-PLC	$\pm 0.5$
2-PLC	$\pm 0.13$
3-PLC	$\pm 0.013$
4-PLC	$\pm 0.0001$
ANGLES	$\pm$
FINISH	-
	-

DWN	Y. OKADA	12MAY2020
CHK	T. SHIMOYASU	12MAY2020
APVD	E. IKEMATSU	12MAY2020
PRODUCT SPEC	108-140257	
APPLICATION SPEC	-	
WEIGHT	-	
CUSTOMER DRAWING		

		NAME RECEPTACLE HOUSING, D1000 SLIM, DYNAMIC	
		SIZE A3	CAGE CODE 00779
DRAWING NO C-2366515		RESTRICTED TO -	
SCALE 6:1		SHEET 2 OF 5	REV C

P	LTR	DESCRIPTION	DATE	DWN	APVD
-	-	SEE SHEET 1	-	-	-

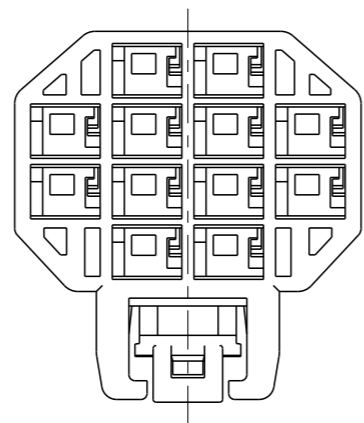


1-2366515-8  
X KEY 8 POSN

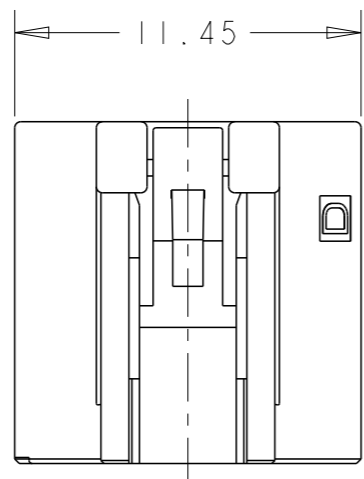
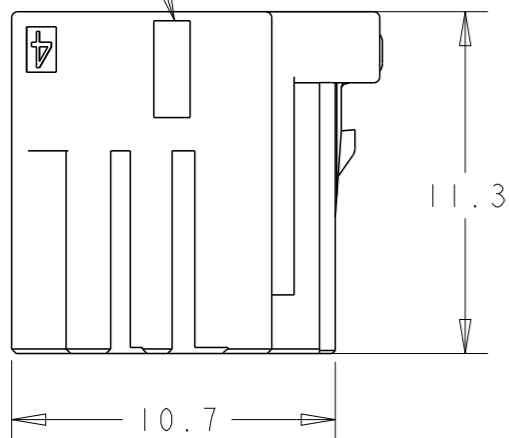
THIS DRAWING IS A CONTROLLED DOCUMENT.		DWN Y. OKADA 12MAY2020														
DIMENSIONS: mm		CHK T. SHIMOYASU 12MAY2020														
TOLERANCES UNLESS OTHERWISE SPECIFIED: ±0.5, ±3°		APVD E. IKEMATSU 12MAY2020	NAME RECEPTACLE HOUSING, D1000 SLIM, DYNAMIC													
<table border="1"> <tr><td>0-PLC</td><td>±</td></tr> <tr><td>1-PLC</td><td>±0.5</td></tr> <tr><td>2-PLC</td><td>±0.13</td></tr> <tr><td>3-PLC</td><td>±0.013</td></tr> <tr><td>4-PLC</td><td>±0.0001</td></tr> <tr><td>ANGLES</td><td>±</td></tr> </table>		0-PLC	±	1-PLC	±0.5	2-PLC	±0.13	3-PLC	±0.013	4-PLC	±0.0001	ANGLES	±	PRODUCT SPEC 108-140257	SIZE A3	
0-PLC	±															
1-PLC	±0.5															
2-PLC	±0.13															
3-PLC	±0.013															
4-PLC	±0.0001															
ANGLES	±															
MATERIAL SEE NOTE		APPLICATION SPEC -	CAGE CODE 00779	DRAWING NO C-2366515												
FINISH -		WEIGHT -	RESTRICTED TO -													
-		CUSTOMER DRAWING	SCALE 5:1	SHEET 3 OF 5												
-			REV C													

REVISIONS

P	LTR	DESCRIPTION	DATE	DWN	APVD
	-	SEE SHEET 1	-	-	-



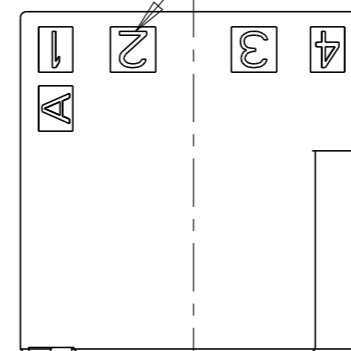
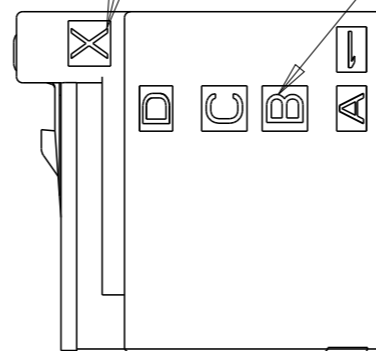
COMPANY LOGO



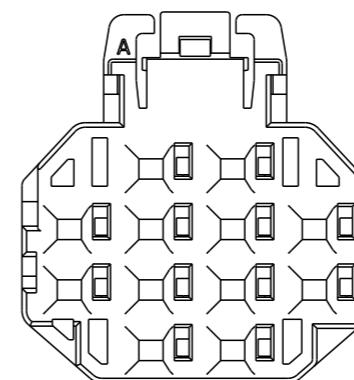
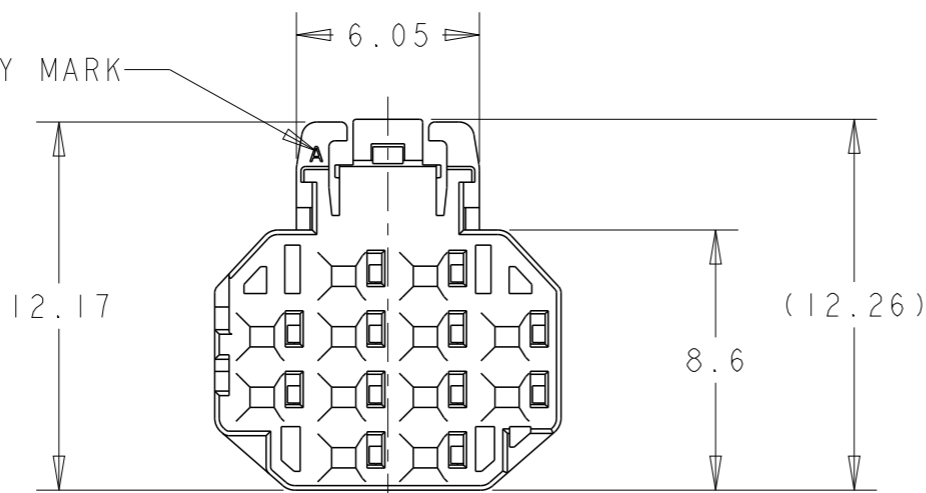
KEYING MARK

ROW ID

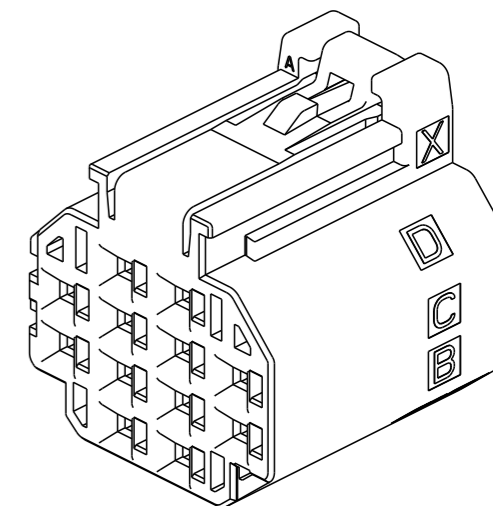
CIRCUIT ID



CAVITY MARK



4-2366515-2  
Y KEY 12 POSN



3-2366515-2  
X KEY 12 POSN

THIS DRAWING IS A CONTROLLED DOCUMENT.

DIMENSIONS: mm	TOLERANCES UNLESS OTHERWISE SPECIFIED: ±0.5, ±3°
	0-PLC ±
	1-PLC ±0.5
	2-PLC ±0.13
	3-PLC ±0.013
	4-PLC ±0.0001
	ANGLES ±
MATERIAL SEE NOTE	FINISH -

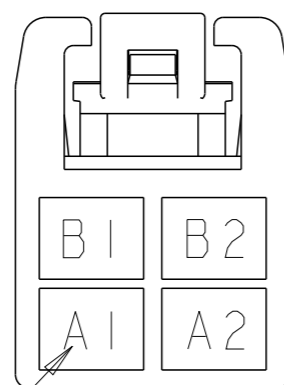
DWN Y. OKADA	12MAY2020
CHK T. SHIMOYASU	12MAY2020
APVD E. IKEMATSU	12MAY2020
PRODUCT SPEC	108-140257
APPLICATION SPEC	-
WEIGHT	-
CUSTOMER DRAWING	



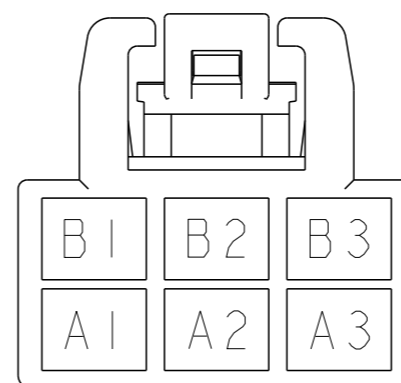
NAME RECEPTACLE HOUSING, D1000 SLIM, DYNAMIC				RESTRICTED TO
SIZE A3	CAGE CODE 00779	DRAWING NO C-2366515		
SCALE 4:1	SHEET 4 OF 5	REV C		

REVISIONS

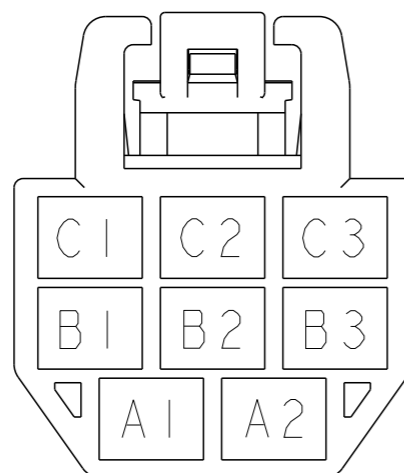
P	LTR	DESCRIPTION	DATE	DWN	APVD
	-	SEE SHEET 1	-	-	-



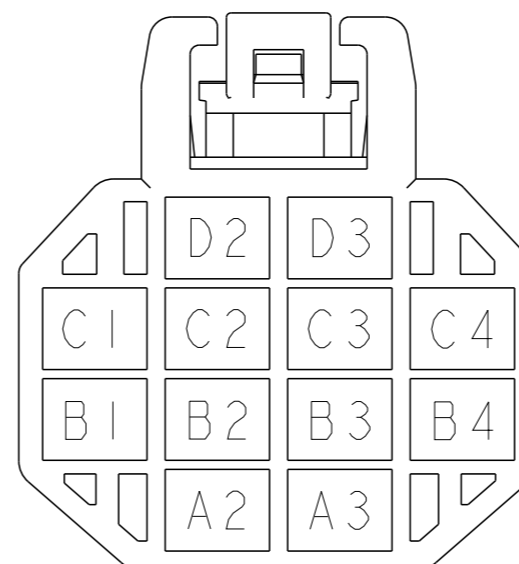
CIRCUIT NUMBER 4 POSN



6 POSN



8 POSN



12 POSN

THIS DRAWING IS A CONTROLLED DOCUMENT.		DWN Y. OKADA 12MAY2020		
DIMENSIONS: mm		CHK T. SHIMOYASU 12MAY2020		
		APVD E. IKEMATSU 12MAY2020	NAME RECEPTACLE HOUSING, D1000 SLIM, DYNAMIC	
TOLERANCES UNLESS OTHERWISE SPECIFIED: ± 0.5, ± 3°		PRODUCT SPEC 108-140257	RESTRICTED TO	
MATERIAL SEE NOTE		APPLICATION SPEC -	SIZE A3	CAGE CODE 00779
FINISH -		WEIGHT -	DRAWING NO C-2366515	
-		CUSTOMER DRAWING	SCALE 6:1	SHEET 5 OF 5
				REV C