

NOTES:

1.MATERIALS:

1-1.HOUSING: SEE TABLE ,GLASS FIBER FILLED UL94V-0,
COLOR: SEE TABLE.

1-2.CONTACT: SEE TABLE

2.PLATING:

2-1.CONTACT AREA: GOLD, THICKNESS : SEE TABLE .

2-2.SOLDER TAIL: 100 MICROINCH MIN. TIN PLATING.

2-3.UNDER PLATING: 50 MICROINCH MIN. NICKEL PLATING OVERALL.

3.WEEK CODE: XX(YEAR) XX(WEEK) X(LOCATION).

4.PRODUCT SPECIFICATION REFER TO PS-87715-200.

5.PACKAGING SPECIFICATION REFER TO PK-87715-207.

6.TEST SUMMARY:REFER TO TS-87715-207.

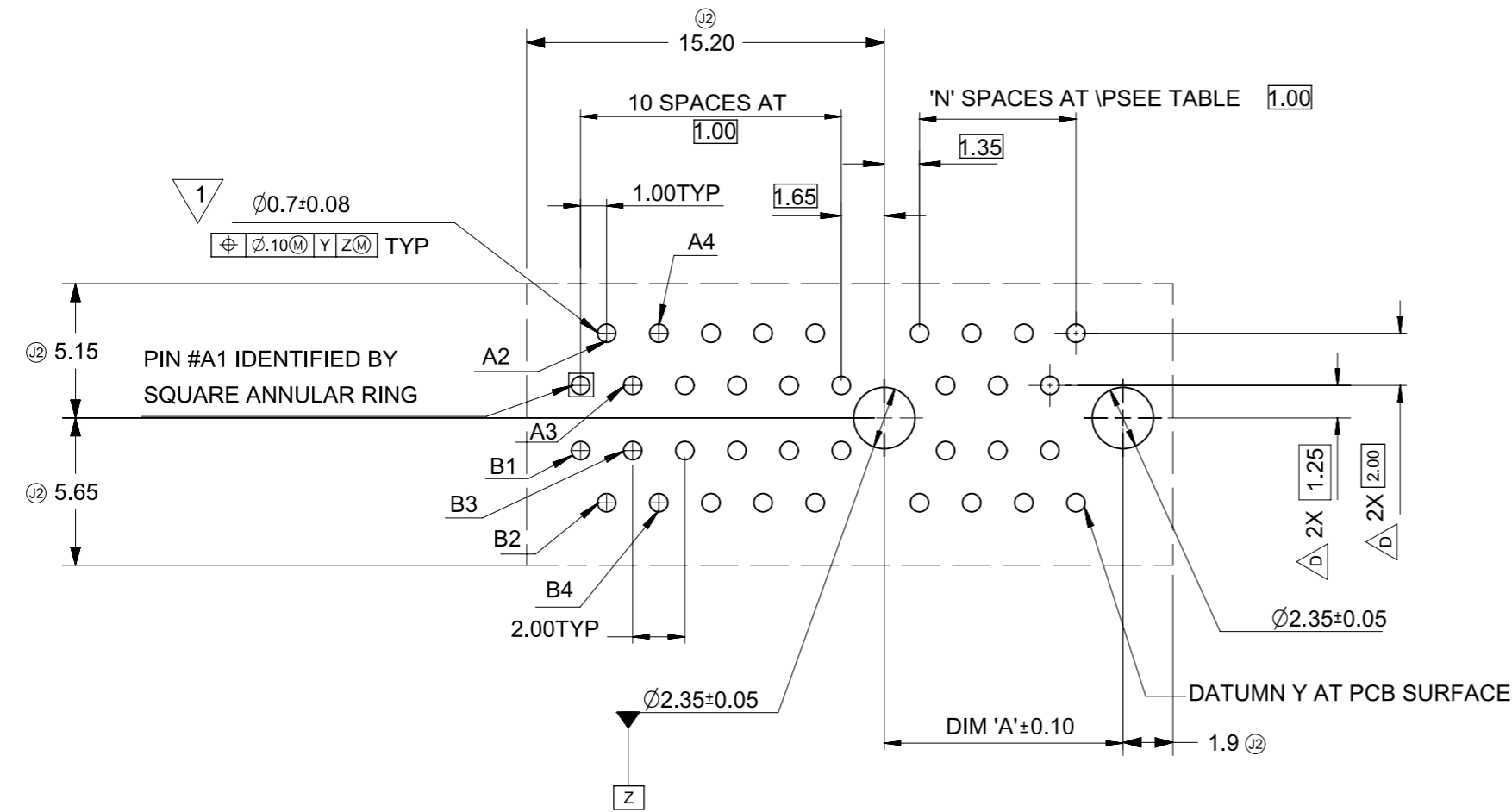
7.LEAD FREE AND ROHS COMPLIANCE PRODUCT.

CONNECTOR LINK WIDTH	# POS REF	N	DIM "A"	DIM "B"	DIM "C"
X1	36	6	7.65	25.00	9.15
X4	64	20	21.65	39.00	23.15
X8	98	37	38.65	56.00	40.15
X16	164	70	71.65	89.00	73.15

PCB THK (REF)	DIM "D"
1.60	2.30
1.58	2.54
2.36	3.00

THIS DRAWING CONTAINS INFORMATION THAT IS PROPRIETARY TO MOLEX ELECTRONIC TECHNOLOGIES, LLC AND SHOULD NOT BE USED WITHOUT WRITTEN PERMISSION

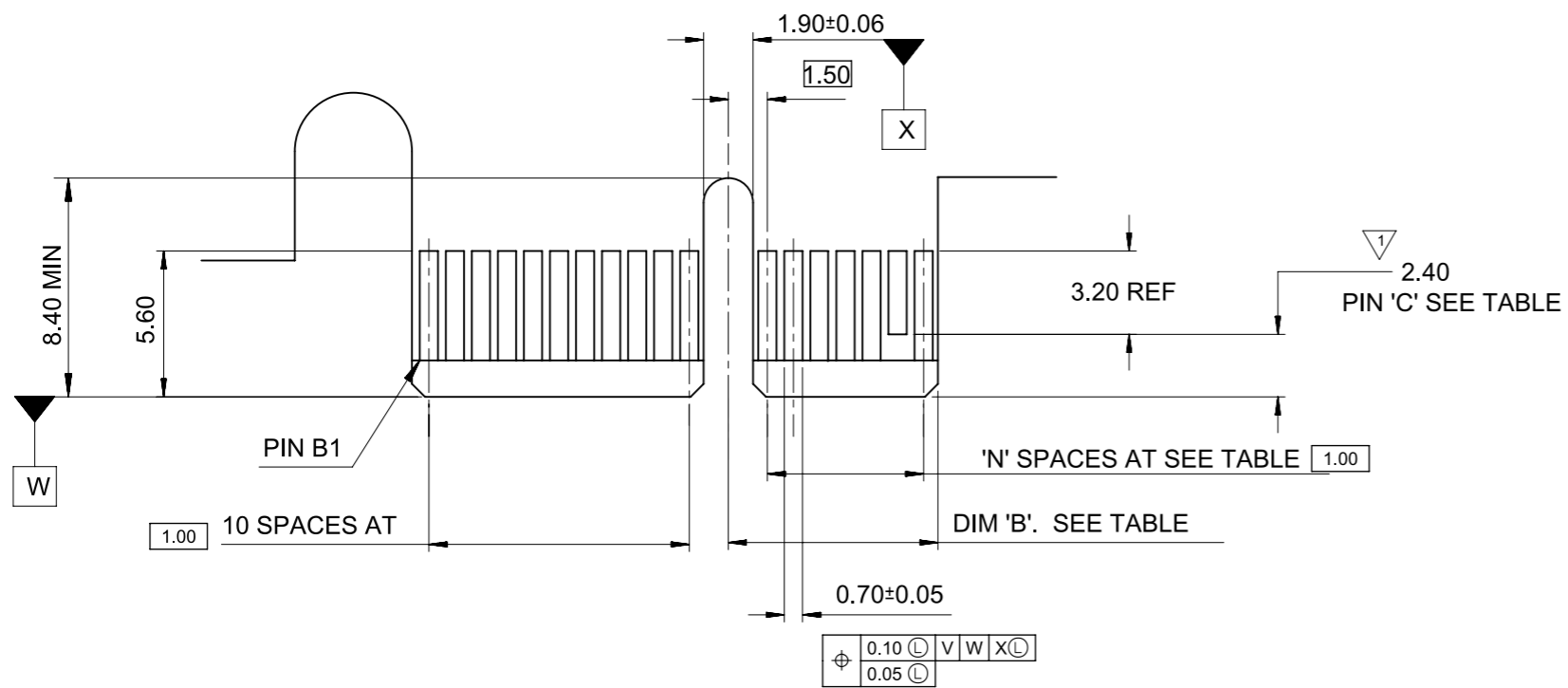
DIMENSION UNITS mm	SCALE NTS	CURRENT REV DESC: REMOVED OBSOLETE PART NUMBER AS PER PCN#514494.	molex			
GENERAL TOLERANCES (UNLESS SPECIFIED)		PHASE:				PCI EXPRESS EDGE CARD CONNECTOR (LEAD FREE VERSION)
4 PLACES ±	MM	INCH	PRODUCT SALES DRAWING			
3 PLACES ±			CO NO:	DOCUMENT NUMBER		
2 PLACES ± 0.250			DRWN: Ravindra Reddy MS 2023-11-10	SD-87715-207		
1 PLACE ± 0.25			CHK'D: Ganesh Rao B 2023-12-20	DOC TYPE	DOC PART	REVISION
0 PLACES ±			APPR: Gurunandan GA 2023-12-20	PSD	001	J4
ANGULAR TOL ± 3.0°			INITIAL REVISION:	SHEET NUMBER		
DRAFT WHERE APPLICABLE MUST REMAIN WITHIN DIMENSIONS		THIRD ANGLE PROJECTION	DRW: TOM 2004/07/20	MATERIAL NUMBER	CUSTOMER	1 OF 4
			APPR: WILSON 2004/07/20	SEE TABLE	GENERAL MARKET	



1 THE HORIZONTAL AXIS FOR THE HOLE PATTERN IS ESTABLISHED BY A LINE THROUGH THE CENTER OF THE TWO $\varnothing 2.35$ HOLES. THE VERTICAL AXIS IS 90° TO THE HORIZONTAL AXIS. THROUGH THE CENTER OF DATUM Z

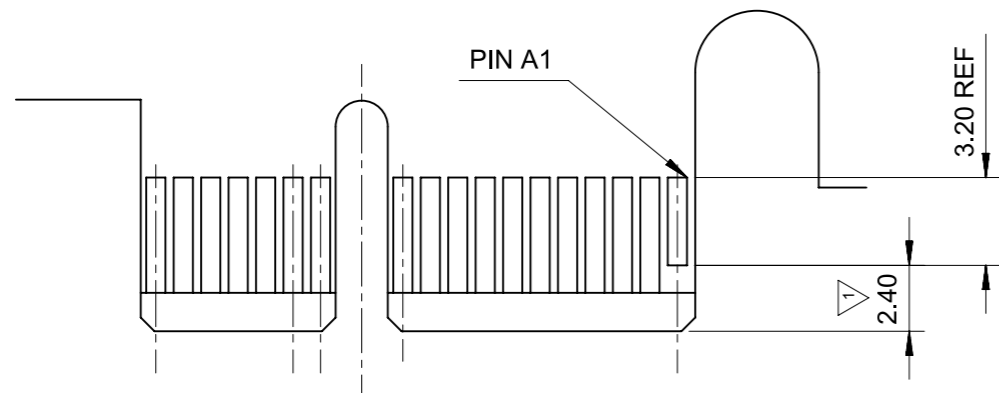
CONNECTOR LINK WIDTH	# POS REF	N	DIM 'A'
X1	36	6	9.15
X4	64	20	23.15
X8	98	37	40.15
X16	164	70	73.15

THIS DRAWING CONTAINS INFORMATION THAT IS PROPRIETARY TO MOLEX ELECTRONIC TECHNOLOGIES, LLC AND SHOULD NOT BE USED WITHOUT WRITTEN PERMISSION									
DIMENSION UNITS		SCALE		CURRENT REV DESC: REMOVED OBSOLETE PART NUMBER AS PER PCN#514494.				molex	
mm		NTS							
GENERAL TOLERANCES (UNLESS SPECIFIED)				PHASE:		PCI EXPRESS			
				CO NO:		EDGE CARD CONNECTOR (LEAD FREE VERSION)			
4 PLACES ±				DRWN: Ravindra Reddy MS		2023-11-10			
3 PLACES ±				CHK'D: Ganesh Rao B		2023-12-20			
2 PLACES ± 0.250				APPR: Gurunandan GA		2023-12-20			
1 PLACE ± 0.25				INITIAL REVISION:		PRODUCT SALES DRAWING			
0 PLACES ±				DRWN: TOM		2004/07/20		DOCUMENT NUMBER	
ANGULAR TOL ± 3.0°				APPR: WILSON		2004/07/20		SD-87715-207	
DRAFT WHERE APPLICABLE MUST REMAIN WITHIN DIMENSIONS		THIRD ANGLE PROJECTION		DRAWING		SERIES		MATERIAL NUMBER	
				A3-SIZE		87715		SEE TABLE	
				CUSTOMER		GENERAL MARKET		SHEET NUMBER	
								2 OF 4	



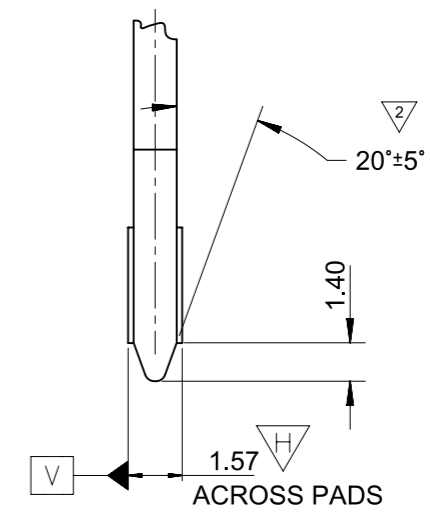
← I/O PANEL DIRECTION

PRIMARY (COMPONENT) SIDE



I/O PANEL DIRECTION →

SECONDARY (SOLDER) SIDE



1 NO TIE BAR PERMITTED FROM CARD EDGE TO LEADING EDGE OF PAD FOR PINS A1 AND "C".

2 CHAMFER EDGES MUST BE FREE OF CUTTING BURRS.

3. TOLERANCE: .XX±.13

CONNECTOR LINK WIDTH	# POS REF	N	DIM 'B'	'C' 1
X1	36	6	8.15	B17
X4	64	20	22.15	B17, B31
X8	98	37	39.15	B17, B31 B48
X16	164	70	72.15	B17, B31 B48, B81

THIS DRAWING CONTAINS INFORMATION THAT IS PROPRIETARY TO MOLEX ELECTRONIC TECHNOLOGIES, LLC AND SHOULD NOT BE USED WITHOUT WRITTEN PERMISSION											
DIMENSION UNITS mm		SCALE NTS		CURRENT REV DESC: REMOVED OBSOLETE PART NUMBER AS PER PCN#514494.				molex		PCI EXPRESS EDGE CARD CONNECTOR (LEAD FREE VERSION)	
GENERAL TOLERANCES (UNLESS SPECIFIED)				PHASE:							
				CO NO:							
4 PLACES ±		±		DRWN: Ravindra Reddy MS 2023-11-10							
3 PLACES ±		±		CHK'D: Ganesh Rao B 2023-12-20							
2 PLACES ± 0.250		±		APPR: Gurunandan GA 2023-12-20							
1 PLACE ± 0.25		±		INITIAL REVISION:							
0 PLACES ±		±		DRWN: TOM 2004/07/20				DOCUMENT NUMBER		DOC TYPE DOC PART REVISION	
ANGULAR TOL ± 3.0°				APPR: WILSON 2004/07/20				SD-87715-207		PSD 001 J4	
DRAFT WHERE APPLICABLE MUST REMAIN WITHIN DIMENSIONS		THIRD ANGLE PROJECTION		DRAWING		SERIES		MATERIAL NUMBER		CUSTOMER	
		A3-SIZE		87715		SEE TABLE		GENERAL MARKET		SHEET NUMBER 3 OF 4	

MOLEX P/N	CIRCUIT SIZE	HOUSING MATERIAL	HOUSING COLOR	TERMINAL MATERIAL	CONTACT PLATING	SOLDER TAIL "D" LENGTH	NOTES
87715-9100	64	NYLON46	BLACK	PHOSPHOR BRONZE	GOLD FLASH	2.54	WITHOUT MYLAR
87715-9105					15 MICROINCH	3.00	
87715-9106					30 MICROINCH	2.54	

MOLEX P/N	CIRCUIT SIZE	HOUSING MATERIAL	HOUSING COLOR	TERMINAL MATERIAL	CONTACT PLATING	SOLDER TAIL "D" LENGTH	NOTES
87715-9202	98	NYLON46	BLACK	PHOSPHOR BRONZE	15 MICROINCH	2.54	WITHOUT MYLAR
87715-9205					15 MICROINCH	3.00	
87715-9206					30 MICROINCH	2.54	

THIS DRAWING CONTAINS INFORMATION THAT IS PROPRIETARY TO MOLEX ELECTRONIC TECHNOLOGIES, LLC AND SHOULD NOT BE USED WITHOUT WRITTEN PERMISSION									
DIMENSION UNITS		SCALE		CURRENT REV DESC: REMOVED OBSOLETE PART NUMBER AS PER PCN#514494.				molex	
mm		NTS							
GENERAL TOLERANCES (UNLESS SPECIFIED)				PHASE:		PCI EXPRESS			
				CO NO:		EDGE CARD CONNECTOR (LEAD FREE VERSION)			
				DRWN: Ravindra Reddy MS		2023-11-10			
				CHK'D: Ganesh Rao B		2023-12-20			
				APPR: Gurunandan GA		2023-12-20			
				INITIAL REVISION:		PRODUCT SALES DRAWING			
				DRWN: TOM		2004/07/20		DOCUMENT NUMBER	
				APPR: WILSON		2004/07/20		SD-87715-207	
				ANGULAR TOL ± 3.0°				DOC TYPE	
				DRAFT WHERE APPLICABLE MUST REMAIN WITHIN DIMENSIONS		THIRD ANGLE PROJECTION		DOC PART	
						DRAWING		REVISION	
						A3-SIZE		001 J4	
						SERIES		SHEET NUMBER	
						87715		4 OF 4	
						MATERIAL NUMBER		CUSTOMER	
						SEE TABLE		GENERAL MARKET	