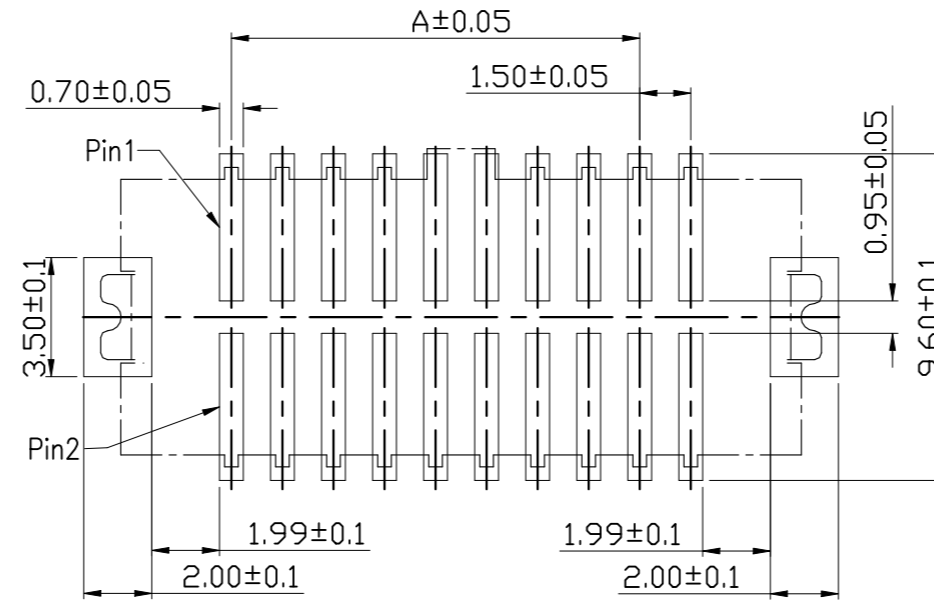
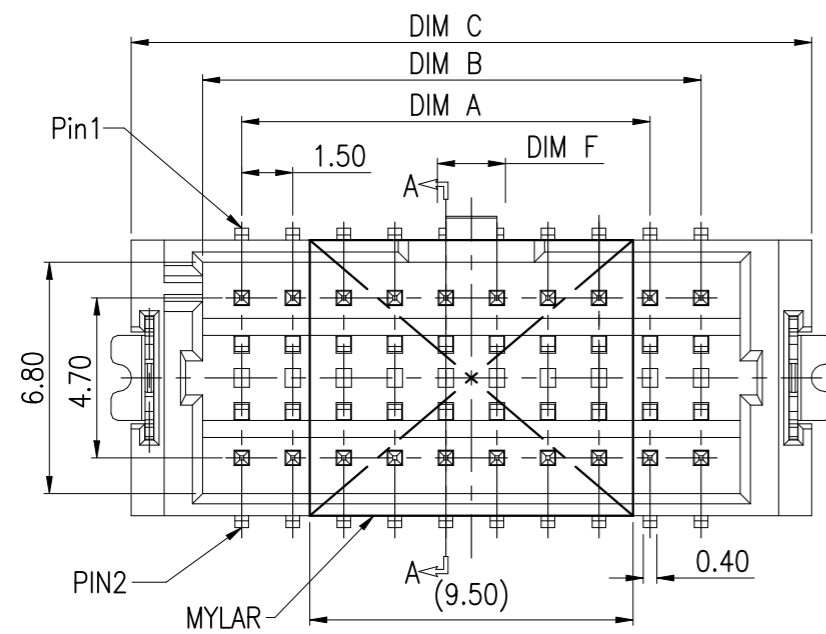
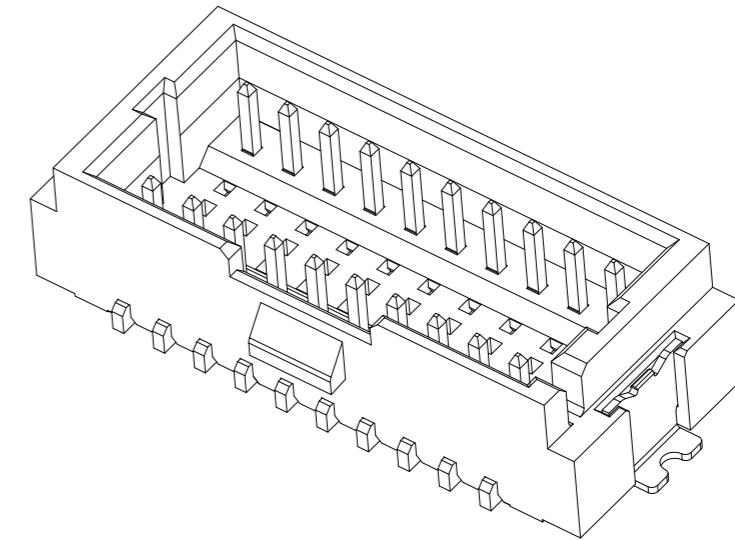
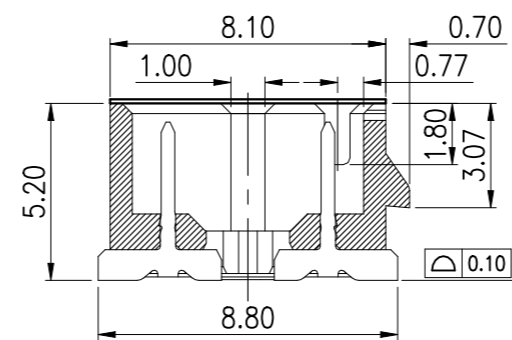
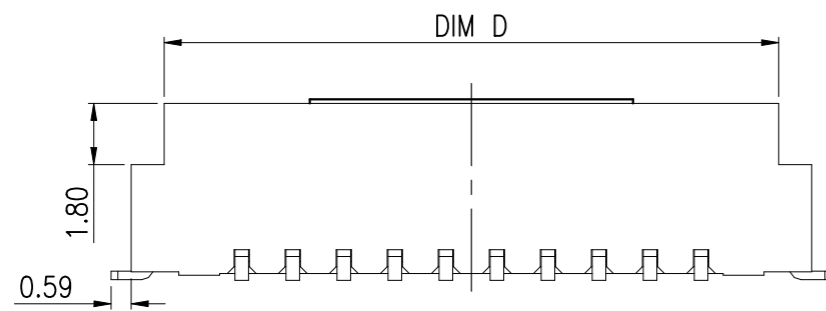


P	LTR	DESCRIPTION	DATE	DWN	APVD
	A2	AS PER ECR-23-18551	30AUG2023	SSM	WH



PCB PATTERN LAYOUT
GENERAL TOLERANCE ±0.05

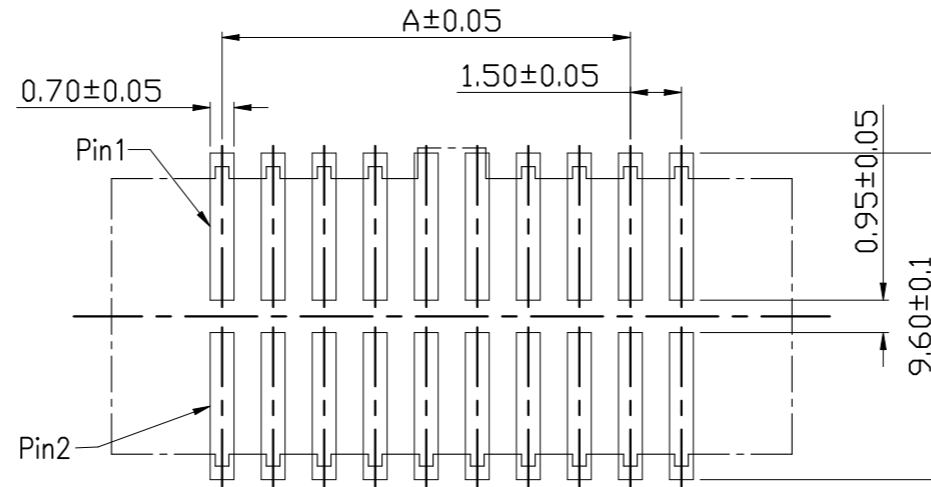
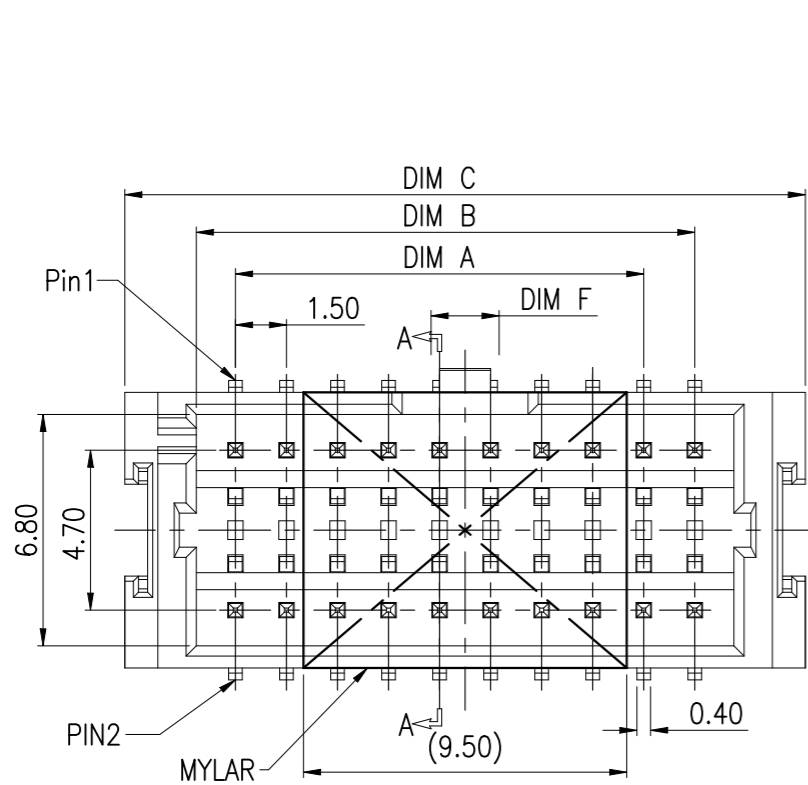
- NOTES:
- MATERIAL:
 - HOUSING: THERMOPLASTIC, HIGH TEMP.,UL94V-0. COLOR:SEE PART NUMBER
 - CONTACT: COPPER ALLOY.
 - FITTING NAIL: STAINLESS STEEL
 - FINISH:
 - CONTACT:
 - 50u" MIN NICKEL UNDERPLATING OVERALL.
 - TYPE 1: 100u" MIN MATT TIN PLATING OVERALL
 - TYPE 2: GOLD FLASH ON CONTACT AND SOLDER
 - FITTING NAIL:
 - 50u" MIN NICKEL UNDER PLATING OVERALL
 - 100u" MATT MIN TIN PLATING OVERALL
 - REFLOW SOLDER CAPABLE TO 260°C



COLOR	DIM F	DIM D	DIM C	DIM B	DIM A	Pos.No	P/N	
							TYPE 2	TYPE 1
BLACK	3.00	25.56	27.50	23.30	21.00	30	3-2394520-3	2-2394520-3
	1.50	18.06	20.00	15.80	13.50	20	3-2394520-2	2-2394520-2
NATURAL	3.00	25.56	27.50	23.30	21.00	30	1-2394520-3	2394520-3
		18.06	20.00	15.80	13.50	20	1-2394520-2	2394520-2
	1.50	10.56	12.50	8.30	6.00	10	1-2394520-1	2394520-1

THIS DRAWING IS A CONTROLLED DOCUMENT.		DWN Tommy Qian 12APR2021	TE Connectivity Ltd.			
DIMENSIONS: mm		CHK Niki Shi 12APR2021				
TOLERANCES UNLESS OTHERWISE SPECIFIED:		APVD Niki Shi 12APR2021	NAME			
0 PLC ± 0.5 1 PLC ± 0.25 2 PLC ± 0.15 3 PLC ± 0.1 4 PLC ± - ANGLES ± 2°		PRODUCT SPEC 108-115188	1.5mm PITCH WT B Conn. SMT VERTICAL TYPE DOUBLE ROW			
MATERIAL		APPLICATION SPEC	SIZE	CAGE CODE	DRAWING NO	RESTRICTED TO
NOTE 1		FINISH	—	A300779	C-2394520	—
CUSTOMER DRAWING			SCALE	SHEET	REV	
			N/A	1 OF 7	A2	

P	LTR	DESCRIPTION	DATE	DWN	APVD
-	-	SEE SHEET 1	-	-	-

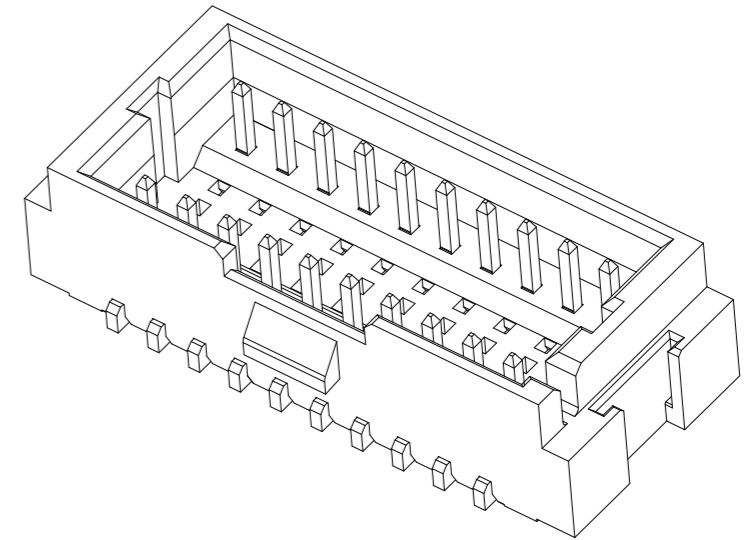
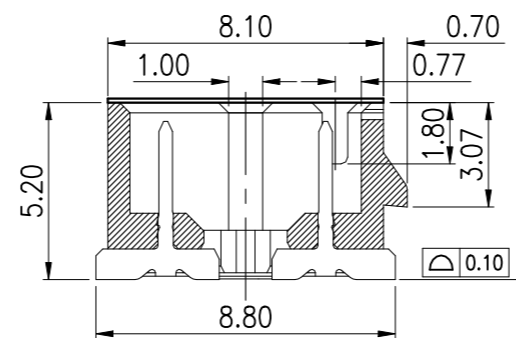
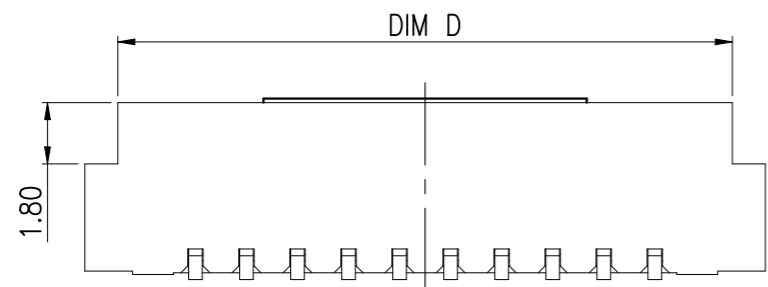


PCB PATTERN LAYOUT
GENERAL TOLERANCE ±0.05

NOTES:

- MATERIAL:
 - HOUSING: THERMOPLASTIC, HIGH TEMP.,UL94V-0. COLOR:SEE PART NUMBER
 - CONTACT: COPPER ALLOY.
- FINISH:
 - CONTACT:
 - 50u" MIN NICKEL UNDERPLATING OVERALL.
 - TYPE 1: 100u" MIN MATT TIN PLATING OVERALL
 - TYPE 2: GOLD FLASH ON CONTACT AND SOLDER

3. REFLOW SOLDER CAPABLE TO 260°C



COLOR	DIM F	DIM D	DIM C	DIM B	DIM A	Pos.No	P/N	
							TYPE 2	TYPE 1
BLACK	3.00	25.56	27.50	23.30	21.00	30	7-2394520-3	6-2394520-3
	1.50	18.06	20.00	15.80	13.50	20	7-2394520-2	6-2394520-2
NATURAL	3.00	10.56	12.50	8.30	6.00	10	7-2394520-1	6-2394520-1
	1.50	25.56	27.50	23.30	21.00	30	5-2394520-3	4-2394520-3
COLOR	3.00	18.06	20.00	15.80	13.50	20	5-2394520-2	4-2394520-2
	1.50	10.56	12.50	8.30	6.00	10	5-2394520-1	4-2394520-1

THIS DRAWING IS A CONTROLLED DOCUMENT.

DIMENSIONS:	TOLERANCES UNLESS OTHERWISE SPECIFIED:
mm	
	0 PLC ± 0.5
	1 PLC ± 0.25
	2 PLC ± 0.15
	3 PLC ± 0.1
	4 PLC ± -
	ANGLES ± 2°

MATERIAL NOTE 1 FINISH -

DWN	12APR2021	Tommy Qian
CHK	12APR2021	Niki Shi
APVD	12APR2021	Niki Shi
PRODUCT SPEC		
APPLICATION SPEC		
WEIGHT		

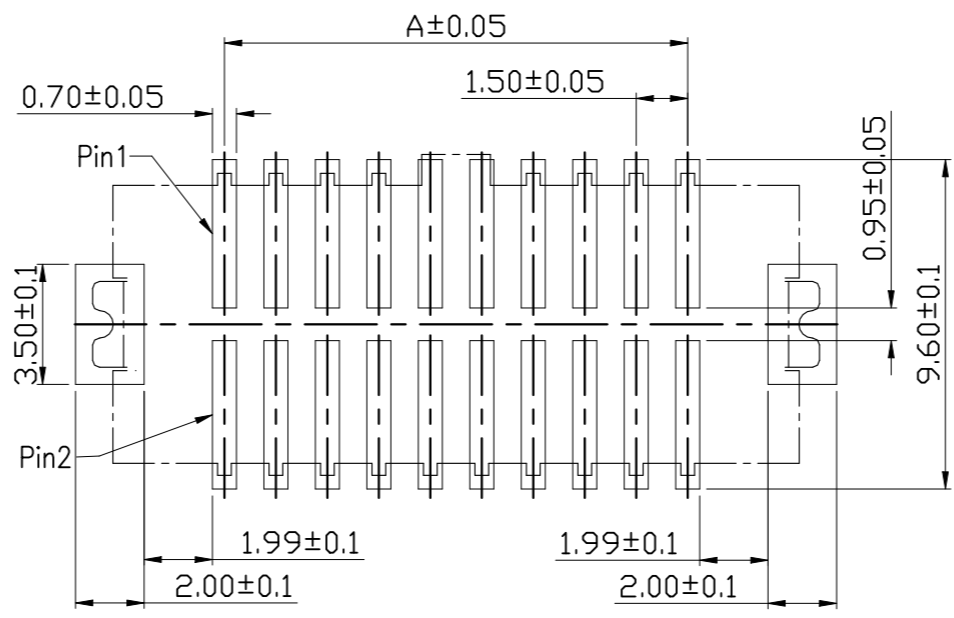
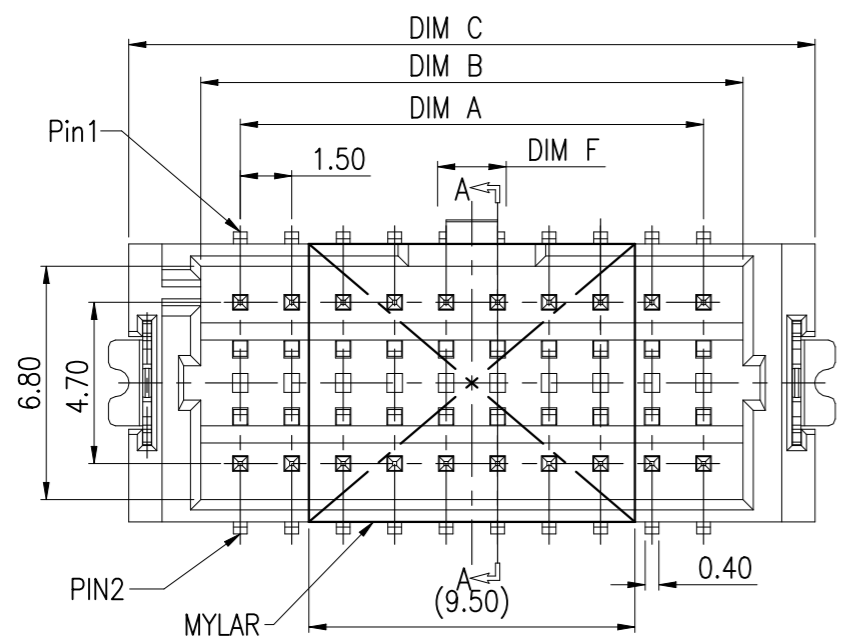


1.5mm PITCH WT B Conn.
SMT VERTICAL TYPE DOUBLE ROW

SIZE	CAGE CODE	DRAWING NO	RESTRICTED TO
A3	00779	C-2394520	-

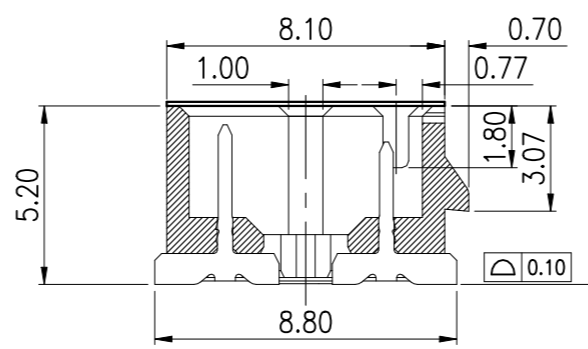
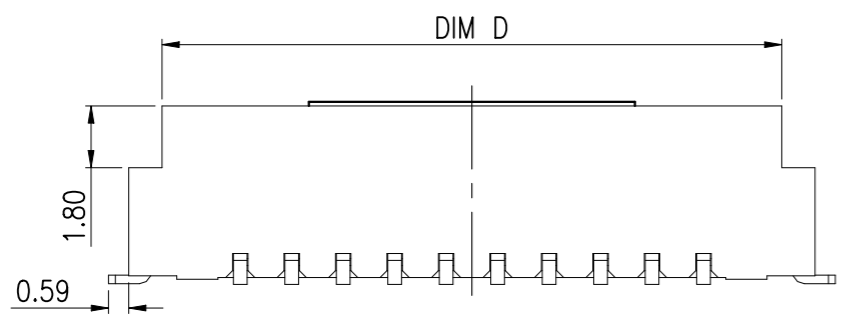
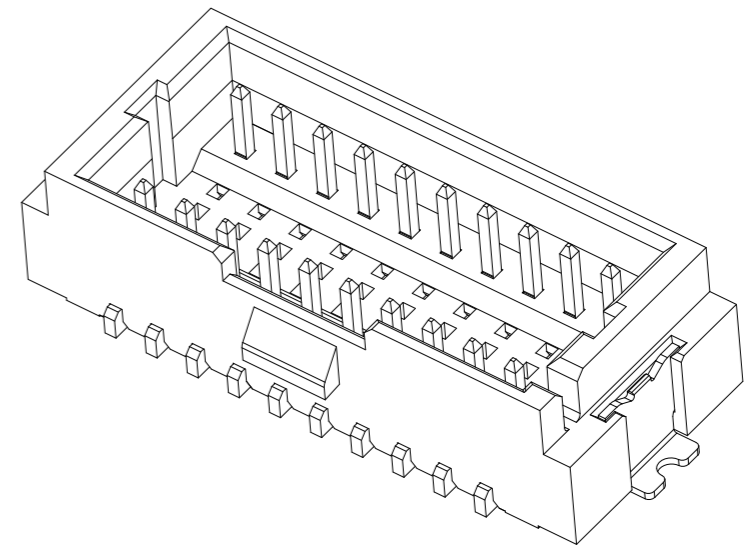
CUSTOMER DRAWING SCALE N/A SHEET 2 OF 7 REV A2

REVISIONS					
P	LTR	DESCRIPTION	DATE	DWN	APVD
-	-	SEE SHEET 1	-	-	-



PCB PATTERN LAYOUT
GENERAL TOLERANCE ±0.05

- NOTES:
- MATERIAL:
 - HOUSING: HALOGEN FREE THERMOPLASTIC, HIGH TEMP.UL94V-0; COLOR:NATURAL.
 - CONTACT: COPPER ALLOY
 - FITTING NAIL: STAINLESS STEEL
 - FINISH:
 - CONTACT & SOLDER:
 - 50μ" MIN NICKEL UNDER PLATING OVERALL
 - TYPE 1: 100μ" MIN MATT TIN PLATING OVERALL
 - TYPE 2: GOLD FLASH ON CONTACT AND SOLDER
 - FITTING NAIL:
 - 50μ" MIN NICKEL UNDER PLATING OVERALL
 - 100μ" MIN MATT TIN PLATING OVERALL
 - REFLOW SOLDER CAPABLE TO 260°C PER

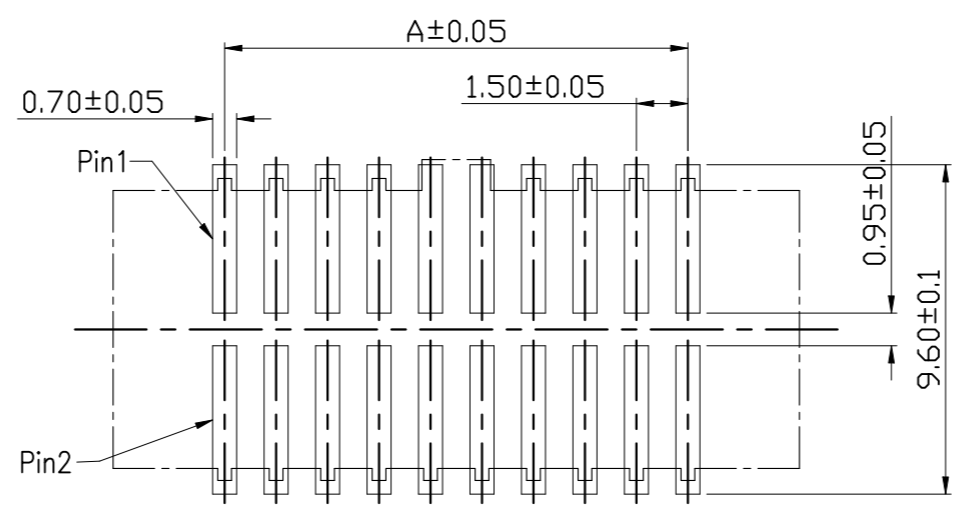
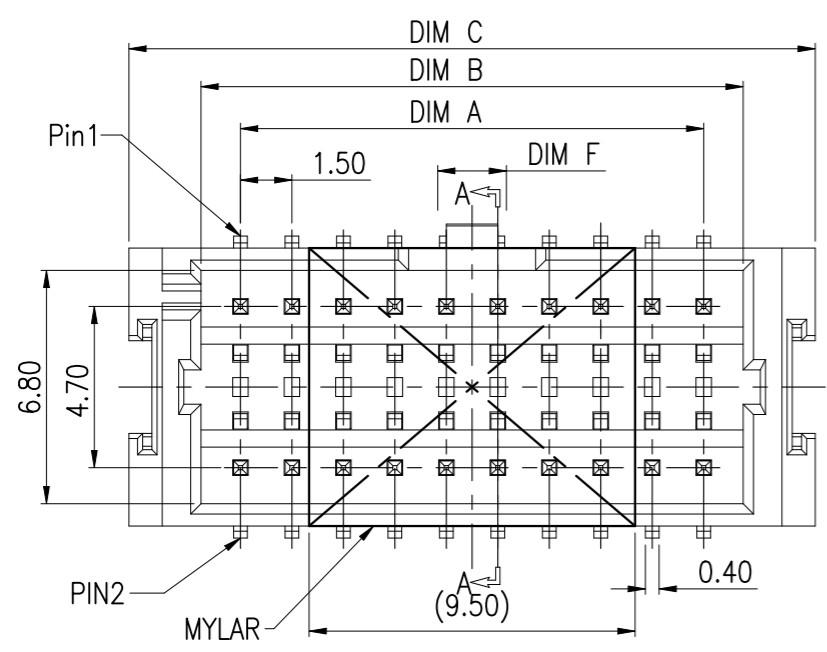


SECTION A-A
SCALE 1:1

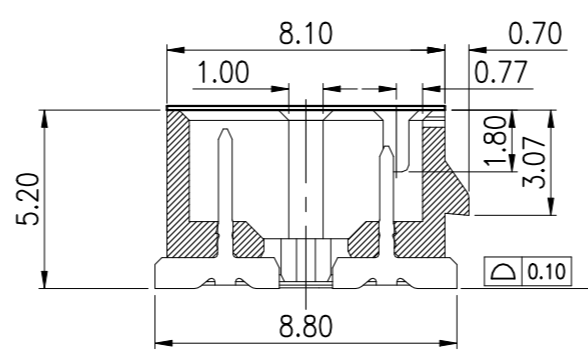
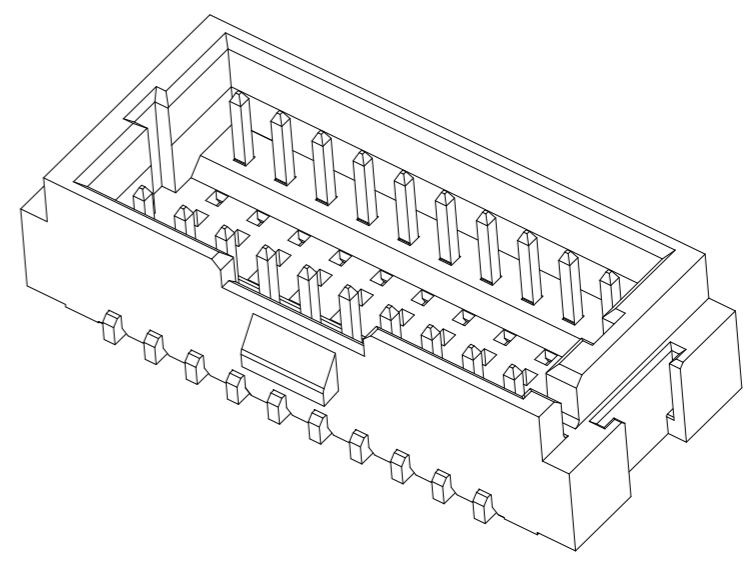
COLOR	DIM F	DIM D	DIM C	DIM B	DIM A	Pos.No	P/N	
BLACK	3.00	33.06	35.00	30.80	28.50	40	3-2394520-4	2-2394520-4
NATURAL	3.00	33.06	35.00	30.80	28.50	40	1-2394520-4	2394520-4
							TYPE 2	TYPE 1

THIS DRAWING IS A CONTROLLED DOCUMENT.		DWN Tommy Qian 12APR2021	TE Connectivity Ltd.													
DIMENSIONS: mm		CHK Niki Shi 12APR2021														
TOLERANCES UNLESS OTHERWISE SPECIFIED:		APVD Niki Shi 12APR2021	NAME													
<table border="0"> <tr><td>0 PLC</td><td>± 0.5</td></tr> <tr><td>1 PLC</td><td>± 0.25</td></tr> <tr><td>2 PLC</td><td>± 0.15</td></tr> <tr><td>3 PLC</td><td>± 0.1</td></tr> <tr><td>4 PLC</td><td>± -</td></tr> <tr><td>ANGLES</td><td>± 2°</td></tr> </table>		0 PLC	± 0.5	1 PLC	± 0.25	2 PLC	± 0.15	3 PLC	± 0.1	4 PLC	± -	ANGLES	± 2°	PRODUCT SPEC	1.5mm PITCH WT B Conn. SMT VERTICAL TYPE DOUBLE ROW	
0 PLC	± 0.5															
1 PLC	± 0.25															
2 PLC	± 0.15															
3 PLC	± 0.1															
4 PLC	± -															
ANGLES	± 2°															
MATERIAL		APPLICATION SPEC	SIZE	RESTRICTED TO												
-		FINISH	CAGE CODE	-												
-		WEIGHT	DRAWING NO	-												
-		A3 00779 C-2394520		-												
-		CUSTOMER DRAWING		SCALE N/A SHEET 3 of 7 REV A2												

REVISIONS					
P	LTR	DESCRIPTION	DATE	DWN	APVD
-	-	SEE SHEET 1	-	-	-



- NOTES:
- MATERIAL:
 - HOUSING: HALOGEN FREE THERMOPLASTIC, HIGH TEMP.UL94V-0; COLOR:NATURAL.
 - CONTACT: COPPER ALLOY
 - FINISH:
 - CONTACT & SOLDER: 50µ" MIN NICKEL UNDER PLATING OVERALL
 - TYPE 1: 100µ" MIN MATT TIN PLATING OVERALL
 - TYPE 2: GOLD FLASH ON CONTACT AND SOLDER
 - REFLOW SOLDER CAPABLE TO 260°C PER

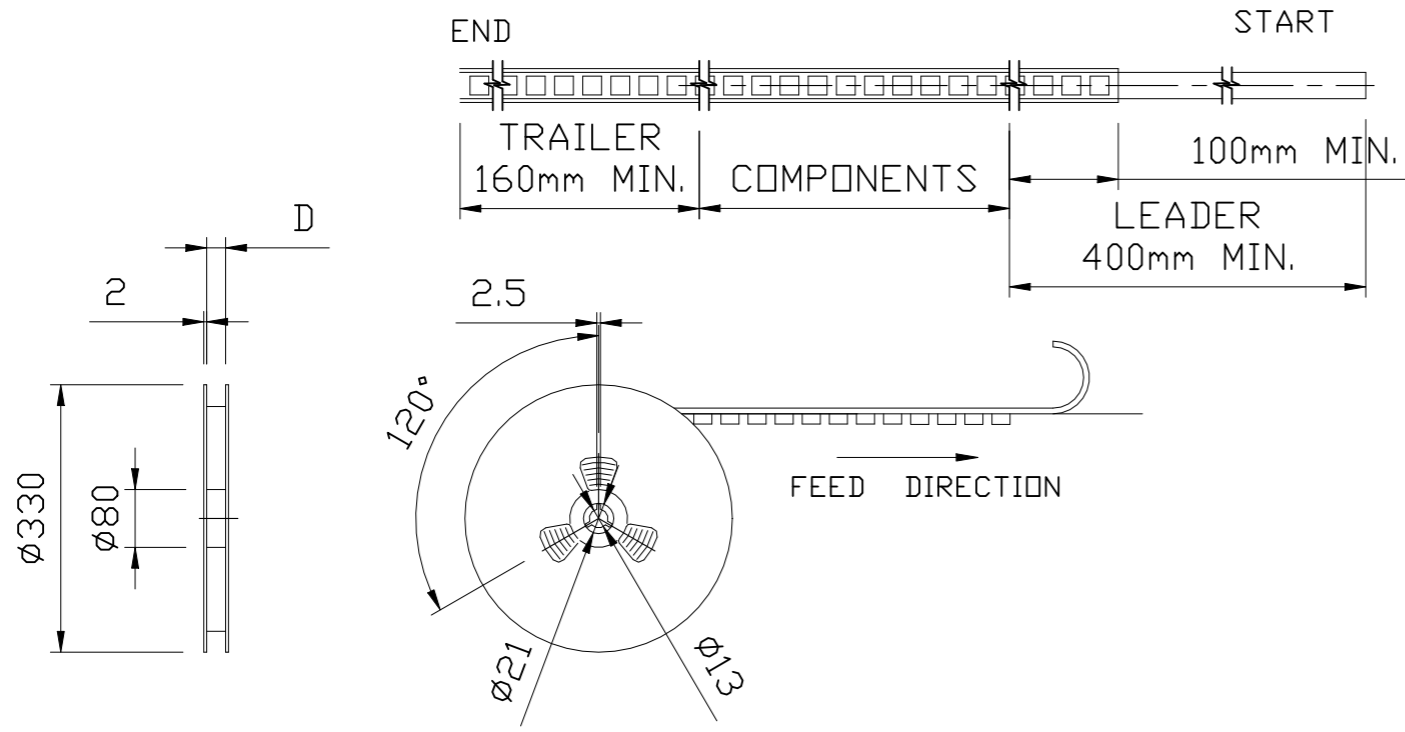


SECTION A-A
SCALE 1:1

BLACK	3.00	33.06	35.00	30.80	28.50	40	7-2394520-4	6-2394520-4
NATURAL	3.00	33.06	35.00	30.80	28.50	40	5-2394520-4	4-2394520-4
COLOR	DIM F	DIM D	DIM C	DIM B	DIM A	Pos.No	TYPE 2	TYPE 1
							P/N	

THIS DRAWING IS A CONTROLLED DOCUMENT.		DWN Tommy Qian 12APR2021	TE Connectivity Ltd. 1.5mm PITCH WTB Conn. SMT VERTICAL TYPE DOUBLE ROW											
DIMENSIONS: mm		CHK Niki Shi 12APR2021												
TOLERANCES UNLESS OTHERWISE SPECIFIED:		APVD Niki Shi 12APR2021												
<table border="1"> <tr><td>0 PLC</td><td>± 0.5</td></tr> <tr><td>1 PLC</td><td>± 0.25</td></tr> <tr><td>2 PLC</td><td>± 0.15</td></tr> <tr><td>3 PLC</td><td>± 0.1</td></tr> <tr><td>4 PLC</td><td>± -</td></tr> <tr><td>ANGLES</td><td>± 2°</td></tr> </table>		0 PLC				± 0.5	1 PLC	± 0.25	2 PLC	± 0.15	3 PLC	± 0.1	4 PLC	± -
0 PLC	± 0.5													
1 PLC	± 0.25													
2 PLC	± 0.15													
3 PLC	± 0.1													
4 PLC	± -													
ANGLES	± 2°													
MATERIAL		PRODUCT SPEC	SIZE	CAGE CODE	DRAWING NO	RESTRICTED TO								
-		FINISH	A3 00779 C-2394520		-	-								
CUSTOMER DRAWING			SCALE	SHEET	REV									
			N/A	4 of 7	A2									

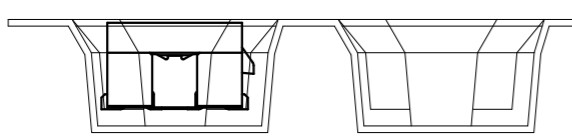
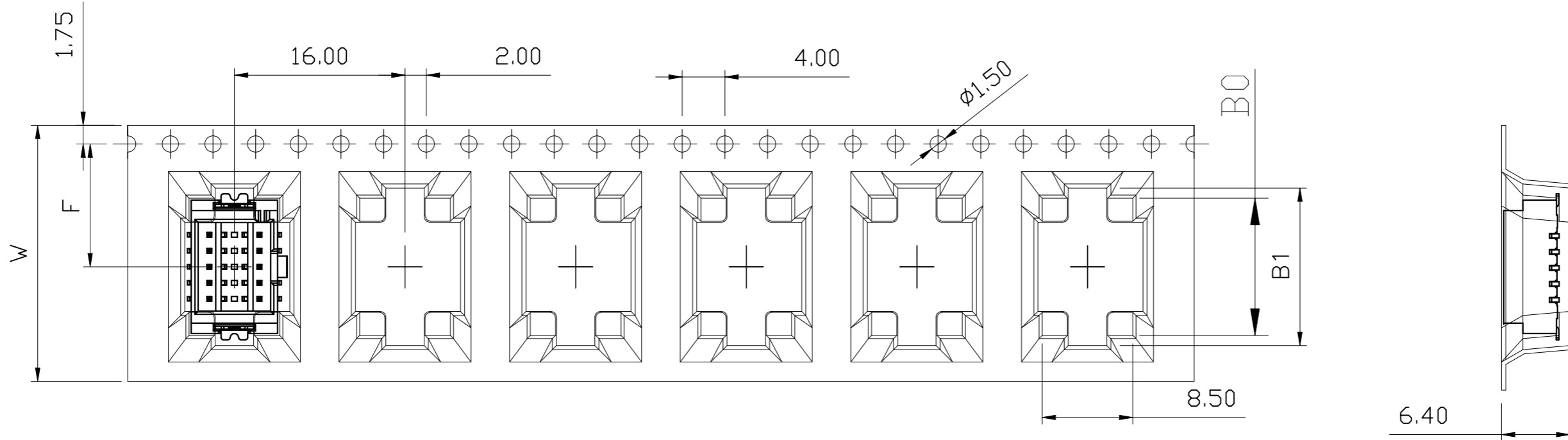
P	LTR	DESCRIPTION	DATE	DWN	APVD
-	-	SEE SHEET 1	-	-	-



NOTES:

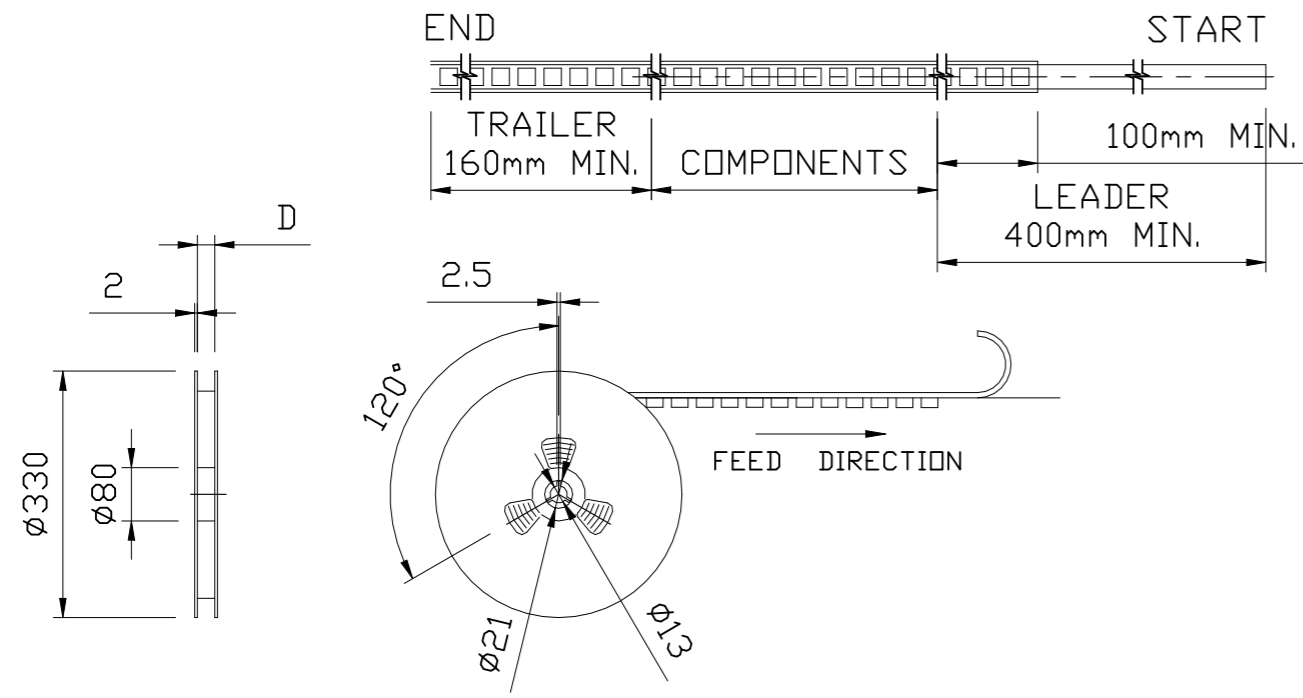
- 10 SPROCKET HOLE PITCH CUMULATIVE TOLERANCE: ±0.20mm
- CARRIER CAMBER NOT TO EXCEED 1mm IN 250mm.
- ALL DIMENSIONS MEET EIA-481 REQUIREMENTS.
- MATERIAL: BLACK ANTI-STATIC POLYSTYRENE.
- THICKNESS: 0.40 ± 0.05 mm.
- PACKING LENGTH PER 13" REEL : 10.56 METERS.
- COMPONENT LOAD PER 13" REEL : 600 PCS.

14.76	12.86	24.40	24.00	11.50	10P	*-2394520-1
DIM B1	DIM B0	DIM D	DIM W	DIM F	POS	PART NUMBER



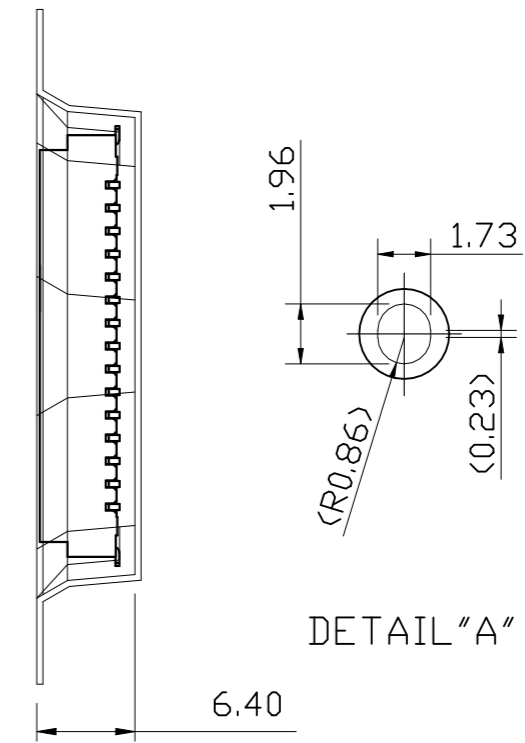
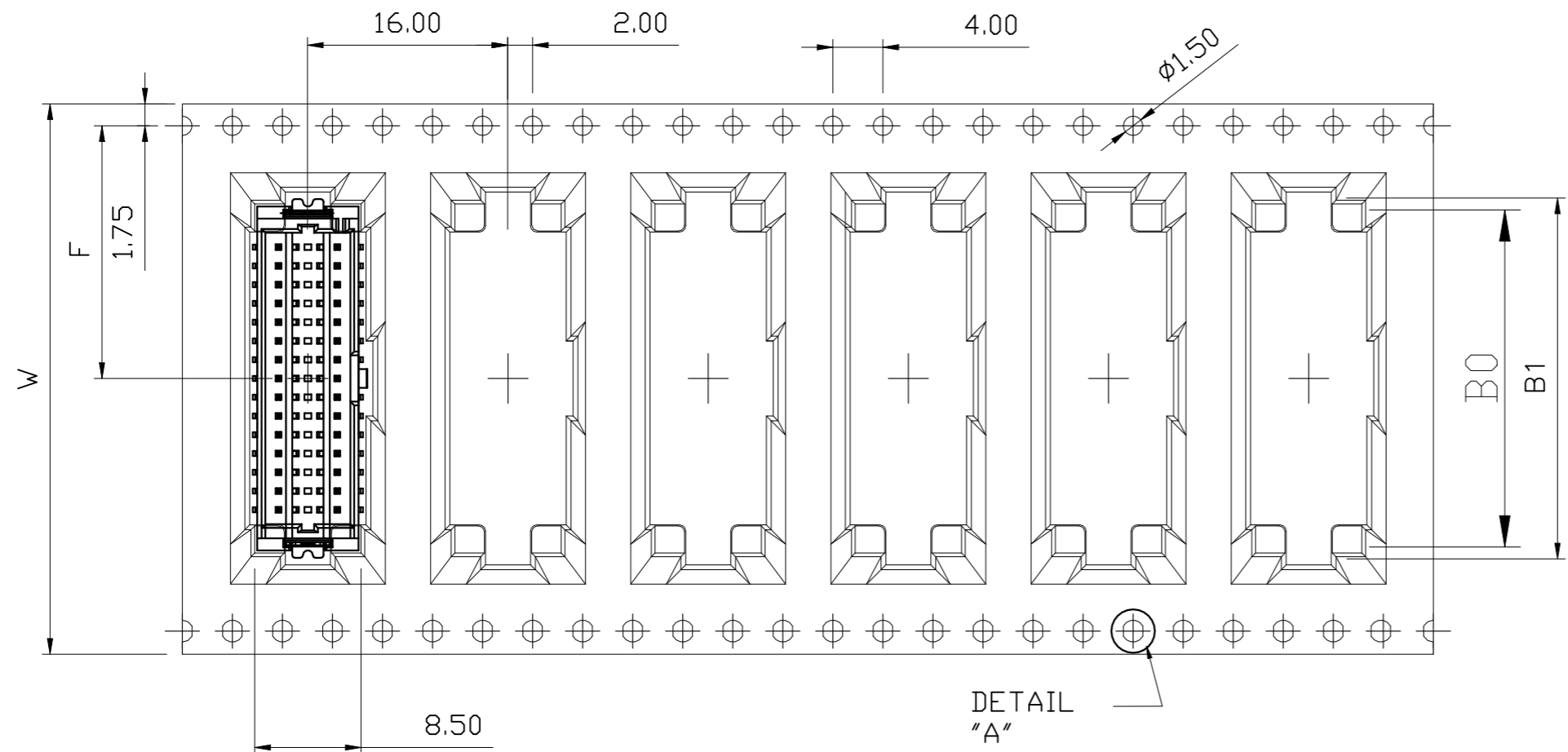
THIS DRAWING IS A CONTROLLED DOCUMENT.		DWN Tommy Qian 12APR2021	TE Connectivity Ltd.														
DIMENSIONS: mm		CHK Niki Shi 12APR2021															
TOLERANCES UNLESS OTHERWISE SPECIFIED:		APVD Niki Shi 12APR2021	NAME 1.5mm PITCH WT B Conn. SMT VERTICAL TYPE DOUBLE ROW														
<table border="1"> <tbody> <tr> <td>0 PLC</td> <td>± 0.5</td> </tr> <tr> <td>1 PLC</td> <td>± 0.25</td> </tr> <tr> <td>2 PLC</td> <td>± 0.15</td> </tr> <tr> <td>3 PLC</td> <td>± 0.1</td> </tr> <tr> <td>4 PLC</td> <td>± -</td> </tr> <tr> <td>ANGLES</td> <td>± 2'</td> </tr> </tbody> </table>		0 PLC	± 0.5	1 PLC	± 0.25	2 PLC	± 0.15	3 PLC	± 0.1	4 PLC	± -	ANGLES	± 2'	PRODUCT SPEC -	APPLICATION SPEC -		
0 PLC	± 0.5																
1 PLC	± 0.25																
2 PLC	± 0.15																
3 PLC	± 0.1																
4 PLC	± -																
ANGLES	± 2'																
MATERIAL -		FINISH -	WEIGHT -	SIZE A3	CAGE CODE 00779	DRAWING NO C-2394520	RESTRICTED TO -										
CUSTOMER DRAWING			SCALE N/A	SHEET 5 of 7	REV A2												

P	LTR	DESCRIPTION	DATE	DWN	APVD
-	-	SEE SHEET 1	-	-	-



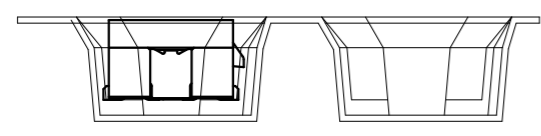
- NOTES:
- 10 SPROCKET HOLE PITCH CUMULATIVE TOLERANCE: ±0.20mm
 - CARRIER CAMBER NOT TO EXCEED 1mm IN 250mm.
 - ALL DIMENSIONS MEET EIA-481 REQUIREMENTS.
 - MATERIAL: BLACK ANTI-STATIC POLYSTYRENE.
 - THICKNESS: 0.40 ± 0.05 mm.
 - PACKING LENGTH PER 13" REEL : 10.56 METERS.
 - COMPONENT LOAD PER 13" REEL : 600 PCS.

37.36	35.46	56.40	56.00	26.20	40P	*-2394520-4
29.81	27.91	44.40	44.00	20.20	30P	*-2394520-3
22.26	20.36	44.40	44.00	20.20	20P	*-2394520-2
DIM B1	DIM B0	DIM D	DIM W	DIM F	POS.	PART NUMBER



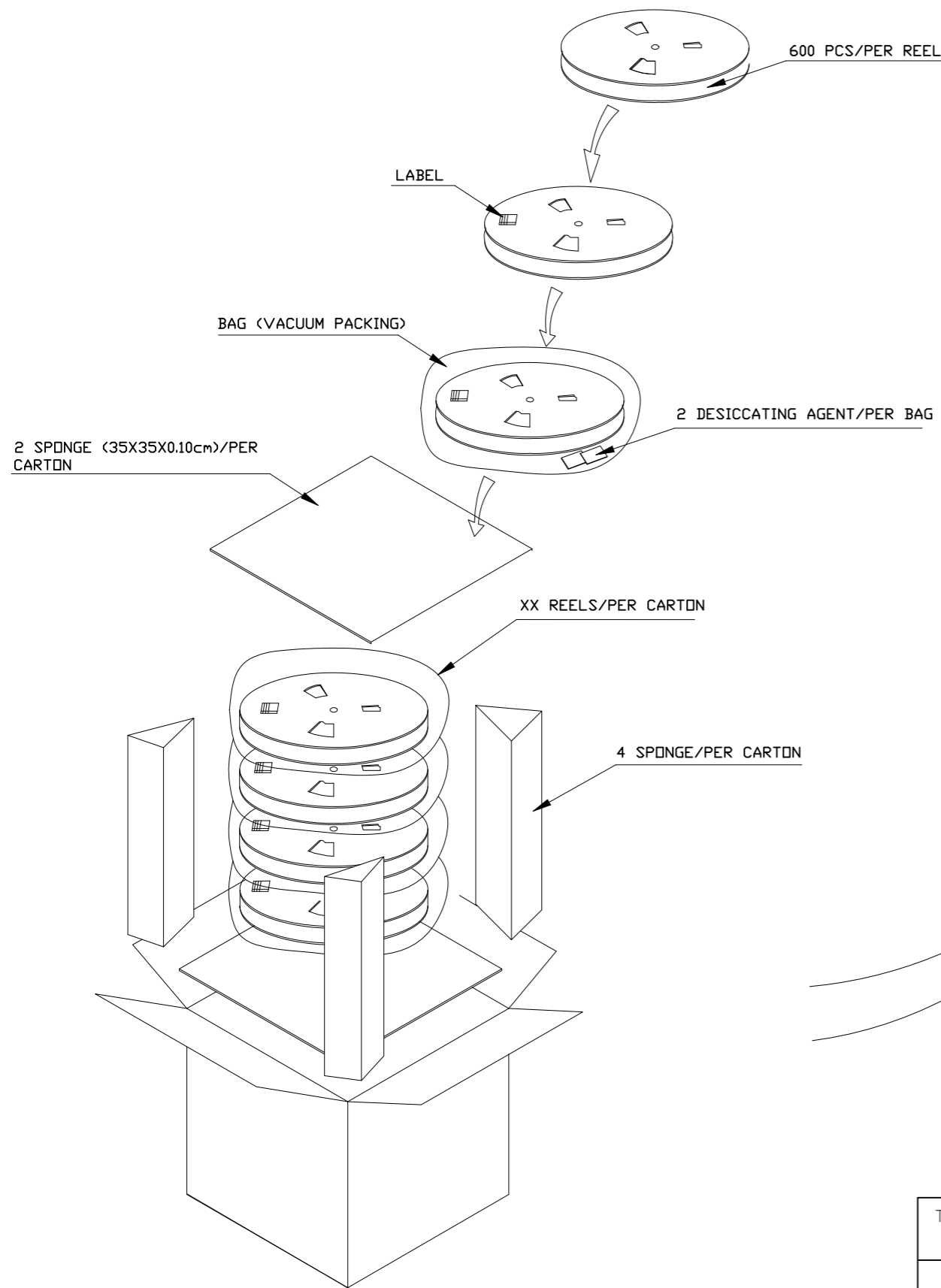
DETAIL "A"

THIS DRAWING IS A CONTROLLED DOCUMENT.		DWN Tommy Qian 12APR2021	TE Connectivity Ltd.		
DIMENSIONS: mm		CHK Niki Shi 12APR2021			
TOLERANCES UNLESS OTHERWISE SPECIFIED:		APVD Niki Shi 12APR2021	NAME		
0 PLC ± 0.5		PRODUCT SPEC	1.5mm PITCH WTB Conn. SMT VERTICAL TYPE DOUBLE ROW		
1 PLC ± 0.25		APPLICATION SPEC	-		
2 PLC ± 0.15		WEIGHT	SIZE A3	CAGE CODE 00779	DRAWING NO C-2394520
3 PLC ± 0.1		MATERIAL -	RESTRICTED TO		-
4 PLC ± -			SCALE N/A		SHEET 6 OF 7
ANGLES ± 2°		CUSTOMER DRAWING		REV A2	
FINISH -					



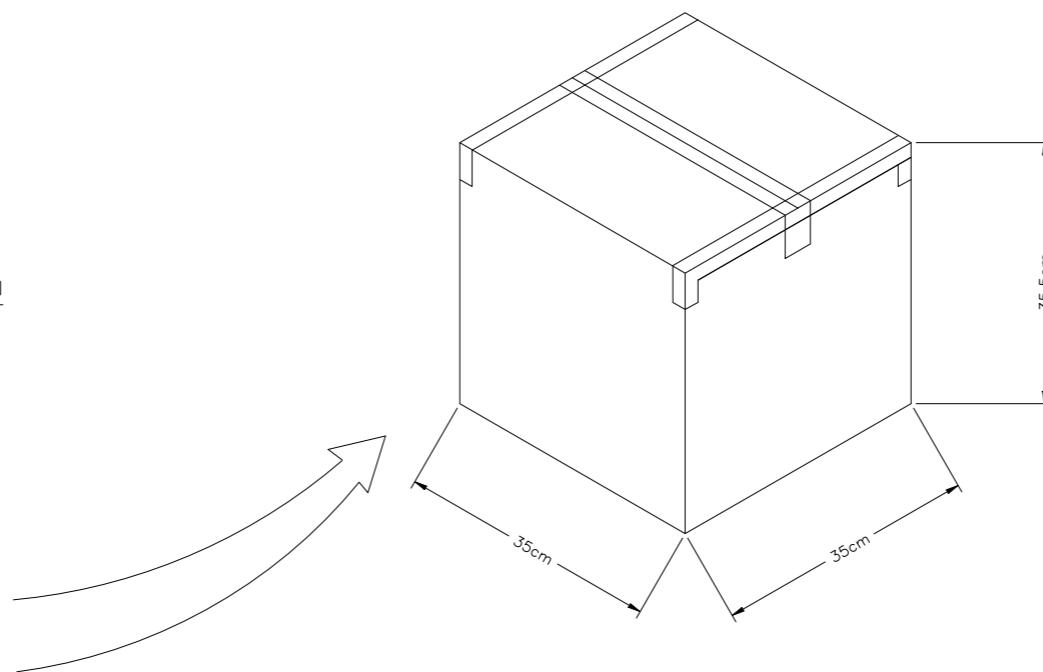
REVISIONS

P	LTR	DESCRIPTION	DATE	DWN	APVD
-	-	SEE SHEET 1	-	-	-



NOTE:

1. STAPLES SHOULD ONLY BE USED TO SET UP CARTON
ALL CARTONS CLOSURES MUST BE DONE WITH TAPE.
2. FILL PACKAGING REEL WITH THE QUANTITIES AS INDICATED



3000(PCS)	600(PCS)	5	40P	*-2394520-4
4200(PCS)	600(PCS)	7	30P	*-2394520-3
4200(PCS)	600(PCS)	7	20P	*-2394520-2
6600(PCS)	600(PCS)	11	10P	*-2394520-1
PARTS PER CARTON	PARTS PER REEL	REELS PER CARTON	POS.	PART NUMBER

THIS DRAWING IS A CONTROLLED DOCUMENT.		DWN Tommy Qian 12APR2021	STE TE Connectivity Ltd.		
DIMENSIONS: mm		CHK Niki Shi 12APR2021			
TOLERANCES UNLESS OTHERWISE SPECIFIED:		APVD Niki Shi 12APR2021	NAME 1.5mm PITCH WTB Conn. SMT VERTICAL TYPE DOUBLE ROW		
0 PLC ± 0.5		PRODUCT SPEC	-		
1 PLC ± 0.25		APPLICATION SPEC	-		
2 PLC ± 0.15		WEIGHT	SIZE A3	CAGE CODE 00779	DRAWING NO C-2394520
3 PLC ± 0.1		MATERIAL	RESTRICTED TO		
4 PLC ± -		FINISH	-		
ANGLES ± 2°		CUSTOMER DRAWING	SCALE N/A	SHEET 7 OF 7	REV A2