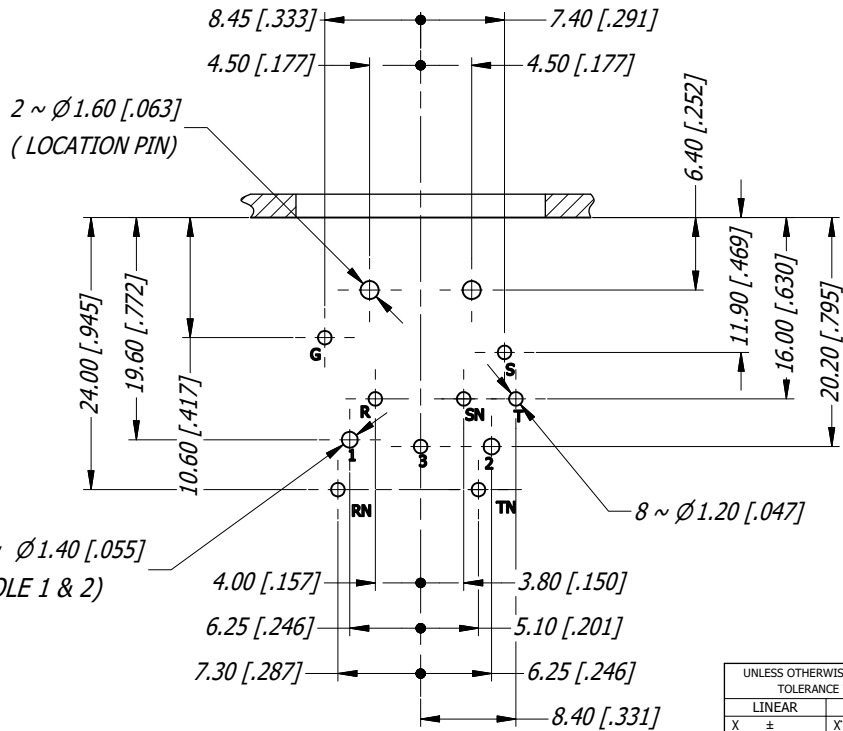
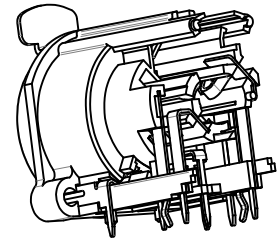
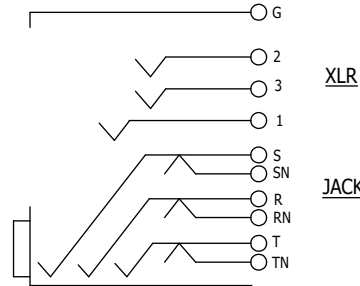


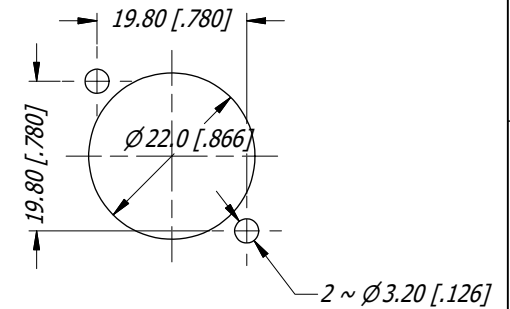
MIN MOUNTING PITCH



PCB LAYOUT
SCALE 3:2



CONTACT SCHEMATIC DIAGRAM



PANEL CUT OUT

UNLESS OTHERWISE SPECIFIED
TOLERANCE TO BE

LINEAR	ANGULAR
X ±	X' ±1
X.X ±	X.X' ± 30'
X.XX ±	X.XX" ± 15'

BREAK ALL SHARP EDGES
AND REMOVE ALL BURRS

DO NOT SCALE

DIMENSIONS IN MILLIMETRES

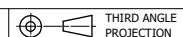
THIS DOCUMENT IS THE PROPERTY OF AMPHENOL AUSTRALIA PTY. LTD.
NO PART THEREOF MAY BE REPRODUCED AND USED
WITHOUT THE PRIOR WRITTEN CONSENT OF THE OWNER.

MATERIAL:
REFER COMPONENTS

FINISH:

DRN: T.N DATE: 29/02/12
CKD: P.M DATE: 29/02/12

APP'D: P.M DATE: 29/02/12



SCALE: **1:1** SIZE: **A4**

Amphenol

Amphenol Australia Pty.Ltd,
22 Industry Blvd Carrum Downs, VIC 3201

TITLE:
**C TYPE LOW PROFILE
9 CONTACTS HORZ
CUSTOMER DWG**

PART No: ACJC9AH	REV 2
DRAWING No. 55010807-000	SHEET 4/20