

PLC-V8/FLK14/OUT/M - System connection



2304102

<https://www.phoenixcontact.com/us/products/2304102>

Please be informed that the data shown in this PDF document is generated from our online catalog. Please find the complete data in the user documentation. Our general terms of use for downloads are valid.



V8 adapter for 8 x PLC-INTERFACE (6.2 mm), controller: PLC system cabling of output cards, connection 1: IDC/FLK pin strip 1x 14-position, connection 2: Plug-in connection (Can be snapped onto 8x PLC-INTERFACE terminals), connection 3: Screw connection 1x 2-position, number of channels: 8, control logic: minusschaltend

Commercial data

Item number	2304102
Packing unit	1 pc
Minimum order quantity	1 pc
Sales key	C421
Product key	CK21D1
Catalog page	Page 427 (C-5-2019)
GTIN	4017918924430
Weight per piece (including packing)	106.2 g
Weight per piece (excluding packing)	100 g
Customs tariff number	85369010
Country of origin	DE

PLC-V8/FLK14/OUT/M - System connection



2304102

<https://www.phoenixcontact.com/us/products/2304102>

Technical data

Product properties

Product type	Interface module
Product family	PLC-INTERFACE
Number of positions	14
No. of channels	8

Insulation characteristics

Insulation	Functional insulation
------------	-----------------------

Insulation characteristics: Air clearances and creepage distances

Insulation	Functional insulation
Overvoltage category	II
Pollution degree	2

Electrical properties

Operating voltage range	18 V DC ... 33.6 V DC
Current (per branch)	≤ 1 A
Current (Power supply)	≤ 3 A

Air clearances and creepage distances

Rated insulation voltage	50 V
Rated surge voltage	0.5 kV (1.2/50 μs)

Supported controller SIEMENS S7-1500

Suitable I/O card	6ES7522-1BP50-0AA0
	6ES7523-1BP50-0AA0 (DQ32)

Supported controller ABB S800 I/O

Suitable I/O card	DO814
	DO818

Supported controller YOKOGAWA CS3000 CentumVP

Suitable I/O card	ADV551
	ADV561

Supported controller YOKOGAWA STARDOM

Suitable I/O card	NFDV551
	NFDV561

Supported controller MITSUBISHI MELSEC Q

Suitable I/O card	QX41
	QX41-S1
	QX42
	QX42-S1
	QH42P

PLC-V8/FLK14/OUT/M - System connection



2304102

<https://www.phoenixcontact.com/us/products/2304102>

Supported controller MITSUBISHI MELSEC L

Suitable I/O card	LX41C4
	LX42C4

Connection data

Connection 1 (control level)

Connection in acc. with standard	IEC 60603-13
Connection method	IDC/FLK pin strip
Number of connections	1
Number of positions	14
Insertion/withdrawal cycles	> 50
Pitch	2.54 mm

Connection 2 (field level)

Connection method	Plug-in connection
Note	Can be snapped onto 8x PLC-INTERFACE terminals

Connection 3 (supply)

Connection method	Screw connection
Stripping length	8 mm
Screw thread	M3
Number of connections	1
Number of positions	2
Conductor cross section rigid	0.2 mm ² ... 4 mm ²
Conductor cross-section rigid (2 conductors with same cross section)	0.2 mm ² ... 1.5 mm ²
Conductor cross section flexible	0.2 mm ² ... 2.5 mm ²
	0.25 mm ² ... 2.5 mm ² (Ferrule without plastic sleeve)
	0.25 mm ² ... 2.5 mm ² (Ferrule with plastic sleeve)
Conductor cross section flexible (2 conductors with same cross section)	0.2 mm ² ... 1.5 mm ²
	0.25 mm ² ... 0.75 mm ² (Ferrule without plastic sleeve)
	0.5 mm ² ... 1.5 mm ² (TWIN ferrule with plastic sleeve)
Conductor cross section AWG	24 ... 12
Tightening torque	0.5 Nm ... 0.6 Nm
Pitch	5 mm

Signaling

Status display present	Yes
Operating voltage display	Green LED

Dimensions

Item dimensions

Width	49.93 mm
Height	41 mm

PLC-V8/FLK14/OUT/M - System connection



2304102

<https://www.phoenixcontact.com/us/products/2304102>

Depth	55.8 mm
-------	---------

Material specifications

Color	gray (RAL 7042)
Flammability rating according to UL 94	V0
Housing insulation material	Polyamide PA non-reinforced

Environmental and real-life conditions

Ambient conditions

Degree of protection (Module)	IP20
Degree of protection (Installation location)	≥ IP54
Ambient temperature (operation)	-40 °C ... 70 °C
Ambient temperature (storage/transport)	-40 °C ... 70 °C
Altitude	≤ 2000 m

Approvals

CE

Certificate	CE-compliant
-------------	--------------

UKCA

Certificate	UKCA-compliant
-------------	----------------

UL, USA/Canada

Identification	Class I, Div. 2, Groups A, B, C, D T4
----------------	---------------------------------------

UL, Canada

Identification	Class I, Zone 2, Ex ec IIC Gc T4 X
----------------	------------------------------------

UL, USA

Identification	Class I, Zone 2, AEx ec IIC T4
----------------	--------------------------------

Shipbuilding approval

Certificate	TAE0000196
-------------	------------

DNV GL data

Temperature	D
Humidity	A
Vibration	C
EMC	B
Enclosure	Required protection according to the Rules shall be provided upon installation on board

EMC data

Low Voltage Directive	Conformance with Low Voltage Directive
Electromagnetic compatibility	Conformance with EMC directive

Standards and regulations

PLC-V8/FLK14/OUT/M - System connection



2304102

<https://www.phoenixcontact.com/us/products/2304102>

Air clearances and creepage distances

Standards/regulations	EN IEC 60664-1
-----------------------	----------------

Mounting

Mounting type	Plug-on assembly
Assembly note	in rows with zero spacing
Mounting position	any

Notes

Notes on operation	For proper use, the specifications of the installation directive (see Downloads) must be observed. For applications or use with third-party products, the specifications, and the safety and warning instructions of the respective third-party manufacturer must also be met.
--------------------	--

PLC-V8/FLK14/OUT/M - System connection

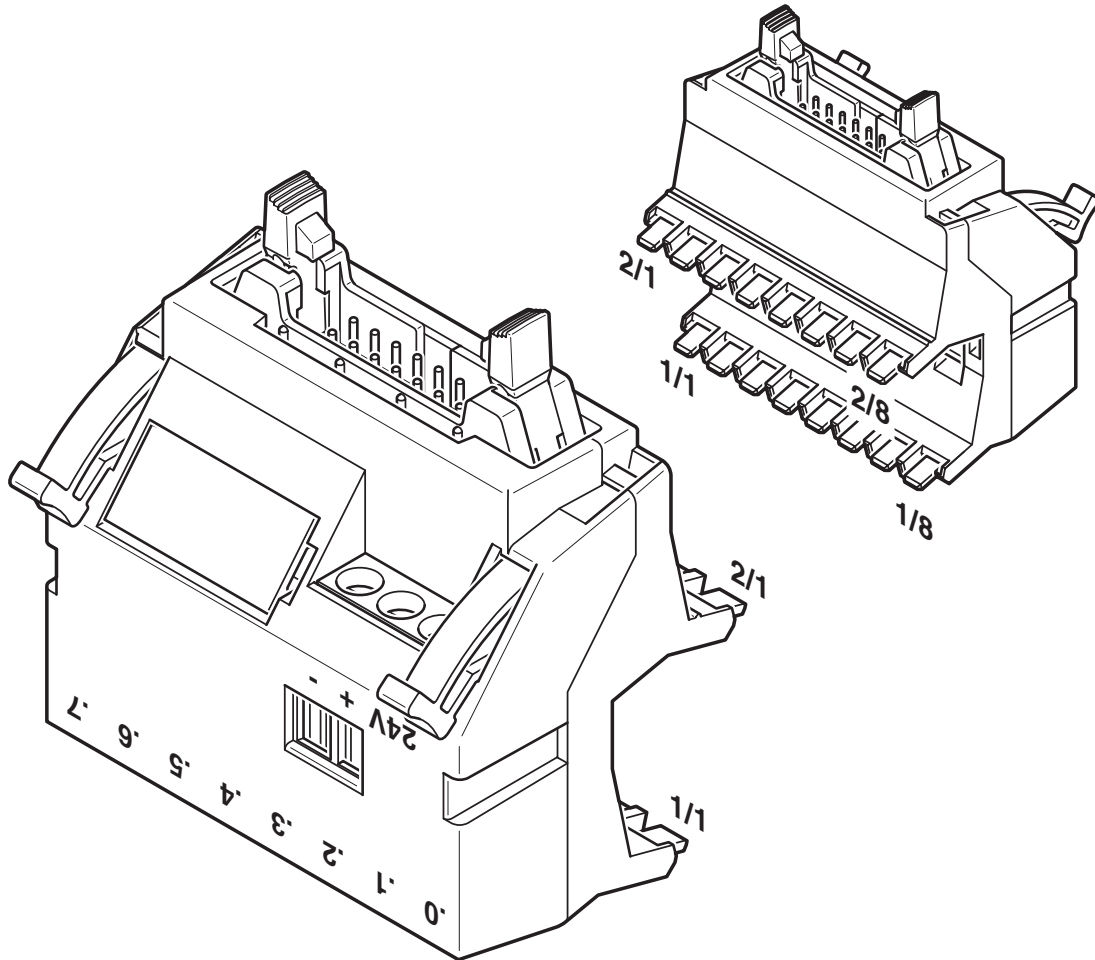


2304102

<https://www.phoenixcontact.com/us/products/2304102>

Drawings

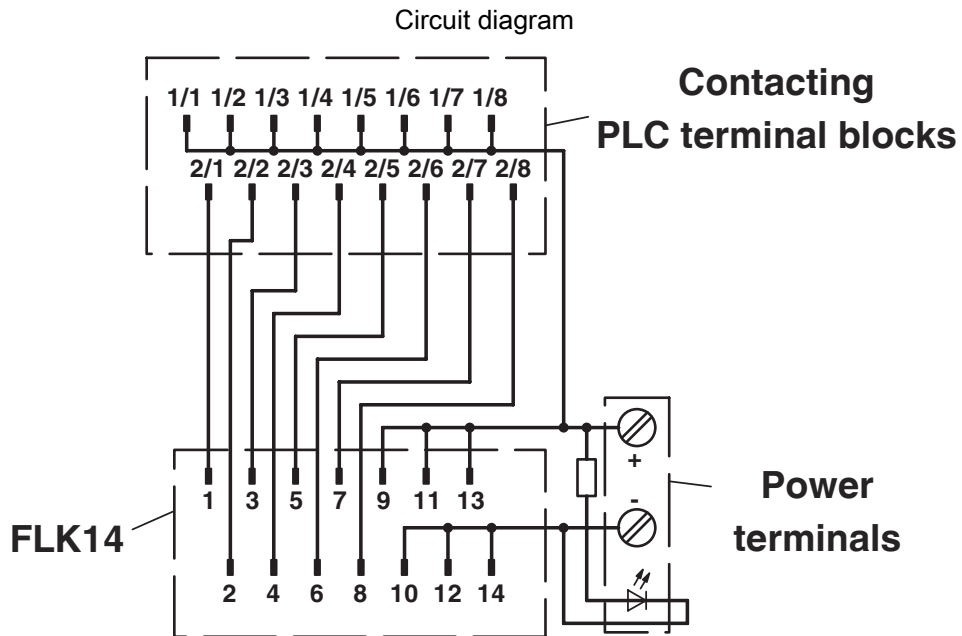
Schematic diagram



PLC-V8/FLK14/OUT/M - System connection

2304102

<https://www.phoenixcontact.com/us/products/2304102>



PLC-V8/FLK14/OUT/M - System connection





2304102

<https://www.phoenixcontact.com/us/products/2304102>


Approvals


To download certificates, visit the product detail page: <https://www.phoenixcontact.com/us/products/2304102>


 cUL Recognized Approval ID: FILE E 238705	Nominal voltage U_N	Nominal current I_N	Cross section AWG	Cross section mm^2
	24 V	1 A	-	-


 UL Recognized Approval ID: FILE E 238705	Nominal voltage U_N	Nominal current I_N	Cross section AWG	Cross section mm^2
	24 V	1 A	-	-

 DNV GL Approval ID: TAE0000196

 UL Listed Approval ID: FILE E 172140
--

 cUL Listed Approval ID: FILE E 172140

 cUL Listed Approval ID: FILE E 199827

 UL Listed Approval ID: FILE E 199827
--

cULus Recognized

cULus Listed

cULus Listed

PLC-V8/FLK14/OUT/M - System connection



2304102

<https://www.phoenixcontact.com/us/products/2304102>

Classifications

ECLASS

ECLASS-11.0	27141152
ECLASS-13.0	27141152
ECLASS-12.0	27141152

ETIM

ETIM 9.0	EC002780
----------	----------

UNSPSC

UNSPSC 21.0	39121400
-------------	----------

2304102

<https://www.phoenixcontact.com/us/products/2304102>

Environmental product compliance

EU RoHS

Fulfills EU RoHS substance requirements	Yes
Exemption	6(c)

China RoHS

Environment friendly use period (EFUP)	EFUP-50
	An article-related China RoHS declaration table can be found in the download area for the respective article under "Manufacturer declaration". For all articles with EFUP-E, no China RoHS declaration table issued and required.

EU REACH SVHC

REACH candidate substance (CAS No.)	Hexahydromethylphthalic anhydride(CAS: n/a)
	Lead(CAS: 7439-92-1)
SCIP	8714af15-a9b8-4117-9ea1-710aeb8c2e65

PLC-V8/FLK14/OUT/M - System connection

2304102

<https://www.phoenixcontact.com/us/products/2304102>

Mandatory accessories

PLC-RPT- 24DC/21 - Relay Module

2900299

<https://www.phoenixcontact.com/us/products/2900299>



PLC-INTERFACE, consisting of PLC-BPT.../21 basic terminal block with Push-in connection and plug-in miniature relay with power contact, for mounting on NS 35/7,5 DIN rail, 1 changeover contact, input voltage 24 V DC

PLC-RSC- 24DC/21 - Relay Module

2966171

<https://www.phoenixcontact.com/us/products/2966171>



PLC-INTERFACE, consisting of basic terminal block PLC-BSC.../21 with screw connection and plug-in miniature relay with power contact, for assembly on DIN rail NS 35/7,5, 1 changeover contact, input voltage 24 V DC

PLC-V8/FLK14/OUT/M - System connection

2304102

<https://www.phoenixcontact.com/us/products/2304102>

PLC-RPT- 24DC/21AU - Relay Module

2900306

<https://www.phoenixcontact.com/us/products/2900306>



PLC-INTERFACE, consisting of PLC-BPT.../21 basic terminal block with Push-in connection and plug-in miniature relay with multi-layer gold contact, for mounting on DIN rail NS 35/7,5, 1 changeover contact, input voltage 24 V DC

PLC-RSC- 24DC/21AU - Relay Module

2966265

<https://www.phoenixcontact.com/us/products/2966265>



PLC-INTERFACE, consisting of PLC-BSC.../21 basic terminal block with screw connection and plug-in miniature relay with multi-layer gold contact, for mounting on DIN rail NS 35/7,5, 1 changeover contact, input voltage 24 V DC

PLC-V8/FLK14/OUT/M - System connection

2304102

<https://www.phoenixcontact.com/us/products/2304102>

PLC-RPT- 24UC/21AU - Relay Module

2900307

<https://www.phoenixcontact.com/us/products/2900307>



PLC-INTERFACE, consisting of PLC-BPT.../21 basic terminal block with Push-in connection and plug-in miniature relay with multi-layer gold contact, for mounting on DIN rail NS 35/7,5, 1 changeover contact, input voltage 24 V AC/DC

PLC-RSC- 24UC/21AU - Relay Module

2966278

<https://www.phoenixcontact.com/us/products/2966278>



PLC-INTERFACE, consisting of PLC-BSC.../21 basic terminal block with screw connection and plug-in miniature relay with multi-layer gold contact, for mounting on DIN rail NS 35/7,5, 1 changeover contact, input voltage 24 V AC/DC

PLC-V8/FLK14/OUT/M - System connection

2304102

<https://www.phoenixcontact.com/us/products/2304102>

PLC-RPT- 24UC/ 1/S/H - Switch

2900328

<https://www.phoenixcontact.com/us/products/2900328>



PLC-INTERFACE with switch (operation by hand) and integrated power contact relay for the "Manual, Zero and Automatic" functions, with push-in connection, for mounting on DIN rail NS 35/7.5, one N/O contact, input voltage 24 V AC/DC

PLC-RSC- 24UC/ 1/S/H - Switch

2982236

<https://www.phoenixcontact.com/us/products/2982236>



PLC-INTERFACE with switch (operation by hand) for the "Manual, Zero, and Automatic" functions, with screw connection and integrated power contact relay, for mounting on DIN rail NS 35/7,5, 1 N/O contact, input voltage 24 V AC/DC

PLC-V8/FLK14/OUT/M - System connection

2304102

<https://www.phoenixcontact.com/us/products/2304102>

PLC-OPT- 24DC/ 24DC/2 - Solid-state relay module

2900364

<https://www.phoenixcontact.com/us/products/2900364>



PLC-INTERFACE, consisting of PLC-BPT.../21 basic terminal block with push-in connection and plug-in miniature solid-state relay, for mounting on DIN rail NS 35/7,5, 1 N/O contact, input: 24 V DC, output: 3 - 33 V DC/3 A

PLC-OSC- 24DC/ 24DC/ 2 - Solid-state relay module

2966634

<https://www.phoenixcontact.com/us/products/2966634>



PLC-INTERFACE, consisting of PLC-BSC.../21 basic terminal block with screw connection and plug-in miniature solid-state relay, for mounting on DIN rail NS 35/7,5, 1 N/O contact, input: 24 V DC, output: 3 - 33 V DC/3 A

PLC-V8/FLK14/OUT/M - System connection

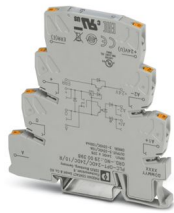
2304102

<https://www.phoenixcontact.com/us/products/2304102>

PLC-OPT- 24DC/ 24DC/10/R - Solid-state relay module

2900398

<https://www.phoenixcontact.com/us/products/2900398>



PLC-INTERFACE with confirmation contact, consisting of basic terminal block with push-in connection and integrated miniature solid-state relay, for mounting on DIN rail NS 35/7,5, 1 N/O contact, input: 24 V DC, output: 3 - 33 V DC/10 A

PLC-OSC- 24DC/ 24DC/ 10/R - Solid-state relay module

2982702

<https://www.phoenixcontact.com/us/products/2982702>



PLC-INTERFACE with checkback contact, consisting of basic terminal block with screw connection and integrated miniature solid-state relay, for mounting on DIN rail NS 35/7,5, 1 N/O contact, input: 24 V DC, output: 3 ... 33 V DC/10 A

PLC-V8/FLK14/OUT/M - System connection

2304102

<https://www.phoenixcontact.com/us/products/2304102>

PLC-OPT- 24DC/230AC/1 - Solid-state relay module

2900369

<https://www.phoenixcontact.com/us/products/2900369>



PLC-INTERFACE, consisting of PLC-BPT.../21 basic terminal block with push-in connection and plug-in miniature solid-state relay, for mounting on DIN rail NS 35/7,5, 1 N/O contact, input: 24 V DC, output: 24 - 253 V AC/0.75 A

PLC-OSC- 24DC/230AC/ 1 - Solid-state relay module

2967840

<https://www.phoenixcontact.com/us/products/2967840>



PLC-INTERFACE, consisting of PLC-BSC.../21 basic terminal block with screw connection and plug-in miniature solid-state relay, for mounting on DIN rail NS 35/7,5, 1 N/O contact, input: 24 V DC, output: 24 - 253 V AC/0.75 A

PLC-V8/FLK14/OUT/M - System connection

2304102

<https://www.phoenixcontact.com/us/products/2304102>

PLC-OPT- 24DC/300DC/1 - Solid-state relay module

2900383

<https://www.phoenixcontact.com/us/products/2900383>

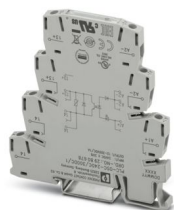


PLC-INTERFACE, integrated solid-state relay, with push-in connection, for mounting on NS 35/7,5 DIN rails, input: 24 V DC, output: 12 - 300 V DC/1 A

PLC-OSC- 24DC/300DC/ 1 - Solid-state relay module

2980678

<https://www.phoenixcontact.com/us/products/2980678>



PLC-INTERFACE, integrated solid-state relay, with screw connection, for mounting on NS 35/7,5 DIN rails, input: 24 V DC, output: 12 - 300 V DC/1 A

PLC-V8/FLK14/OUT/M - System connection

2304102

<https://www.phoenixcontact.com/us/products/2304102>

PLC-OPT- 24DC/ 48DC/100 - Solid-state relay module

2900352

<https://www.phoenixcontact.com/us/products/2900352>



PLC-INTERFACE, consisting of PLC-BPT.../21 basic terminal block with push-in connection and plug-in miniature solid-state relay, for mounting on DIN rail NS 35/7,5, 1 N/O contact, input: 24 V DC, output: 3 - 48 V DC/100 mA

PLC-OSC- 24DC/ 48DC/100 - Solid-state relay module

2966728

<https://www.phoenixcontact.com/us/products/2966728>



PLC-INTERFACE, consisting of PLC-BSC.../21 basic terminal block with screw connection and plug-in miniature solid-state relay, for mounting on DIN rail NS 35/7,5, 1 N/O contact, input: 24 V DC, output: 3 - 48 V DC/100 mA

PLC-V8/FLK14/OUT/M - System connection

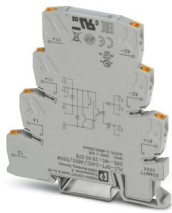
2304102

<https://www.phoenixcontact.com/us/products/2304102>

PLC-OPT- 24DC/ 48DC/500/W - Solid-state relay module

2900378

<https://www.phoenixcontact.com/us/products/2900378>



PLC-INTERFACE with electronic changeover contact, consisting of PLC-BPT.../21 basic terminal block with Push-in connection and integrated miniature solid-state relay, for mounting on DIN rail NS 35/7,5, 1 changeover contact, input: 24 V DC, output: 3-48 V DC/500 mA

PLC-OSC- 24DC/ 48DC/500/W - Solid-state relay module

2980636

<https://www.phoenixcontact.com/us/products/2980636>



PLC-INTERFACE with electronic changeover contact, consisting of PLC-BSC.../21 basic terminal block with screw connection and integrated miniature solid-state relay, for mounting on NS 35/7,5 DIN rail, 1 changeover contact, input: 24 V DC, output: 3 V DC ... 48 V DC/500 mA

PLC-V8/FLK14/OUT/M - System connection

2304102

<https://www.phoenixcontact.com/us/products/2304102>

PLC-VT - Feed-through terminal block

2296870

<https://www.phoenixcontact.com/us/products/2296870>



VARIOFACE feed-through terminal block (2-conductor screw connection), for PLC-INTERFACE universal series

PLC-VT/LA - Feed-through terminal block

2296854

<https://www.phoenixcontact.com/us/products/2296854>



VARIOFACE feed-through terminal block (2-conductor screw connection), for PLC-INTERFACE universal series, with 24 V DC LED display

PLC-V8/FLK14/OUT/M - System connection

2304102

<https://www.phoenixcontact.com/us/products/2304102>

PLC-RPT- 24DC/ 1/ACT - Relay Module

2900312

<https://www.phoenixcontact.com/us/products/2900312>



PLC-INTERFACE for output functions, consisting of PLC-BPT.../ACT basic terminal block with push-in connection and plug-in miniature relay with power contact, for mounting on DIN rail NS 35/7,5, 1 N/O contact, input voltage 24 V DC

PLC-RSC- 24DC/ 1/ACT - Relay Module

2966210

<https://www.phoenixcontact.com/us/products/2966210>



PLC-INTERFACE for output functions, consisting of PLC-BSC.../ACT basic terminal block with screw connection and plug-in miniature relay with power contact, for mounting on DIN rail NS 35/7,5, 1 N/O contact, input voltage 24 V DC

PLC-V8/FLK14/OUT/M - System connection

2304102

<https://www.phoenixcontact.com/us/products/2304102>

PLC-OPT- 24DC/ 24DC/2/ACT - Solid-state relay module

2900376

<https://www.phoenixcontact.com/us/products/2900376>



PLC-INTERFACE for output functions, consisting of PLC-BPT.../ACT basic terminal block with push-in connection and plug-in miniature solid-state relay, for mounting on DIN rail NS 35/7,5, 1 N/O contact, input: 24 V DC, output: 3 - 33 V DC/3 A

PLC-OSC- 24DC/ 24DC/ 2/ACT - Solid-state relay module

2966676

<https://www.phoenixcontact.com/us/products/2966676>



PLC-INTERFACE for output functions, consisting of PLC-BSC.../ACT basic terminal block with screw connection and plug-in miniature solid-state relay, for mounting on DIN rail NS 35/7,5, 1 N/O contact, input: 24 V DC, output: 3 - 33 V DC/3 A

PLC-V8/FLK14/OUT/M - System connection

2304102

<https://www.phoenixcontact.com/us/products/2304102>

PLC-OSC- 24DC/230AC/ 1/ACT - Solid-state relay module

2967947

<https://www.phoenixcontact.com/us/products/2967947>



PLC-INTERFACE for output functions, consisting of PLC-BSC.../ACT basic terminal block with screw connection and plug-in miniature solid-state relay, for mounting on DIN rail NS 35/7,5, 1 N/O contact, input: 24 V DC, output: 24 ... 253 V AC/0.75 A

PLC-VT/ACT - Feed-through terminal block

2295567

<https://www.phoenixcontact.com/us/products/2295567>



VARIOFACE feed-through terminal block (3-conductor screw connection), for PLC-INTERFACE actuator series

PLC-V8/FLK14/OUT/M - System connection



2304102

<https://www.phoenixcontact.com/us/products/2304102>

PLC-VT/ACT/LA - Feed-through terminal block

2296867

<https://www.phoenixcontact.com/us/products/2296867>



VARIOFACE feed-through terminal block (3-conductor screw connection), for PLC-INTERFACE actuator series, with 24 V DC LED display

Accessories

FLKMIL-50/4FLK14/EZ-DR/ 100/CS - Cable

2306951

<https://www.phoenixcontact.com/us/products/2306951>



Assembled shielded round cable; controller: Yokogawa CS3000 CentumVP (ADV561, ADV161); connection 1: IDC/FLK socket strip (1x 50-position); connection 2: IDC/FLK socket strip (4x 14-position); cable length: 1 m

PLC-V8/FLK14/OUT/M - System connection



2304102

<https://www.phoenixcontact.com/us/products/2304102>

FLKMIL-50/4FLK14/EZ-DR/ 200/CS - Cable

2306304

<https://www.phoenixcontact.com/us/products/2306304>



Assembled shielded round cable; controller: Yokogawa CS3000 CentumVP (ADV561, ADV161); connection 1: IDC/FLK socket strip (1x 50-position); connection 2: IDC/FLK socket strip (4x 14-position); cable length: 2 m

FLKMIL-50/4FLK14/EZ-DR/ 300/CS - Cable

2306964

<https://www.phoenixcontact.com/us/products/2306964>



Assembled shielded round cable; controller: Yokogawa CS3000 CentumVP (ADV561, ADV161); connection 1: IDC/FLK socket strip (1x 50-position); connection 2: IDC/FLK socket strip (4x 14-position); cable length: 3 m

PLC-V8/FLK14/OUT/M - System connection



2304102

<https://www.phoenixcontact.com/us/products/2304102>

FLKMIL-50/4FLK14/EZ-DR/ 500/CS - Cable

2306977

<https://www.phoenixcontact.com/us/products/2306977>



Assembled shielded round cable; controller: Yokogawa CS3000 CentumVP (ADV561, ADV161); connection 1: IDC/FLK socket strip (1x 50-position); connection 2: IDC/FLK socket strip (4x 14-position); cable length: 5 m

FLKMIL-50/4FLK14/EZ-DR/ 600/CS - Cable

2318949

<https://www.phoenixcontact.com/us/products/2318949>



Assembled shielded round cable; controller: Yokogawa CS3000 CentumVP (ADV561, ADV161); connection 1: IDC/FLK socket strip (1x 50-position); connection 2: IDC/FLK socket strip (4x 14-position); cable length: 6 m

PLC-V8/FLK14/OUT/M - System connection



2304102

<https://www.phoenixcontact.com/us/products/2304102>

FLKMIL-50/4FLK14/EZ-DR/1000/CS - Cable

2306980

<https://www.phoenixcontact.com/us/products/2306980>



Assembled shielded round cable; controller: Yokogawa CS3000 CentumVP (ADV561, ADV161); connection 1: IDC/FLK socket strip (1x 50-position); connection 2: IDC/FLK socket strip (4x 14-position); cable length: 10 m

FLKMIL-50/4FLK14/EZ-DR/1500/CS - Cable

2301503

<https://www.phoenixcontact.com/us/products/2301503>



Assembled shielded round cable; controller: Yokogawa CS3000 CentumVP (ADV561, ADV161); connection 1: IDC/FLK socket strip (1x 50-position); connection 2: IDC/FLK socket strip (4x 14-position); cable length: 15 m

PLC-V8/FLK14/OUT/M - System connection



2304102

<https://www.phoenixcontact.com/us/products/2304102>

FLKMIL-50/4FLK14/EZ-DR/2000/CS - Cable

2301914

<https://www.phoenixcontact.com/us/products/2301914>



Assembled shielded round cable; controller: Yokogawa CS3000 CentumVP (ADV561, ADV161); connection 1: IDC/FLK socket strip (1x 50-position); connection 2: IDC/FLK socket strip (4x 14-position); cable length: 20 m

FLKMIL-50/4FLK14/EZ-DR/3000/CS - Cable

2900159

<https://www.phoenixcontact.com/us/products/2900159>



Assembled shielded round cable; controller: Yokogawa CS3000 CentumVP (ADV561, ADV161); connection 1: IDC/FLK socket strip (1x 50-position); connection 2: IDC/FLK socket strip (4x 14-position); cable length: 30 m

PLC-V8/FLK14/OUT/M - System connection



2304102

<https://www.phoenixcontact.com/us/products/2304102>

FLKMIL-50/4FLK14/EZ-DR/4500/CS - Cable

2902911

<https://www.phoenixcontact.com/us/products/2902911>

Assembled shielded round cable; controller: Yokogawa CS3000 CentumVP (ADV561, ADV161); connection 1: IDC/FLK socket strip (1x 50-position); connection 2: IDC/FLK socket strip (4x 14-position); cable length: 45 m



CABLE-50/4FLK14/ 2,0M/YUC - Front adapter

2314655

<https://www.phoenixcontact.com/us/products/2314655>

Cast Yokogawa front adapter with attached round cable and an injection-molded 50-pos. socket strip for the connection of 4 x 8 channels on the field side. Cable length: 2.0 m



PLC-V8/FLK14/OUT/M - System connection

2304102

<https://www.phoenixcontact.com/us/products/2304102>

CABLE-50/4FLK14/ 3,0M/YUC - Front adapter

2314668

<https://www.phoenixcontact.com/us/products/2314668>



Cast Yokogawa front adapter with attached round cable and an injection-molded 50-pos. socket strip for the connection of 4 x 8 channels on the field side. Cable length: 3.0 m

CABLE-50/4FLK14/ 4,0M/YUC - Front adapter

2314671

<https://www.phoenixcontact.com/us/products/2314671>



Cast Yokogawa front adapter with attached round cable and an injection-molded 50-pos. socket strip for the connection of 4 x 8 channels on the field side. Cable length: 4.0 m

PLC-V8/FLK14/OUT/M - System connection

2304102

<https://www.phoenixcontact.com/us/products/2304102>

CABLE-50/4FLK14/ 6,0M/YUC - Front adapter

2318978

<https://www.phoenixcontact.com/us/products/2318978>



Cast Yokogawa front adapter with attached round cable and an injection-molded 50-pos. socket strip for the connection of 4 x 8 channels on the field side. Cable length: 6.0 m

CABLE-50/4FLK14/10,0M/YUC - Front adapter

2314684

<https://www.phoenixcontact.com/us/products/2314684>



Cast Yokogawa front adapter with attached round cable and an injection-molded 50-pos. socket strip for the connection of 4 x 8 channels on the field side. Cable length: 10.0 m

PLC-V8/FLK14/OUT/M - System connection

2304102

<https://www.phoenixcontact.com/us/products/2304102>

CABLE-50/4FLK14/15,0M/YUC - Front adapter

2322773

<https://www.phoenixcontact.com/us/products/2322773>



Cast Yokogawa front adapter with attached round cable and an injection-molded 50-pos. socket strip for the connection of 4 x 8 channels on the field side. Cable length: 15.0 m

CABLE-50/4FLK14/20,0M/YUC - Front adapter

2314778

<https://www.phoenixcontact.com/us/products/2314778>



Cast Yokogawa front adapter with attached round cable and an injection-molded 50-pos. socket strip for the connection of 4 x 8 channels on the field side. Cable length: 20.0 m

PLC-V8/FLK14/OUT/M - System connection



2304102

<https://www.phoenixcontact.com/us/products/2304102>

CABLE-50/4FLK14/28,0M/YUC - Front adapter

2901386

<https://www.phoenixcontact.com/us/products/2901386>



Cast Yokogawa front adapter with attached round cable and an injection-molded 50-pos. socket strip for the connection of 4 x 8 channels on the field side. Cable length: 28.0 m

CABLE-50/4FLK14/50,0M/YUC - Front adapter

2314765

<https://www.phoenixcontact.com/us/products/2314765>



Cast Yokogawa front adapter with attached round cable and an injection-molded 50-pos. socket strip for the connection of 4 x 8 channels on the field side. Cable length: 50.0 m

Phoenix Contact 2024 © - all rights reserved
<https://www.phoenixcontact.com>

Phoenix Contact USA
586 Fulling Mill Road
Middletown, PA 17057, United States
(+717) 944-1300
info@phoenixcon.com