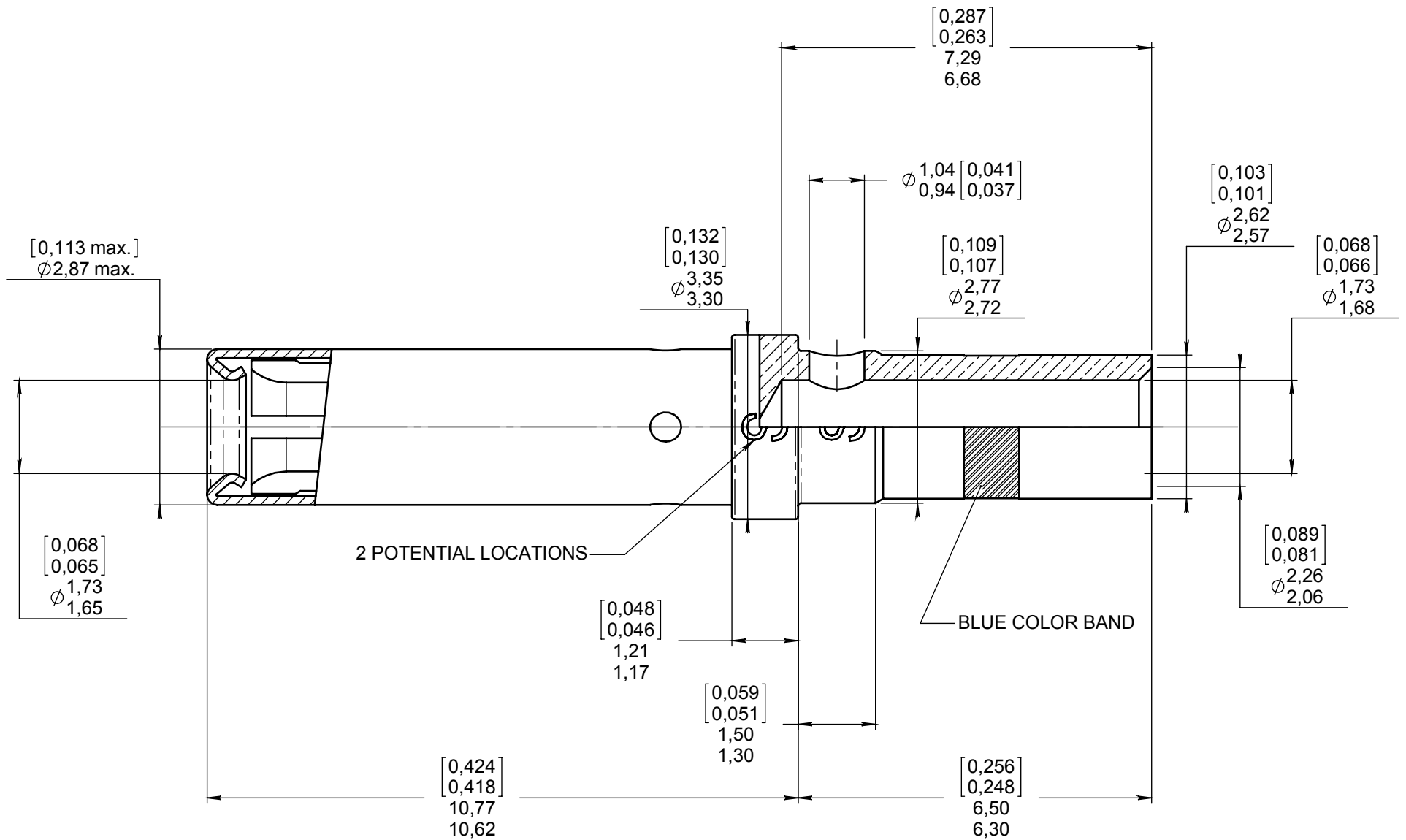


Series
EPX

SIZE 16 REAR REMOVABLE REAR RELEASE CRIMP SOCKET CONTACT
FOR AWG 16, 18 AND 20 CABLES

Issue:
May 30, 2016

Page
1/1



MATERIAL :

CONTACT BODY : BERYLLIUM COPPER PER ASTM B 196

PROTECTION SLEEVE : STAINLESS STEEL PER SAE AMS-5514

FINISH :

CONTACT BODY : PLATING .00005 INCH OF GOLD PER SAE AMS-2422 OVER NICKEL PER SAE AMS-QQ-N-290

PROTECTIVE SLEEVE : PASSIVATED PER SAE AMS-QQ-P-35

WIRING INSTRUCTIONS :

WIRES ACCOMODATED : AWG 16 - 18 and 20

INSULATION DIAMETER : 2,60 max (.071)

STRIP LENGTH : 6 (.236)

TOOLING : (ORDERED SEPARATLY)

CRIMPING TOOL : M22520/1-01 (RADIALL P/N : 282291)

SELECTOR POSITION : 6 FOR AWG 16

5 FOR AWG 18

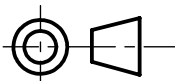
4 FOR AWG 20

POSITIONER : M22520/1-02 (RADIALL P/N : 282972)

INS/EXT TOOL : M81969/1-03 (RADIALL P/N : 282546)

SPL RADIALL INS. 282 89929 / EXT. 282 892

DIMENSIONS : mm (inch are given for information only)



CREATION

PEN: .

NOM: MACARI

DATE: JAN 17 1990

APPR.: .

Issue	Revisions	Name	Approved
May 30, 16	Protective sleeve ϕ 2.79/2.87 >>> 2.87 max	YON P.	VIEIRA D.
AUG 29 06	DIMENSION CONVERSION UPDATED	VALGRESY	L GARCIA

Mouser Electronics

Authorized Distributor

Click to View Pricing, Inventory, Delivery & Lifecycle Information:

[Radial:](#)

[617340](#)