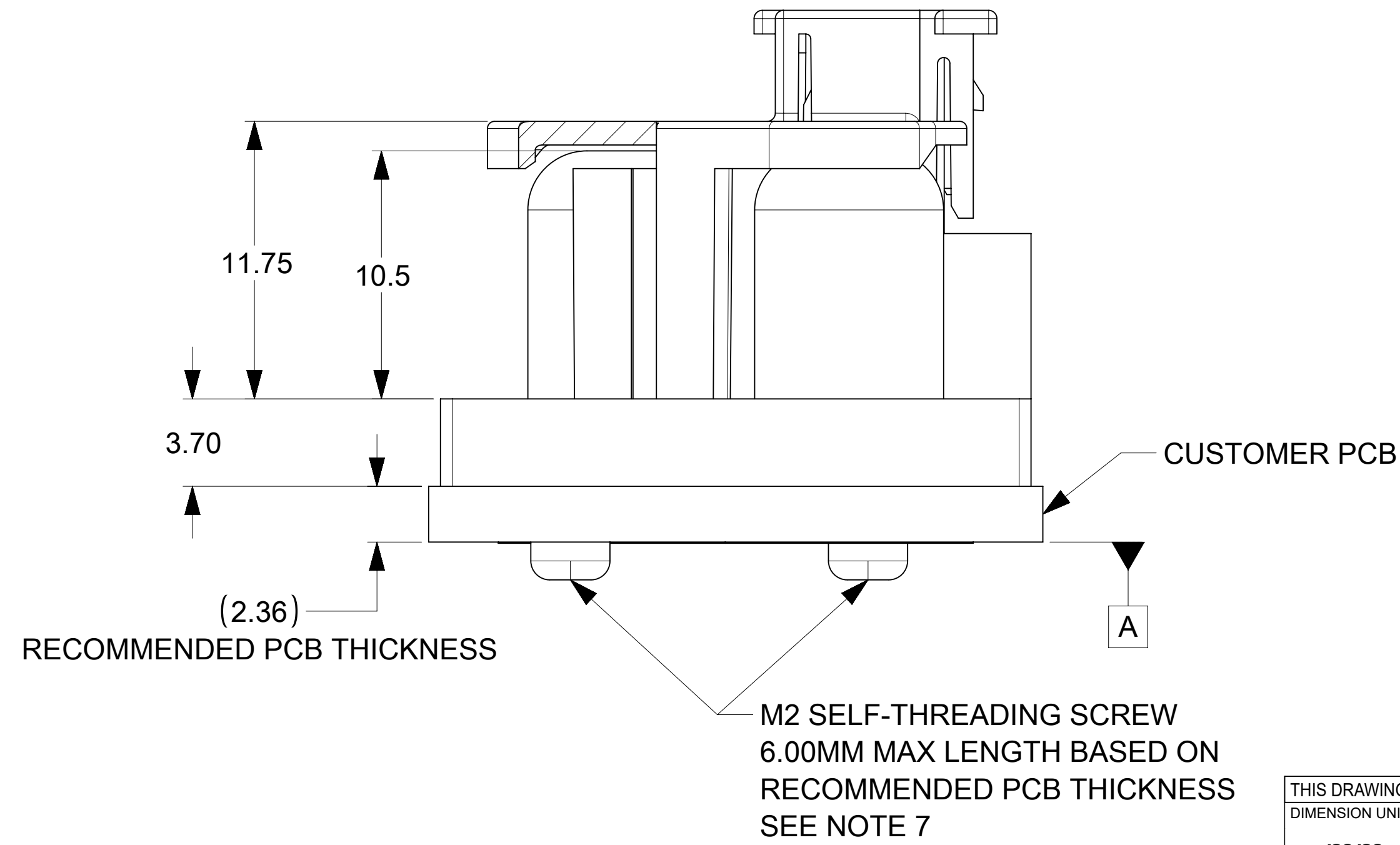
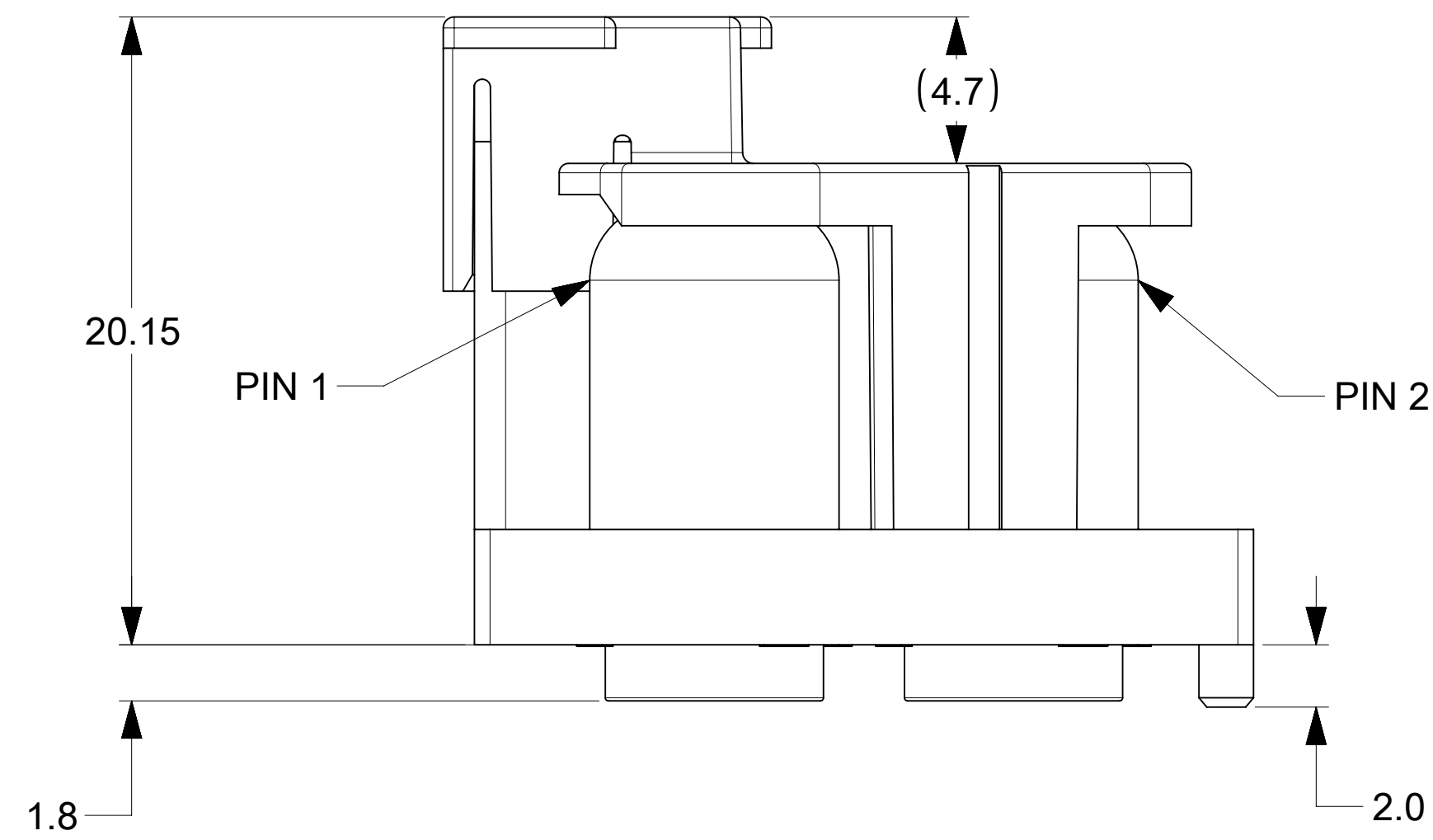
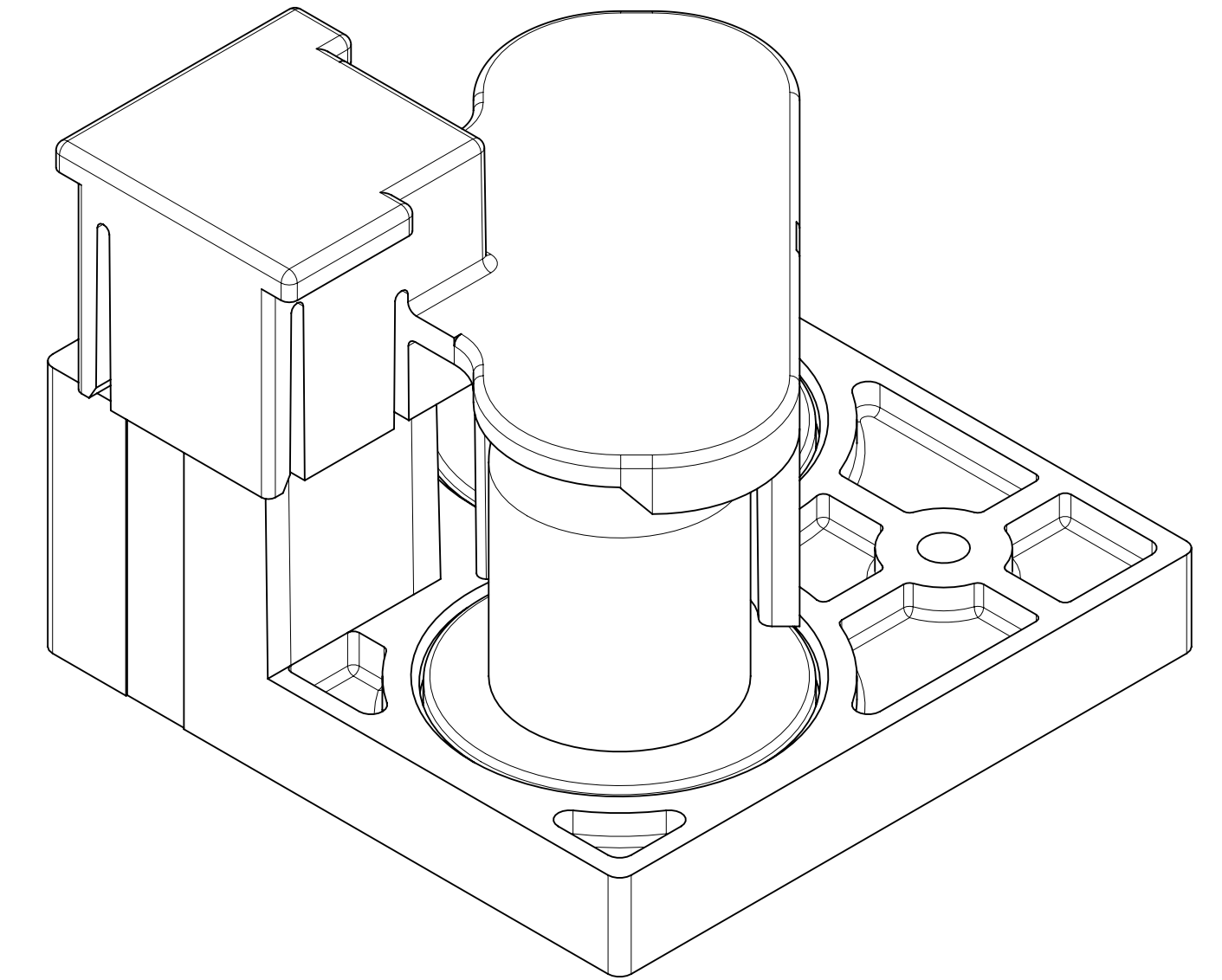
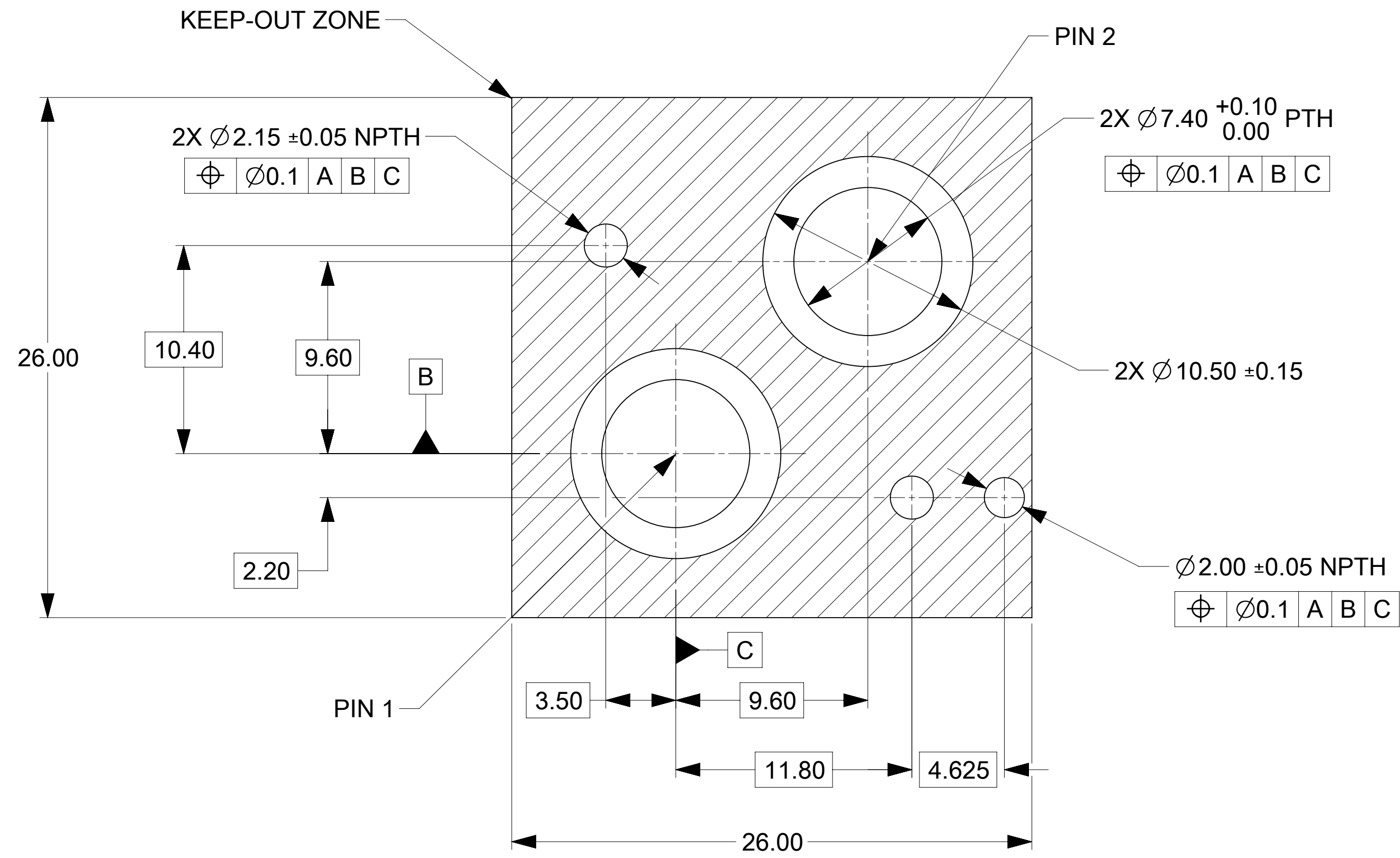
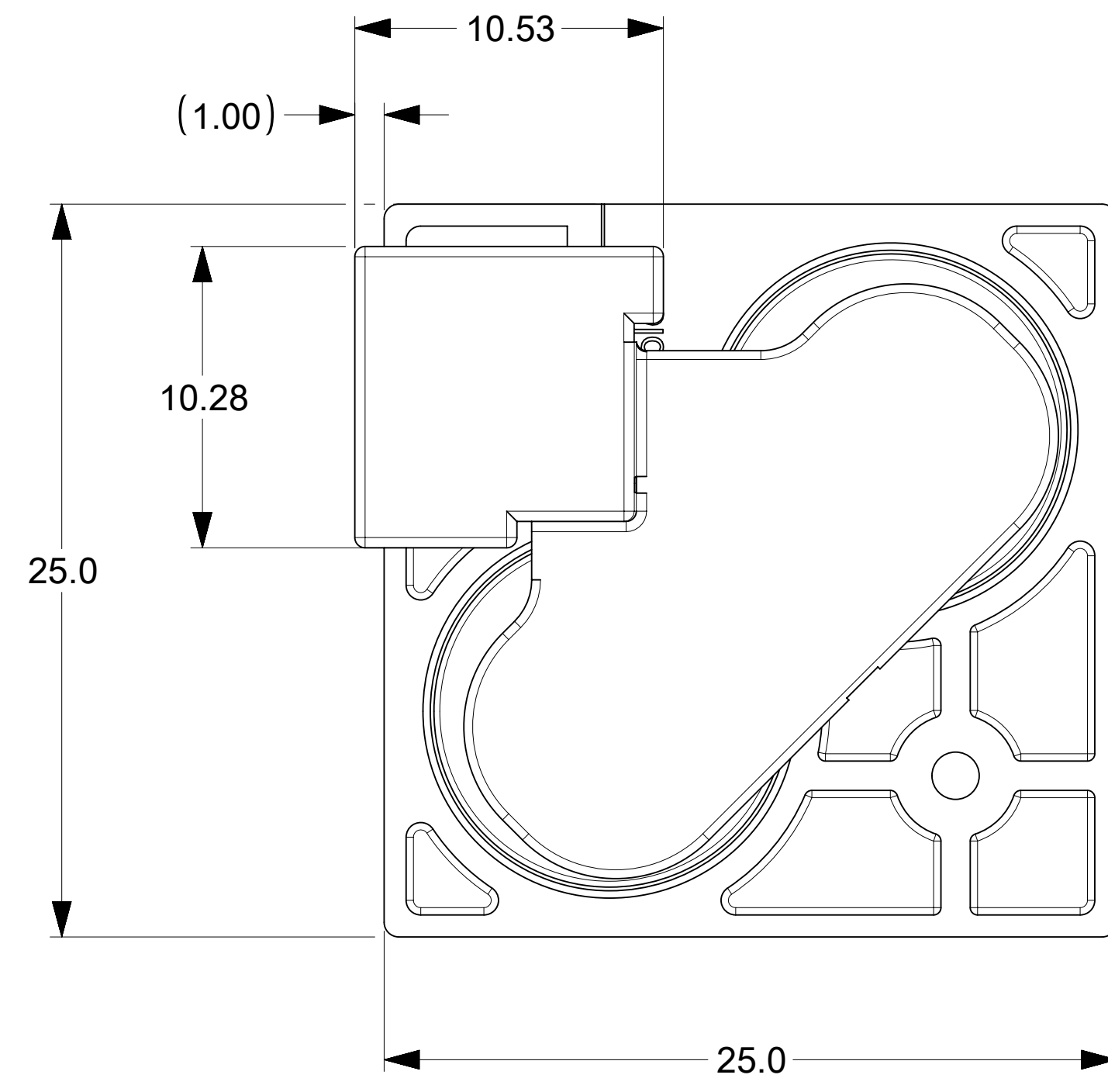


RECOMMENDED PCB FOOTPRINT



NOTES:

- MATERIALS:
 BASE METAL: HIGH CONDUCTIVE COPPER ALLOY
 PLATING: 3.18-7.62 MICRON ELECTRODEPOSITED 99.5% PURITY SILVER, (SEMI-BRIGHT FISH WITH NO ORGANIC BRIGHTENER) OVER 1.27-3.80 MICRON DUCTILE SULPHAMATE NICKEL OVERALL.
 HOUSING AND CAP PLASTIC : LCP 30% GLASS-FILLED LOW-HALOGEN COMPLIANT, UL 94 V-0..
- MATES WITH HARNESS: 2185650001, REFERENCE 2185650001-SD
- PRODUCT SPECIFICATION: 2185650001-PS
- APPLICATION SPECIFICATION: 2185650001-AS
- PACKAGING SPECIFICATION: 2185670003-PK
- DATE CODE TBD.
- MOLEX DOES NOT SUPPLY M2 SELF-THREADING SCREWS.

THIS DRAWING CONTAINS INFORMATION THAT IS PROPRIETARY TO MOLEX ELECTRONIC TECHNOLOGIES, LLC AND SHOULD NOT BE USED WITHOUT WRITTEN PERMISSION									
DIMENSION UNITS		SCALE		CURRENT REV DESC: UPDATED THE TITLE BLOCK AND NOTE					
mm		5:1							
GENERAL TOLERANCES (UNLESS SPECIFIED)									
ANGULAR TOL ± °									
4 PLACES		±		EC NO: 773991					
3 PLACES		± 0.08		DRWN: SREENA1 2024/01/23					
2 PLACES		± 0.13		CHK'D: GSHARMA 2024/01/23					
1 PLACE		± 0.25		APPR: HTHYAGARAJ 2024/01/23					
0 PLACES		±		INITIAL REVISION:					
				DRWN: CHANDS26 2022/07/12					
				APPR: HTHYAGARAJ 2022/12/19					
DRAFT WHERE APPLICABLE MUST REMAIN WITHIN DIMENSIONS			THIRD ANGLE PROJECTION		DRAWING		SERIES		MATERIAL NUMBER
					D-SIZE		218567		2185670003
DOCUMENT STATUS			P1		RELEASE DATE		2024/01/23 15:54:47		CUSTOMER
									GENERAL MARKET
									SHEET NUMBER
									1 OF 1

molex

8.0MM ULTRAWIZE 2-CKT HEADER WITH CAP

PRODUCT CUSTOMER DRAWING

DOCUMENT NUMBER DOC TYPE DOC PART REVISION

2185670003 PSD 000 A2

MATERIAL NUMBER CUSTOMER SHEET NUMBER

2185670003 GENERAL MARKET 1 OF 1