

CA-12P1N8A6L00 - Device connector front mounting



1624026

<https://www.phoenixcontact.com/us/products/1624026>

Please be informed that the data shown in this PDF document is generated from our online catalog. Please find the complete data in the user documentation. Our general terms of use for downloads are valid.



M23, Device connector front mounting, series: CA, straight, shielded: yes, for standard and SPEEDCON interlock, No. of pos.: 12, Direction of rotation: Standard, contact connection type: Pin, Crimp connection, Axial seal, Central fastening M20 x 1.5, can be positioned via a locking nut, coding: N

Your advantages

- Safe use in the field, thanks to high degree of protection
- Connector for flexible on-site assembly
- Consistent EMC protection for reliable transmission of signals
- Crimping connection: vibration- and temperature-resistant assembly

Commercial data

Item number	1624026
Packing unit	1 pc
Minimum order quantity	1 pc
Sales key	AB31
Product key	ABRAEL
Catalog page	Page 98 (C-2-2019)
GTIN	4055626227344
Weight per piece (including packing)	35.3 g
Weight per piece (excluding packing)	31.2 g
Customs tariff number	85366990
Country of origin	DE

CA-12P1N8A6L00 - Device connector front mounting



1624026

<https://www.phoenixcontact.com/us/products/1624026>

Technical data

Notes

Order information:	Order 12 x 1 mm crimp contacts separately
--------------------	---

Product properties

Product type	Circular connectors (device side)
--------------	-----------------------------------

Data management status

Article revision	04
------------------	----

Material specifications

Flammability rating according to UL 94	V0
--	----

Connector

Insulating body

Note	Order information: Order crimp contacts Ø 1 mm separately
Coding	N
Insulation body material	PA 6.6
Connection method	Crimp connection
Contact switching type	Pin
Application	Signal
Number of positions	12
Direction of rotation	Standard
Connection profile	12
Contact diameter Signal contacts	1 mm
Litz wire cross-section Signal contacts min.	0.08 mm ²
Litz wire cross-section Signal contacts max.	1 mm ²
Nominal current per signal contact	8 A
Rated voltage Signal contact	48 V AC
Rated surge voltage	1.5 kV
Overvoltage category	III
Degree of pollution	3

Housing

Housing material	Turned parts: copper zinc alloy (CuZn), die-cast parts: zinc (GD-Zn)
Type of locking	for standard and SPEEDCON interlock
Pg screw connection	none
Degree of protection (plugged in)	IP67
Thread type	M23

Environmental and real-life conditions

CA-12P1N8A6L00 - Device connector front mounting



1624026

<https://www.phoenixcontact.com/us/products/1624026>

Ambient conditions

Ambient temperature (storage/transport)	15 °C ... 25 °C
Permissible humidity (storage/transport)	50 % ... 65 %

CA-12P1N8A6L00 - Device connector front mounting

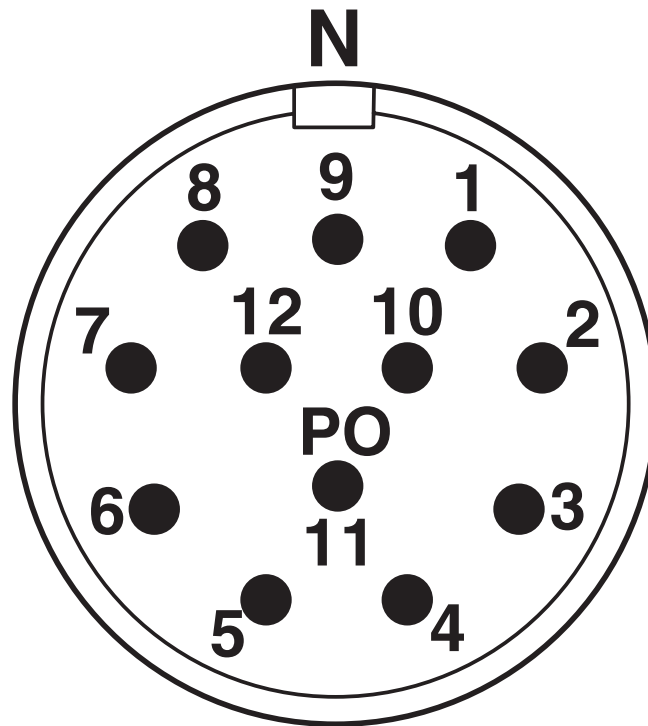


1624026

<https://www.phoenixcontact.com/us/products/1624026>

Drawings

Schematic diagram



Connector pin assignment

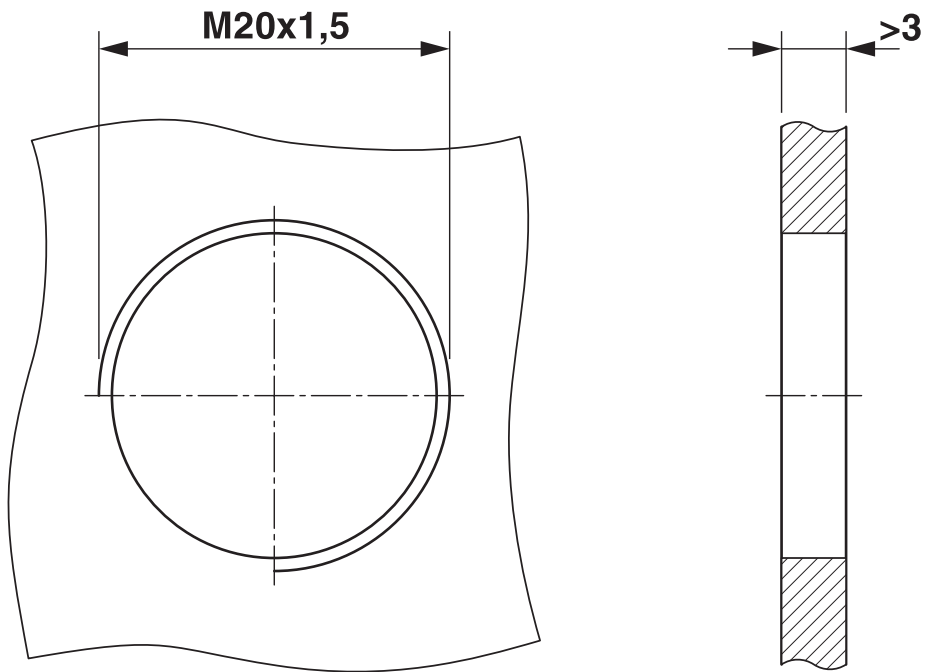
CA-12P1N8A6L00 - Device connector front mounting



1624026

<https://www.phoenixcontact.com/us/products/1624026>

Dimensional drawing



Installation dimensions

CA-12P1N8A6L00 - Device connector front mounting





1624026

<https://www.phoenixcontact.com/us/products/1624026>

Approvals

To download certificates, visit the product detail page: <https://www.phoenixcontact.com/us/products/1624026>

 cUL Recognized Approval ID: E335019-20141210				
	Nominal voltage U_N	Nominal current I_N	Cross section AWG	Cross section mm^2
	48 V	4 A	20 - 20	-

 UL Recognized Approval ID: E335019-20141210				
	Nominal voltage U_N	Nominal current I_N	Cross section AWG	Cross section mm^2
	48 V	6 A	20 - 20	-

cULus Recognized				
-------------------------	--	--	--	--

CA-12P1N8A6L00 - Device connector front mounting



1624026

<https://www.phoenixcontact.com/us/products/1624026>

Classifications

ECLASS

ECLASS-11.0	27440109
ECLASS-12.0	27440109
ECLASS-13.0	27440109

ETIM

ETIM 9.0	EC003569
----------	----------

UNSPSC

UNSPSC 21.0	39121400
-------------	----------

1624026

<https://www.phoenixcontact.com/us/products/1624026>

Environmental product compliance

EU RoHS

Fulfills EU RoHS substance requirements	Yes
Exemption	6(c)

China RoHS

Environment friendly use period (EFUP)	EFUP-50
	An article-related China RoHS declaration table can be found in the download area for the respective article under "Manufacturer declaration". For all articles with EFUP-E, no China RoHS declaration table issued and required.

EU REACH SVHC

REACH candidate substance (CAS No.)	Lead(CAS: 7439-92-1)
SCIP	cbb149c8-19d8-454b-a226-fcdc680fbb29

Phoenix Contact 2024 © - all rights reserved

<https://www.phoenixcontact.com>

Phoenix Contact USA
586 Fulling Mill Road
Middletown, PA 17057, United States
(+717) 944-1300
info@phoenixcon.com