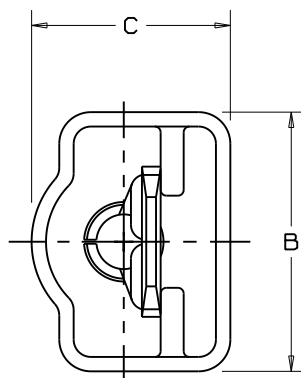
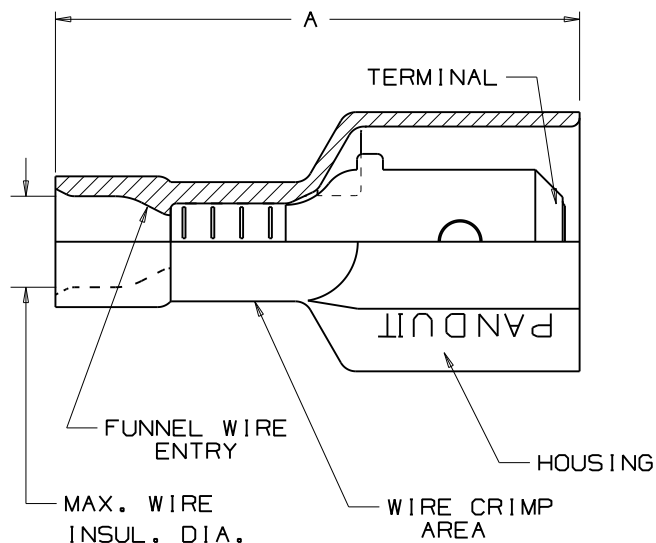


NOTES:



1. UL LISTED AND CSA CERTIFIED FOR:
  - A. 600V MAX VOLTAGE RATING
  - B. 221° F (105 C) MAX TEMP. RATING (CSA)
  - C. 257° F (125°C) MAX TEMP. RATING (UL)
  - D. STRANDED COPPER WIRE ONLY.
2. MATERIAL:
  - A. STAMPING- BRASS, NICKEL PLATED
  - COPPER, NICKEL PLATED (FOR DNF10-250F1MB)
  - B. HOUSING-TYPE 6/6 NYLON
3. DIMENSIONS IN BRACKETS ARE IN mm OR mm<sup>2</sup>
4. COLORS ARE TRANSLUCENT
5. SEE [www.panduit.com](http://www.panduit.com) FOR PART NUMBER SUFFIX DESIGNATION FOR PACKAGE SIZE.
6. WIRE STRIP LENGTH:  $9/32^{+1/32}_{-0}$  (7.1<sup>+0.8</sup><sub>-0</sub>)  
 $3/8^{+1/32}_{-0}$  (9.5<sup>+0.8</sup><sub>-0</sub>)  
 (FOR DNF10-250F1MB)



LISTED  
20H3  
E78522



CERTIFIED  
LR31212

PART NUMBER	TAB SIZE	WIRE RANGE AWG (mm <sup>2</sup> )	COLOR (note 4)	MAX. INSUL.	DIMENSIONS in			CRIMP TOOLS
					A ±.03	B ±.01	C ±.01	
DNF18-250F1MB	.250 X .032 (6,3 X 0,8)	22-18 (1,5-1,0)	RED	.136 (3,45)	.91 (23,1)	.45 (11,4)	.34 (8,6)	CT-600-A CT-520 CT-1525 CT-2500
DNF14-250F1MB	.250 X .032 (6,3 X 0,8)	16-14 (1,5-2,5)	BLUE	.160 (4,06)	.91 (23,1)	.45 (11,4)	.34 (8,6)	CT-600-A CT-520 CT-1525 CT-2500
DNF10-250F1MB	.250 X .032 (6,3 X 0,8)	12-10 (4,0-6,0)	YELLOW	.220 (5,59)	.96 (24,4)	.45 (11,4)	.36 (9,1)	CT-600-A CT-1550 CT-1551 CT-2500

**PANDUIT** CORP.

TINLEY PARK, ILLINOIS

REV	DATE	BY	DESCRIPTION
13	8/11	SHOR	MODIFIED NOTE #5, ADDED INSTALLATION TOOLS
12	07/10	SRB	Corrected tab size for DNF10-250F1MB

LOOSE PC. FULLY INSULATED UNI-MALE DISCONNECT .250 X .032		DRAWN BY JV	CHK'D	SCALE 	DRAWING NO. A41402
--------------------------------------------------------------	--	----------------	-------	-----------	-----------------------

# Mouser Electronics

Authorized Distributor

Click to View Pricing, Inventory, Delivery & Lifecycle Information:

[Panduit:](#)

[DNF14-250FIMB-LY](#)