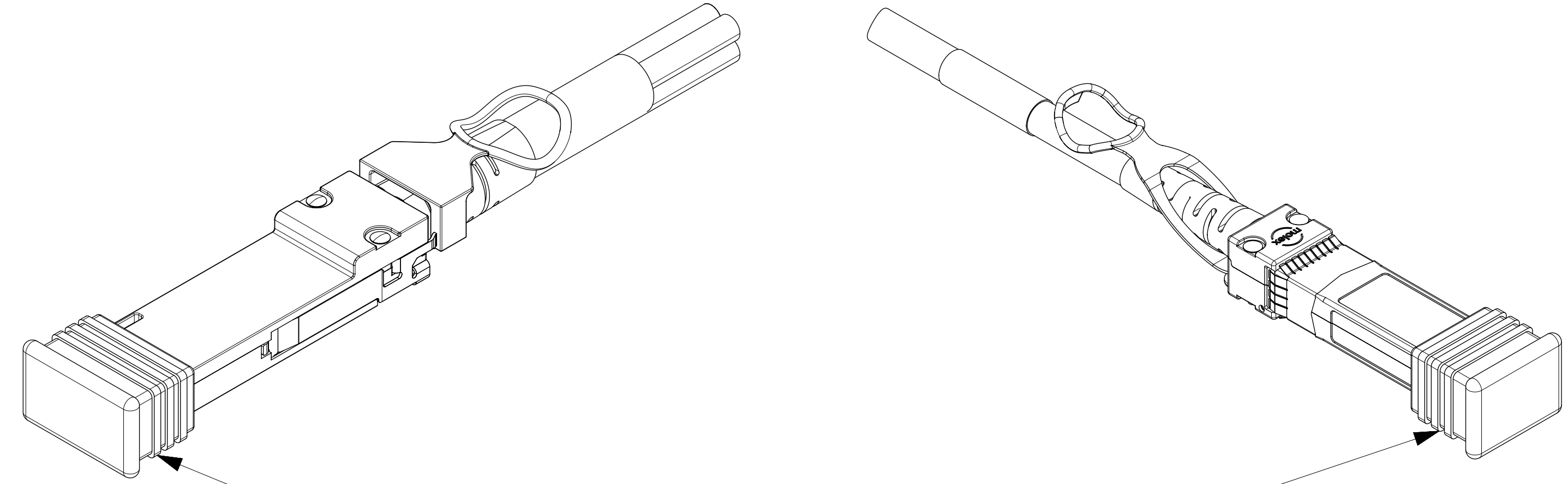
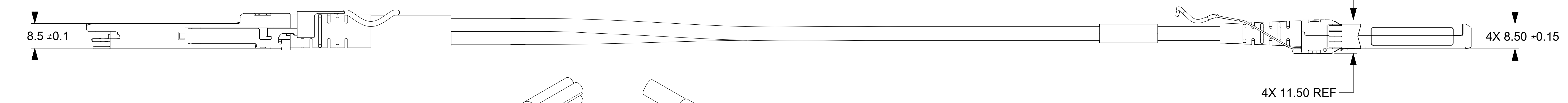


SEE SHEET 3 FOR zSFP+ LEG IDENTIFICATION LABEL DETAIL

zSFP+



DUST COVERS OPTIONAL PER P/N SEE P/N TABLE ON SHEET #3

- NOTES:
- MATERIALS:
    - RAW CABLE- 2 TWIN-AX PAIRS, PVC JACKET
    - PCB - HALOGEN FREE, UL94 V-0
    - BACKSHELLS - ZINC DIECAST WITH BRIGHT NICKEL PLATING
    - RIVETS - STAINLESS STEEL
  - IMPEDANCE - 100 OHMS DIFFERENTIAL
  - RoHS COMPLIANT, NO EXEMPTIONS

THIS DRAWING CONTAINS INFORMATION THAT IS PROPRIETARY TO MOLEX ELECTRONIC TECHNOLOGIES, LLC AND SHOULD NOT BE USED WITHOUT WRITTEN PERMISSION											
SYMBOLS		DIMENSION UNITS		SCALE		CURRENT REV DESC: UPDATED P/N TABLE					
▽ = 0		mm				EC NO: 178794					
▽ = 0		GENERAL TOLERANCES (UNLESS SPECIFIED)				DRWN: GSARVADE		2018/07/13			
▽ = 0		ANGULAR TOL ± 1.0°				CHK'D: KNAGANNA		2018/07/13			
▽ = 0		4 PLACES ±				APPR: KNAGANNA		2018/07/13			
▽ = 0		3 PLACES ±				INITIAL REVISION:					
▽ = 0		2 PLACES ± 0.13				DRWN: BCHEN06		2016/12/02		DOCUMENT NUMBER	
▽ = 0		1 PLACE ± 0.25				APPR: CHIRSCHY		2016/12/12		DOC TYPE DOC PART REVISION	
▽ = 0		0 PLACES ±				DRAFT WHERE APPLICABLE MUST REMAIN WITHIN DIMENSIONS		THIRD ANGLE PROJECTION		DRAWING SERIES	
▽ = 0						D-SIZE		100345		MATERIAL NUMBER CUSTOMER SHEET NUMBER	
										1003451000 PSD 000 F	
										SEE P/N TABLE GENERAL MARKET 1 OF 3	

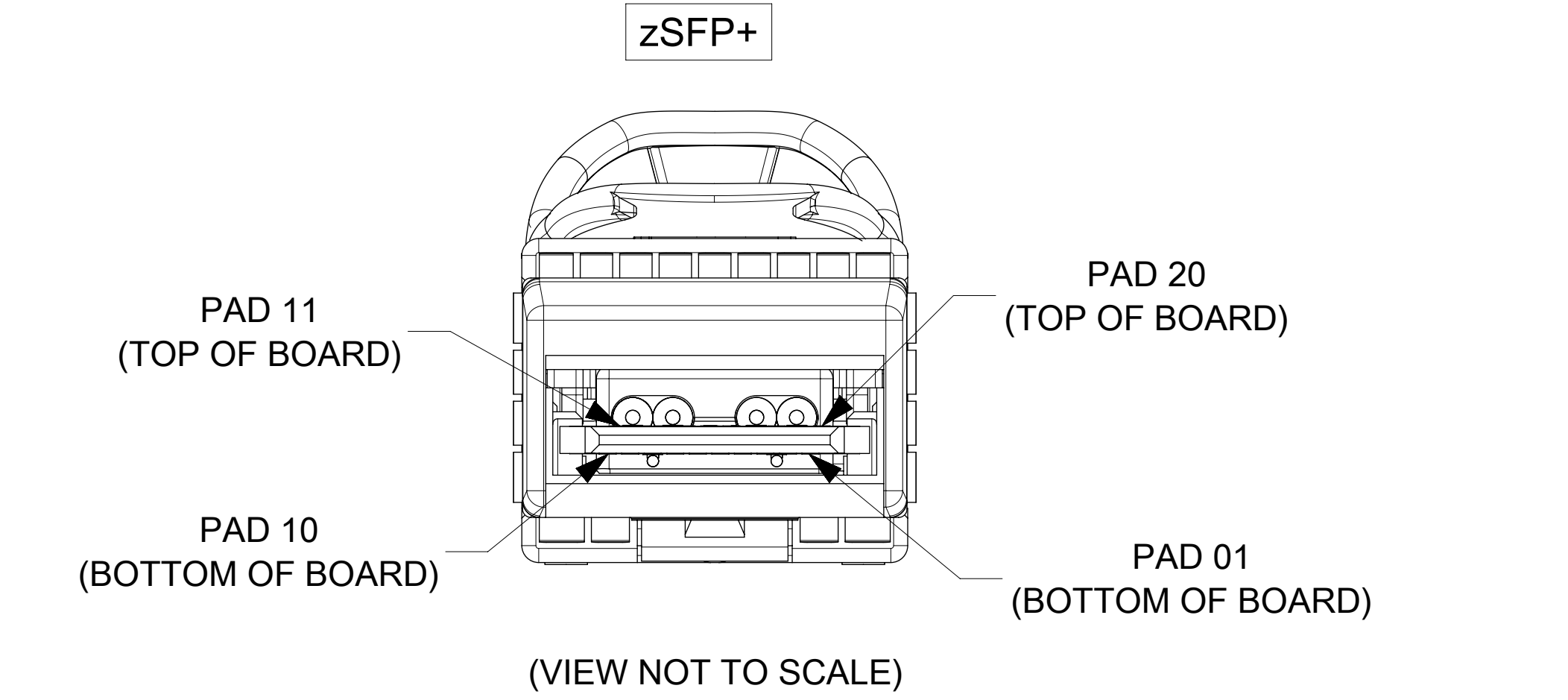
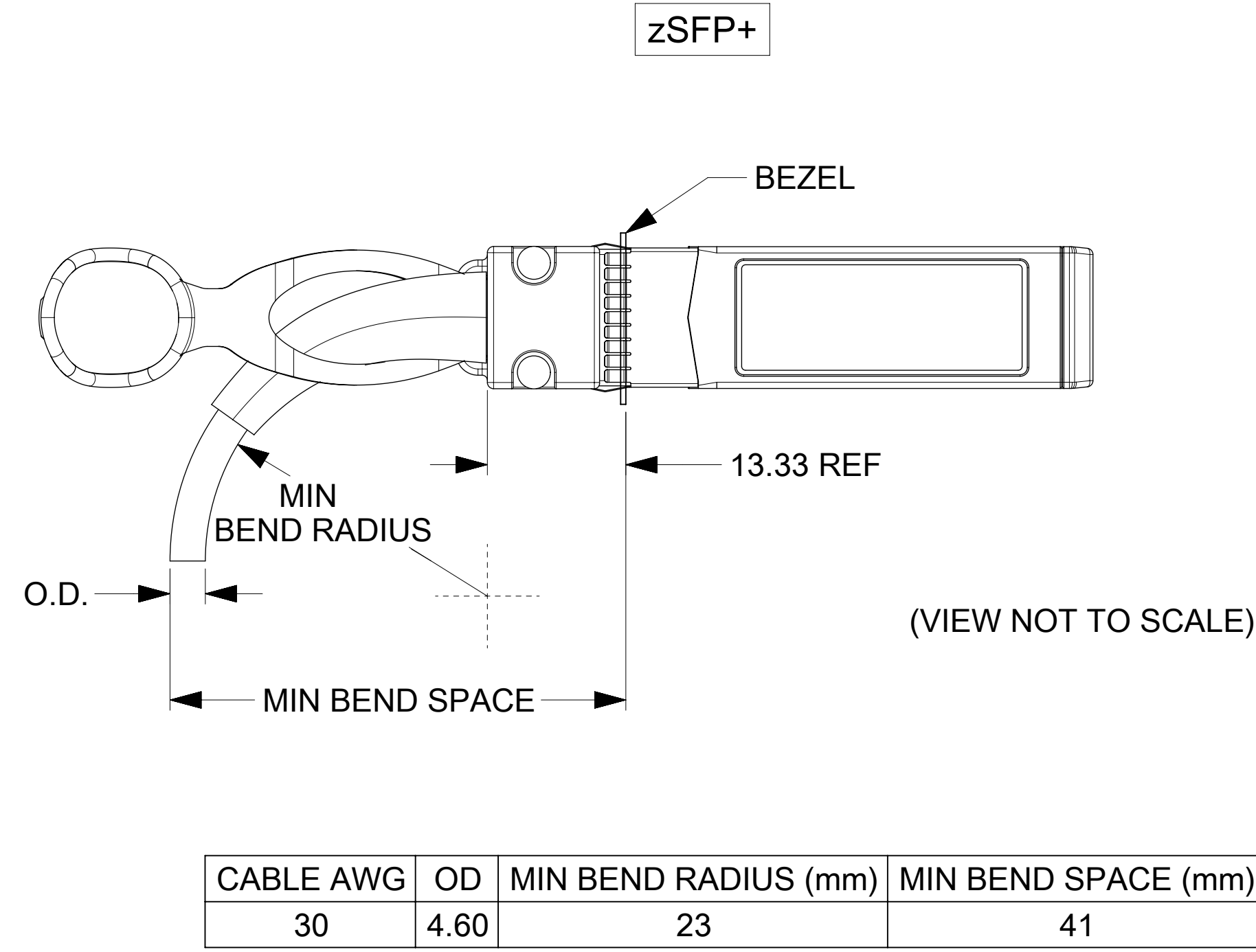
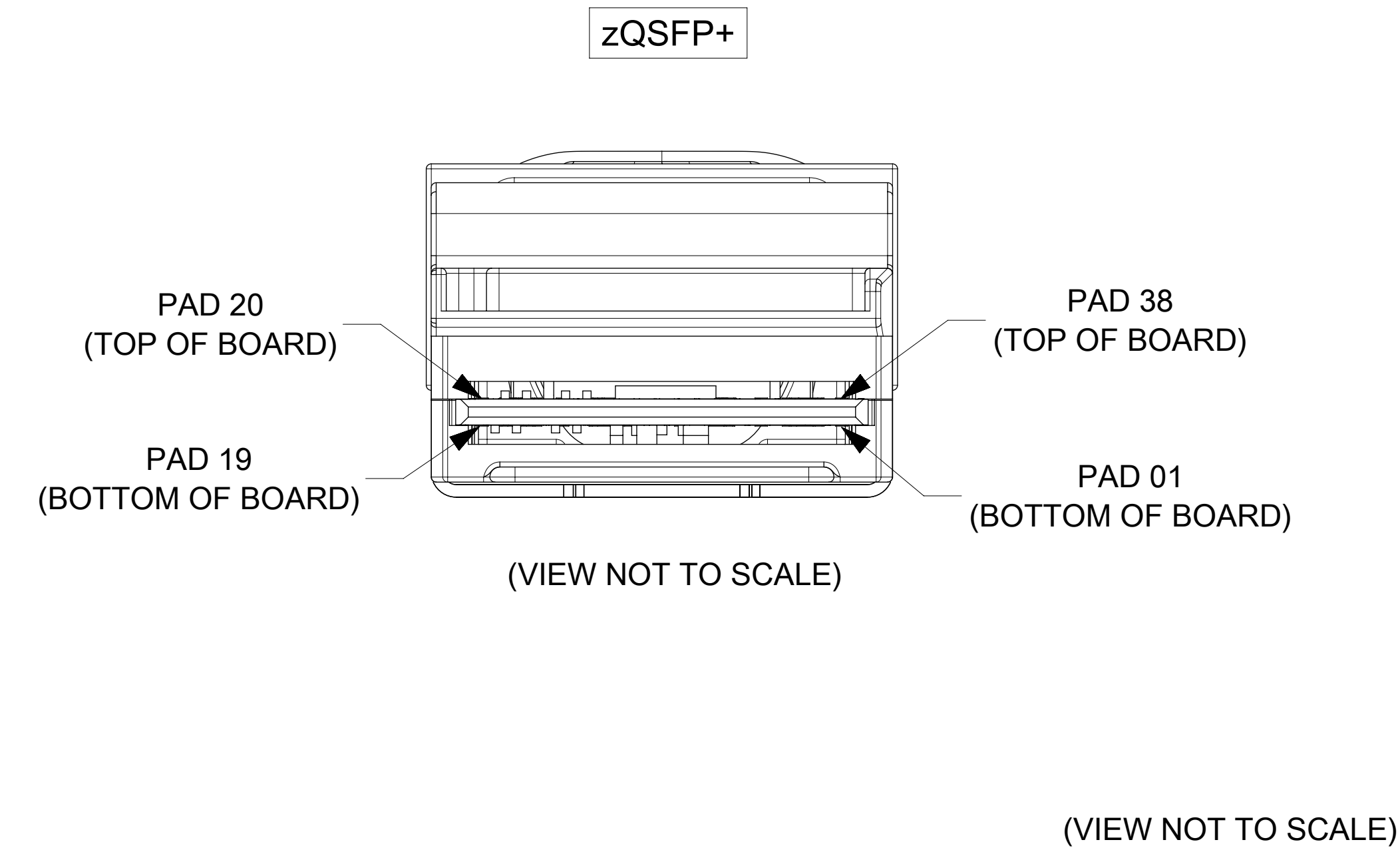
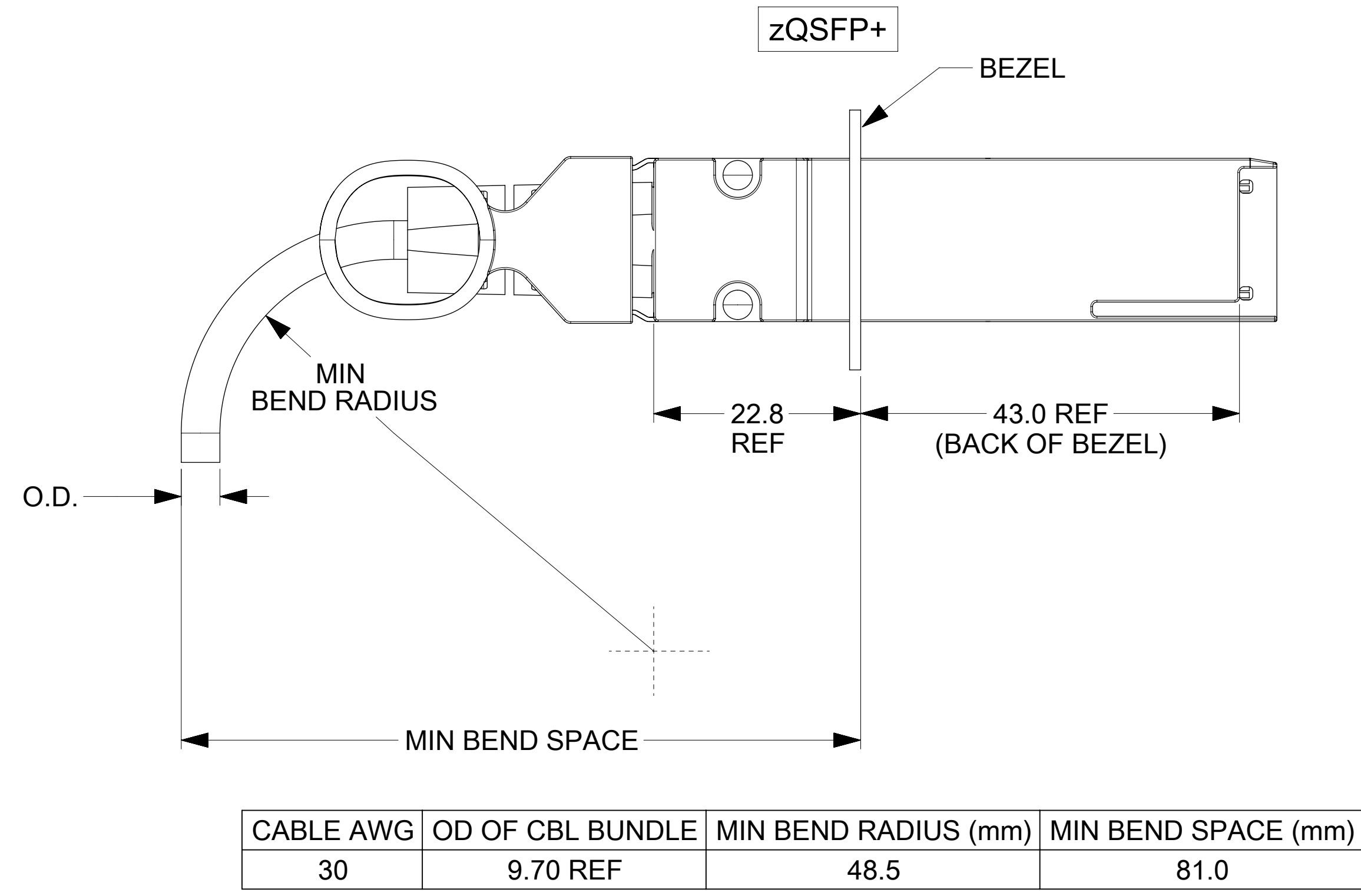
WIRING DIAGRAM					
zQSFP+		zSFP+		PLUG	
PAD	SIGNAL	SIGNAL	PAD		
38	GND	----	GND	A	
37	TX1-	--->	RD-		12
36	TX1+	--->	RD+		13
19	GND	----	GND		18
17	RX1+	<---	TD+	18	
18	RX1-	<---	TD-	19	
01	GND	----	GND	B	
02	TX2-	--->	RD-		12
03	TX2+	--->	RD+		13
20	GND	----	GND		18
22	RX2+	<---	TD+	18	
21	RX2-	<---	TD-	19	
35	GND	----	GND	C	
34	TX3-	--->	RD-		12
33	TX3+	--->	RD+		13
16	GND	----	GND		18
14	RX3+	<---	TD+	18	
15	RX3-	<---	TD-	19	
04	GND	----	GND	D	
05	TX4-	--->	RD-		12
06	TX4+	--->	RD+		13
23	GND	----	GND		18
25	RX4+	<---	TD+	18	
24	RX4-	<---	TD-	19	

LOW SPEED SIGNALS zQSFP+	
PAD	SIGNAL
08	ModSelL
09	ResetL
10	VccRx
11	SCL
12	SDA
27	ModPrsL
28	IntL
29	VccTx
30	Vcc1
31	LPMODE

LOW SPEED SIGNALS zSFP+	
PAD	SIGNAL
02	Tx_Fault
03	Tx_Disable
04	SDA
05	SCL
06	Mod_ABS
07	RS0
08	Rx_LOS
09	RS1
15	VccR
16	VccT

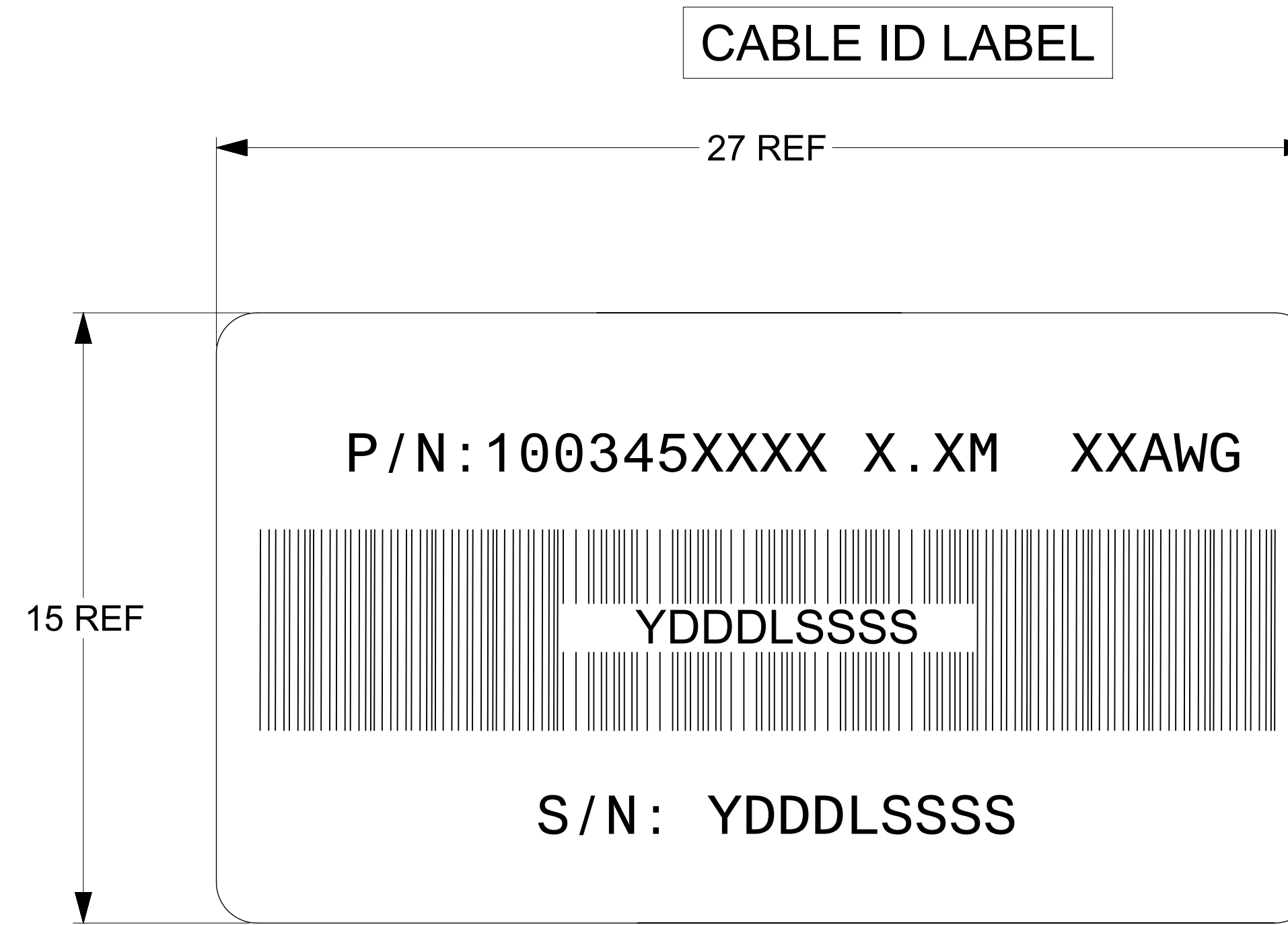
LEGEND:  
 ---- = DRAIN LINES  
 ---> = TRANSMIT TO RECEIVE ON HIGH SPEED CIRCUITS

### CABLE BEND RADIUS



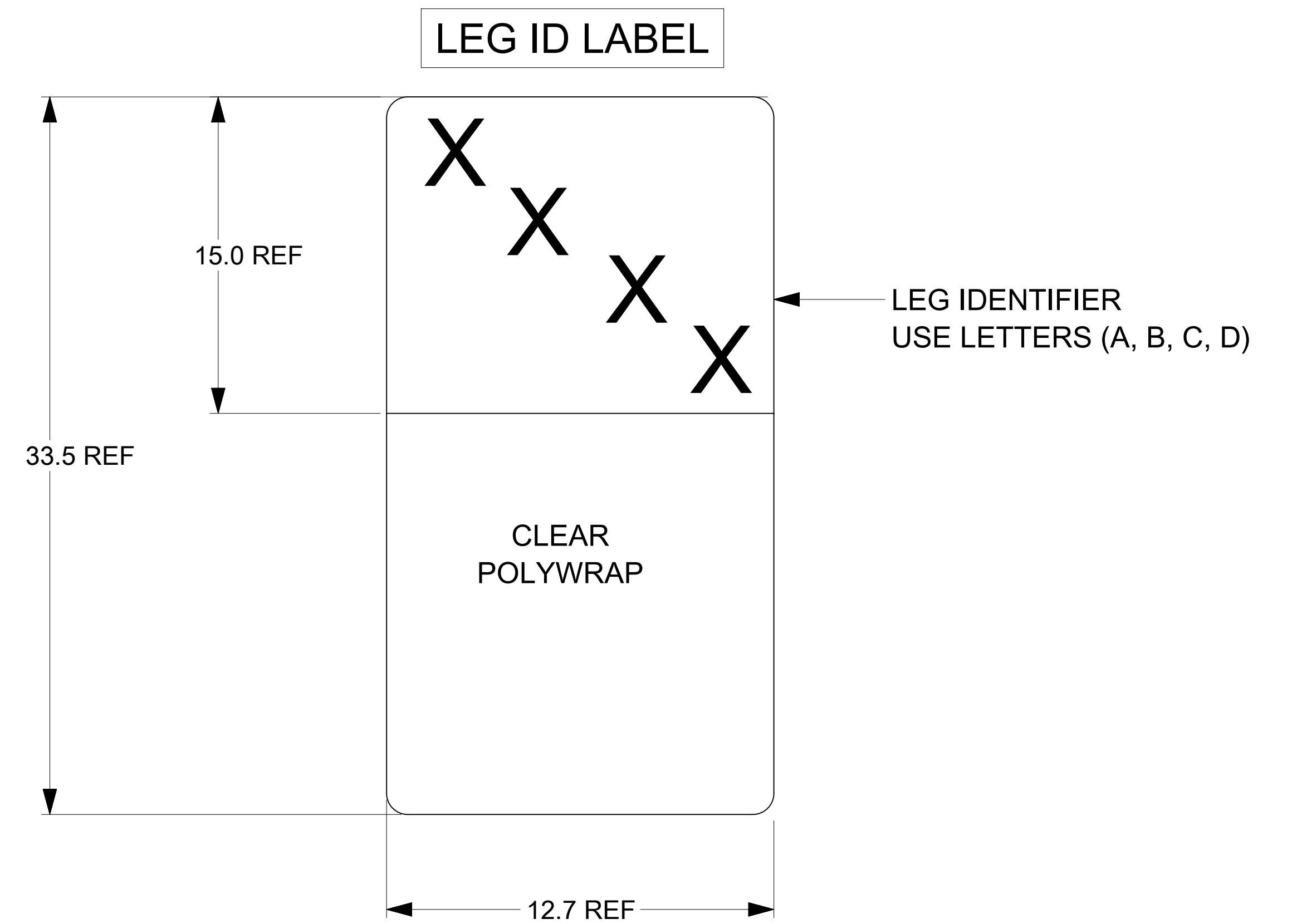
SYMBOLS	THIS DRAWING CONTAINS INFORMATION THAT IS PROPRIETARY TO MOLEX ELECTRONIC TECHNOLOGIES, LLC AND SHOULD NOT BE USED WITHOUT WRITTEN PERMISSION		CURRENT REV DESC: UPDATED P/N TABLE	
	DIMENSION UNITS	SCALE		
▽ = 0	mm			<p><b>molex</b></p> <p>ZQSFP+ TO 4ZSFP+ 25G CBL ASSY</p> <p>PRODUCT CUSTOMER DRAWING</p>
▽ = 0	GENERAL TOLERANCES (UNLESS SPECIFIED)		EC NO: 178794	
▽ = 0	ANGULAR TOL	± 1.0°	DRWN: GSARVADE 2018/07/13	
▽ = 0	4 PLACES	±	CHK'D: KNAGANNA 2018/07/13	
▽ = 0	3 PLACES	±	APPR: KNAGANNA 2018/07/13	
▽ = 0	2 PLACES	± 0.13	INITIAL REVISION:	
▽ = 0	1 PLACE	± 0.25	DRWN: BCHEN06 2016/12/02	
▽ = 0	0 PLACES	±	APPR: CHIRSCHY 2016/12/12	
□ = 0	DRAFT WHERE APPLICABLE MUST REMAIN WITHIN DIMENSIONS		THIRD ANGLE PROJECTION	DRAWING
■ = 0			SERIES	MATERIAL NUMBER
▽ = 0			D-SIZE	CUSTOMER
		100345	GENERAL MARKET	SHEET NUMBER
		SEE P/N TABLE		2 OF 3

MOLEX P/N	CABLE LENGTH (M)	CABLE L'TH TOL (mm)	AWG	WITH DUST COVER	CBL MFG
1003451052	0.5	±30	30	NO	BELDEN
1003451053	0.5	±30	30	YES	BELDEN
1003451103	1.0	±50	30	NO	BELDEN
1003451104	1.0	±50	30	YES	BELDEN
1003451153	1.5	±50	30	NO	BELDEN
1003451154	1.5	±50	30	YES	BELDEN
1003451203	2.0	±50	30	NO	BELDEN
1003451204	2.0	±50	30	YES	BELDEN
1003451253	2.5	±50	30	NO	BELDEN
1003451254	2.5	±50	30	YES	BELDEN
1003451303	3.0	±50	30	NO	BELDEN
1003451304	3.0	±50	30	YES	BELDEN
1003451353	3.5	±50	30	NO	BELDEN
1003451354	3.5	±50	30	YES	BELDEN
1003451403	4.0	±50	30	NO	BELDEN
1003451404	4.0	±50	30	YES	BELDEN



P/N (SEE P/N TABLE)  
X.XM = LENGTH AS SHOWN IN TABLE  
XXAWG = AWG SIZE

YDDLSSSS  
Y = LAST DIGIT OF THE YEAR  
DDD = DAY OF THE YEAR  
L = LOCATION  
1 = US  
2 = MEXICO  
3 = CHINA  
4 = PHILIPPINES  
SSSS = (0001-9999)



SYMBOLS	THIS DRAWING CONTAINS INFORMATION THAT IS PROPRIETARY TO MOLEX ELECTRONIC TECHNOLOGIES, LLC AND SHOULD NOT BE USED WITHOUT WRITTEN PERMISSION			CURRENT REV DESC: UPDATED P/N TABLE			<b>molex</b>		
	DIMENSION UNITS	SCALE							
▽ = 0	mm			EC NO: 178794			ZQSFP+ TO 4ZSFP+ 25G CBL ASSY		
▽ = 0	GENERAL TOLERANCES (UNLESS SPECIFIED)								
▽ = 0	ANGULAR TOL ± 1.0°			DRWN: GSARVADE 2018/07/13			PRODUCT CUSTOMER DRAWING		
▽ = 0	4 PLACES ±								
▽ = 0	3 PLACES ±			CHK'D: KNAGANNA 2018/07/13			DOCUMENT NUMBER		
▽ = 0	2 PLACES ± 0.13								
▽ = 0	1 PLACE ± 0.25			INITIAL REVISION:			DOC TYPE		
▽ = 0	0 PLACES ±								
☒ = 0	DRAFT WHERE APPLICABLE MUST REMAIN WITHIN DIMENSIONS			DRWN: BCHEN06 2016/12/02			DOC PART		
☒ = 0	THIRD ANGLE PROJECTION								
☒ = 0	D-DRAWING			APPR: CHIRSCHY 2016/12/12			REVISION		
☒ = 0	D-SIZE								
				SERIES			MATERIAL NUMBER		
				100345			1003451000		
				SEE P/N TABLE			CUSTOMER		
				GENERAL MARKET			SHEET NUMBER		
				3 OF 3					