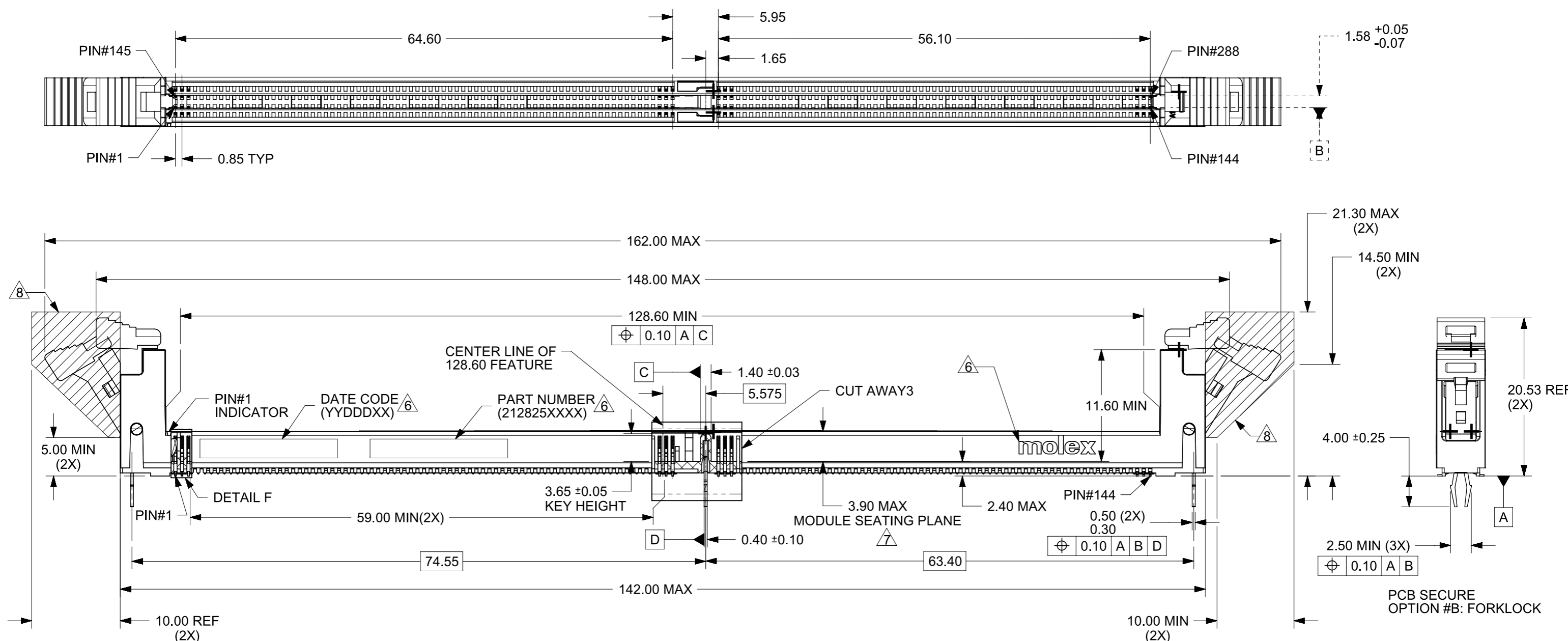
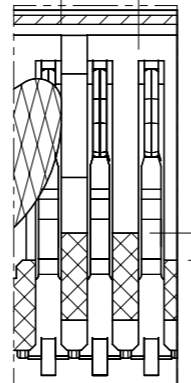


DDR4 288CKTS VERT SMT (FORKLOCK)



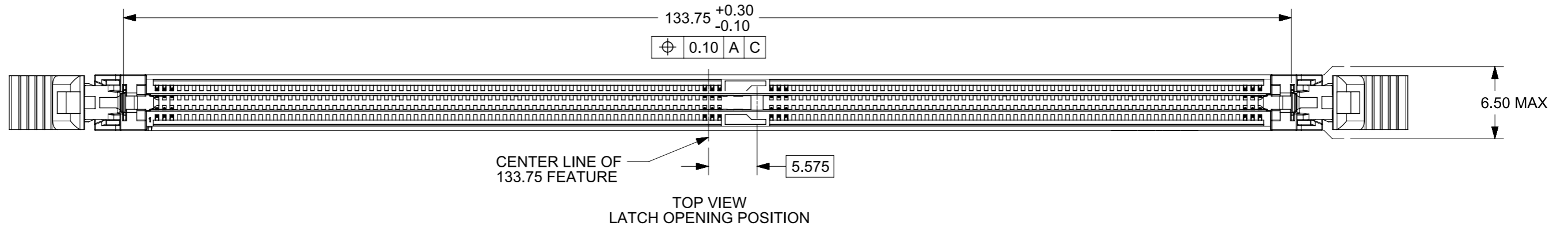
2X 5.00 BUMPER ZONE
0.50



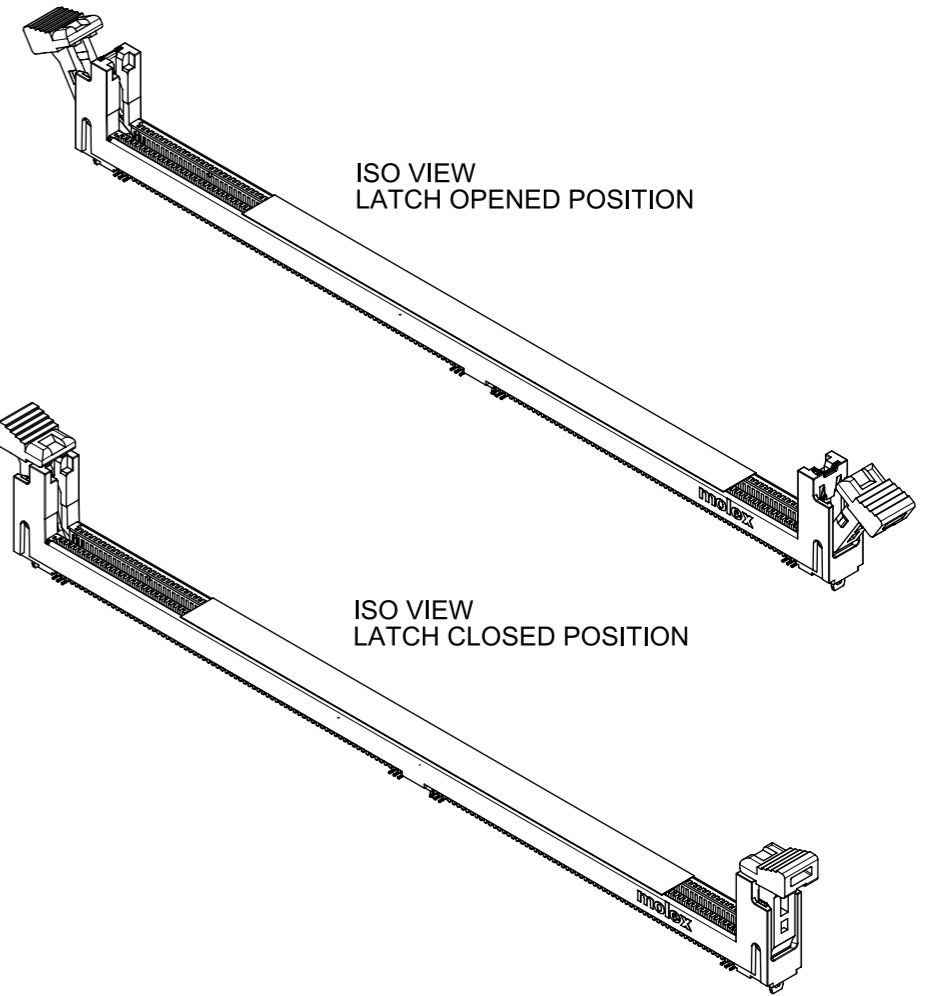
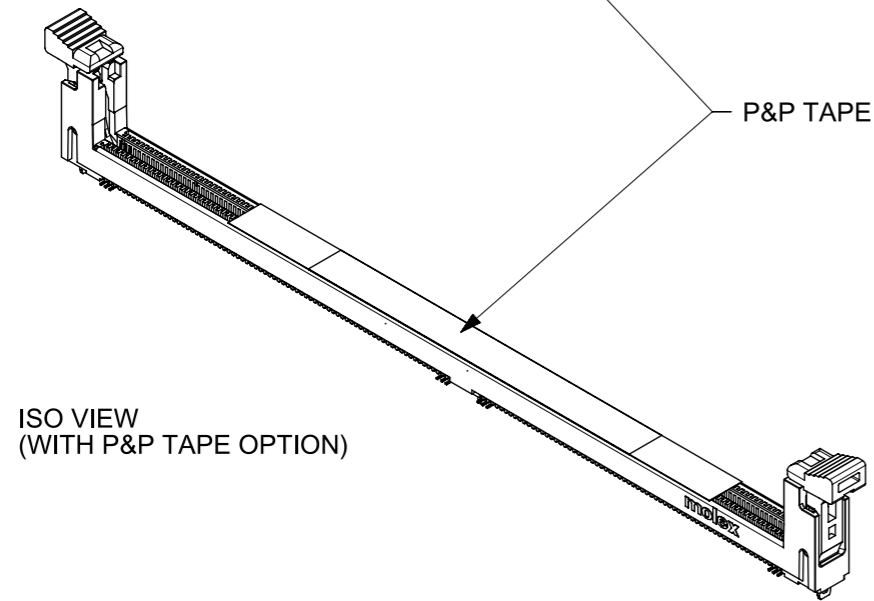
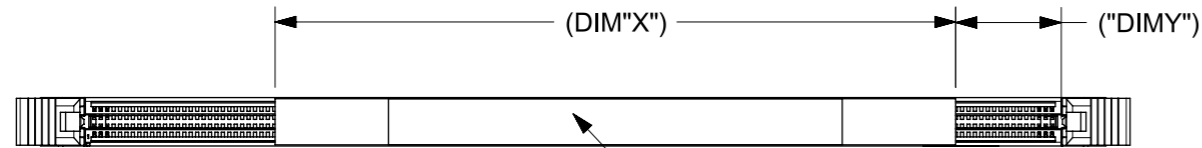
DETAIL F : BUMPER ZONE

THIS DESIGN IS BASED ON DESIGN OBJECTIVES AND IS STRICTLY TENTATIVE. IT MAY CHANGE BASED ON RESULTS OF ADDITIONAL DESIGN REVIEWS AND VERIFICATIONS.

FUNCTIONAL SYMBOLS	THIS DRAWING CONTAINS INFORMATION THAT IS PROPRIETARY TO MOLEX ELECTRONIC TECHNOLOGIES, LLC AND SHOULD NOT BE USED WITHOUT WRITTEN PERMISSION	
	DIMENSION UNITS	SCALE
$\nabla_A = 0$	MM	NTS
$\nabla_E = 0$	GENERAL TOLERANCES (UNLESS SPECIFIED)	
$\nabla_{E'} = 0$	ANGULAR TOL $\pm 0.5^\circ$	
DIVISIONAL SYMBOLS	4 PLACES	\pm
	3 PLACES	\pm
	2 PLACES	± 0.200
	1 PLACE	\pm
	0 PLACES	\pm
DRAFT WHERE APPLICABLE MUST REMAIN WITHIN DIMENSIONS		THIRD ANGLE PROJECTION
STATUS: Production		DRAWING
DRWN: Limon Lin		SERIES
CHK'D: Limon Lin		212825
APPR: Chien Ching Teh		2024-07-01
		2024-07-02
		2024-07-02
CURRENT REV DESC: ADD GENERAL TOLERANCE AND MYLAR LENGTH		DOCUMENT NUMBER
		2128250001
		DOC TYPE
		PSD
		DOC PART
		000
		REVISION
		A8
		SHEET NUMBER
		2 OF 7

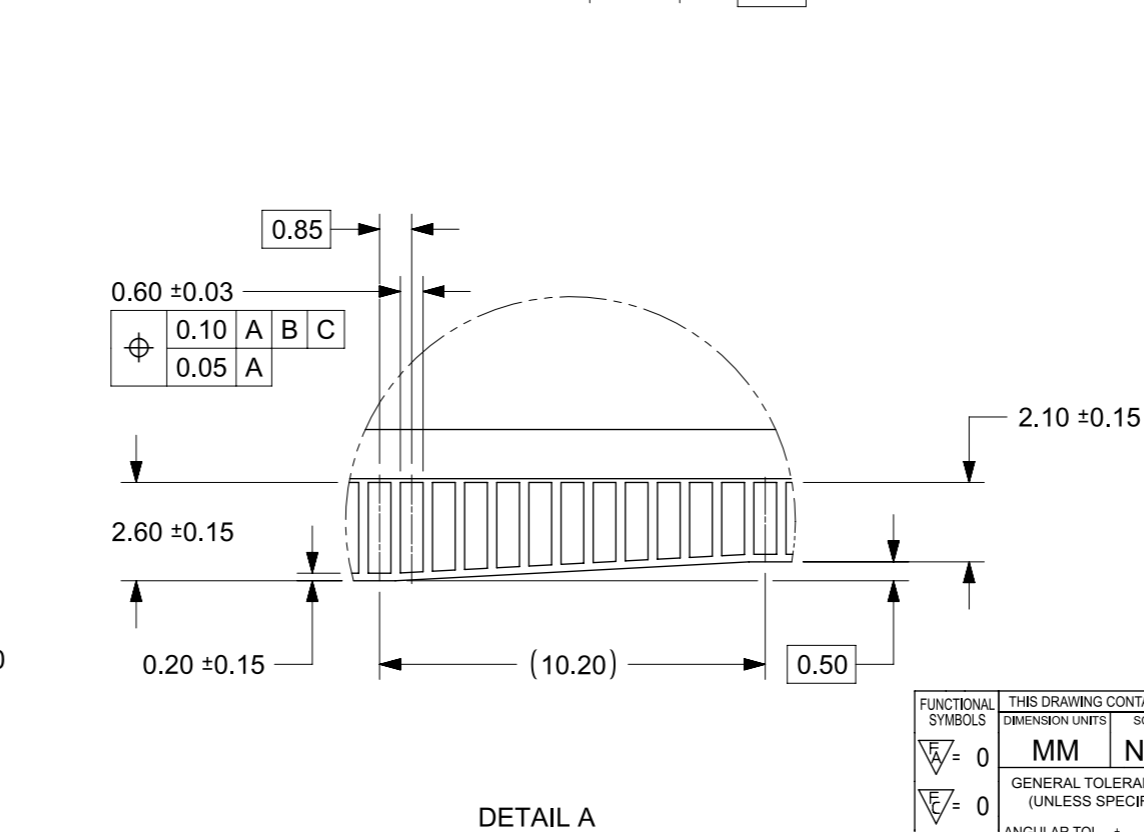
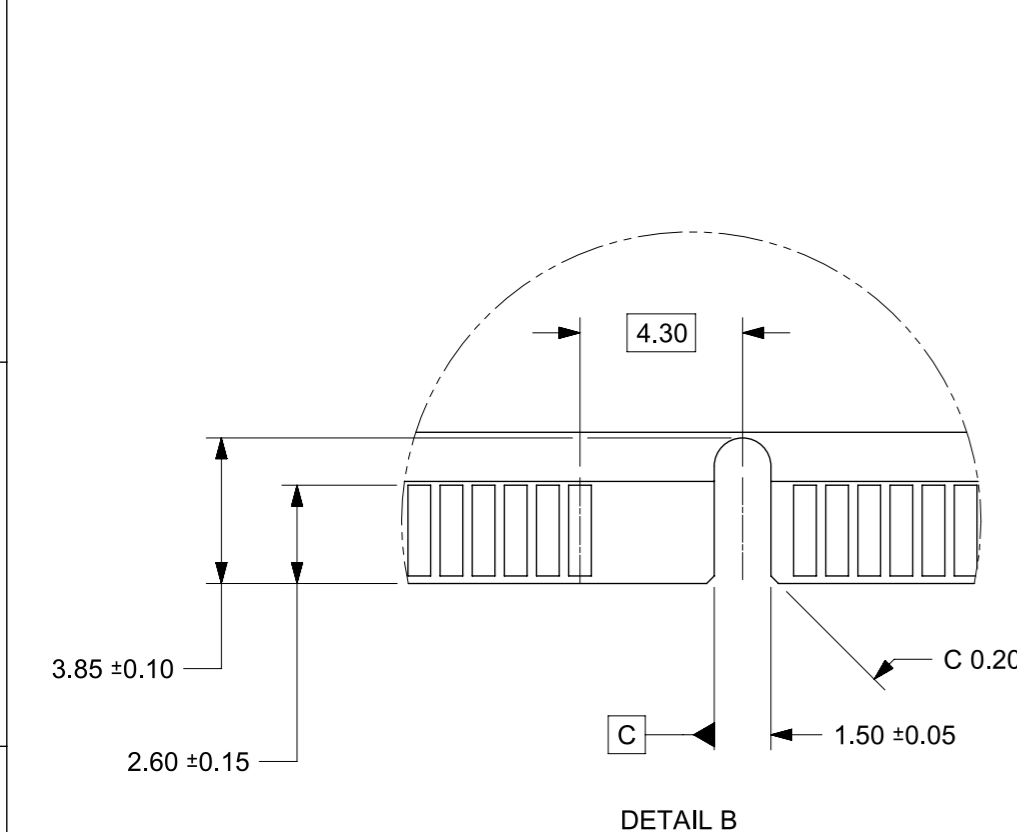
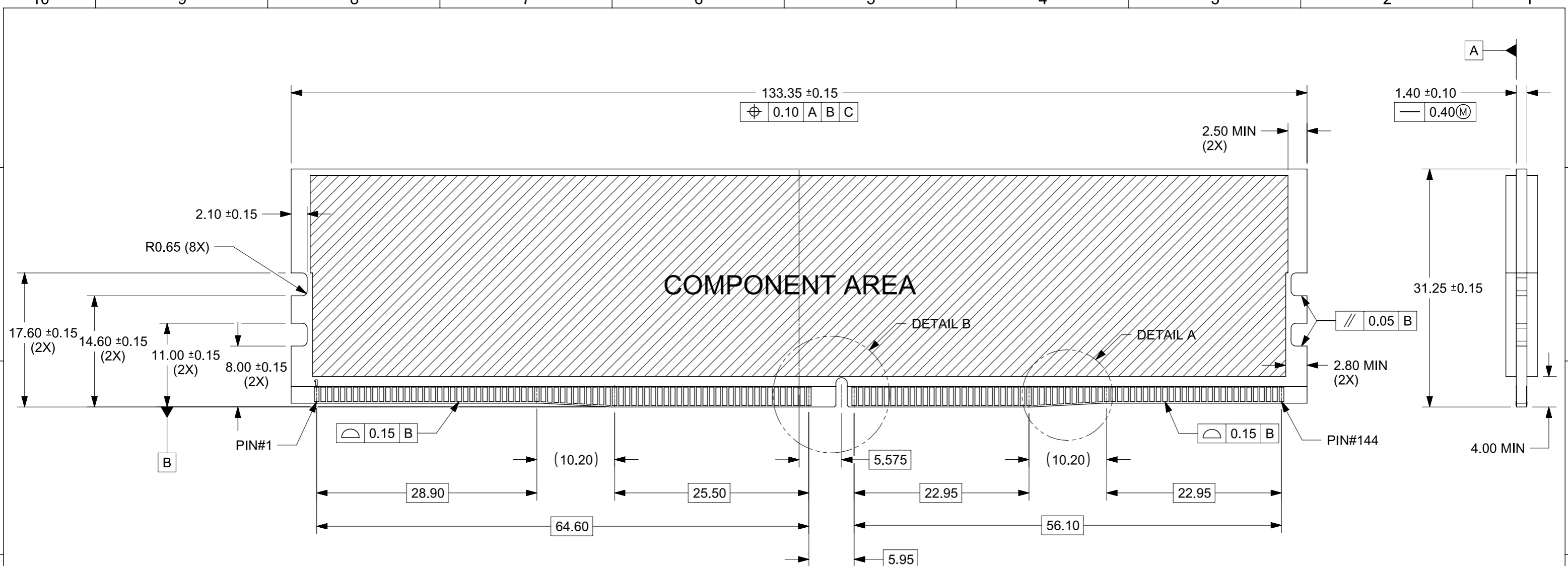


VIEWS WITH P&P TAPE OPTION



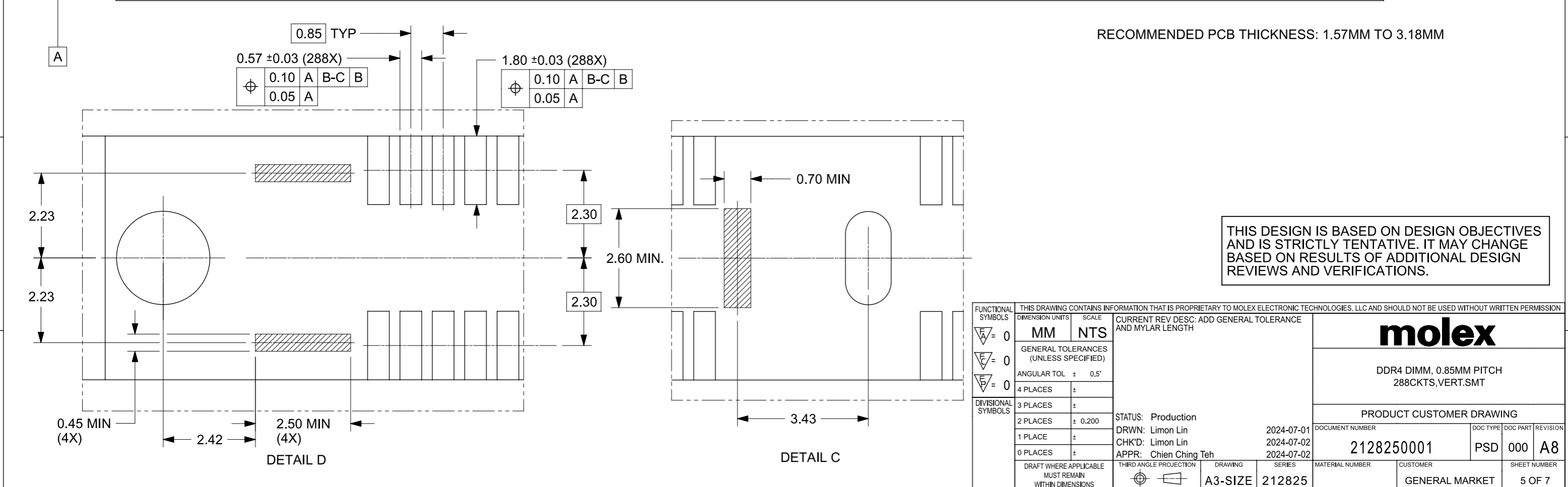
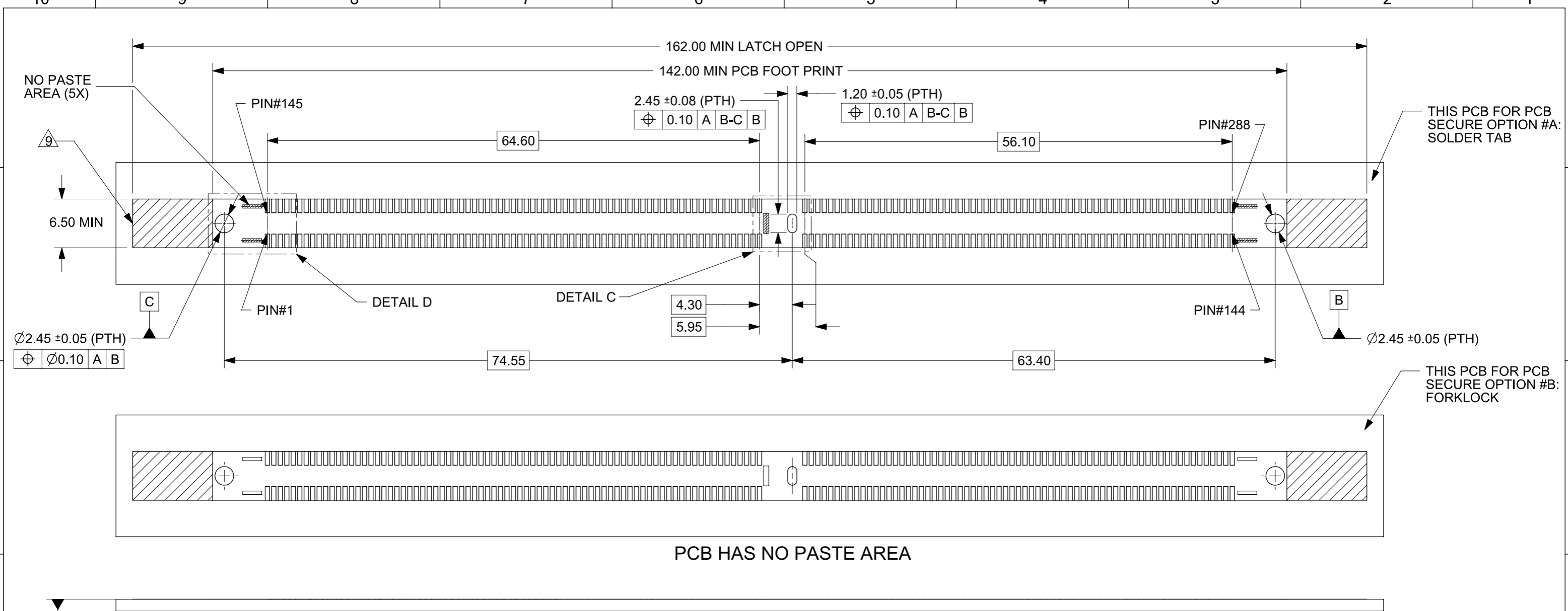
THIS DESIGN IS BASED ON DESIGN OBJECTIVES AND IS STRICTLY TENTATIVE. IT MAY CHANGE BASED ON RESULTS OF ADDITIONAL DESIGN REVIEWS AND VERIFICATIONS.

FUNCTIONAL SYMBOLS $\nabla_A = 0$ $\nabla_F = 0$ $\nabla_P = 0$ DIVISIONAL SYMBOLS	THIS DRAWING CONTAINS INFORMATION THAT IS PROPRIETARY TO MOLEX ELECTRONIC TECHNOLOGIES, LLC AND SHOULD NOT BE USED WITHOUT WRITTEN PERMISSION		CURRENT REV DESC: ADD GENERAL TOLERANCE AND MYLAR LENGTH			
	DIMENSION UNITS MM	SCALE NTS	molex			
	GENERAL TOLERANCES (UNLESS SPECIFIED) ANGULAR TOL $\pm 0.5^\circ$ 4 PLACES \pm		DDR4 DIMM, 0.85MM PITCH 288CKTS, VERT. SMT			
	3 PLACES \pm 2 PLACES ± 0.200 1 PLACE \pm 0 PLACES \pm		PRODUCT CUSTOMER DRAWING			
DRAFT WHERE APPLICABLE MUST REMAIN WITHIN DIMENSIONS		THIRD ANGLE PROJECTION	DRAWING A3-SIZE	SERIES 212825	MATERIAL NUMBER 2128250001	
		STATUS: Production DRWN: Limon Lin CHK'D: Limon Lin APPR: Chien Ching Teh	2024-07-01 2024-07-02 2024-07-02	DOCUMENT NUMBER 2128250001	DOC TYPE PSD	
				DOC PART 000	REVISION A8	
				CUSTOMER GENERAL MARKET	SHEET NUMBER 3 OF 7	



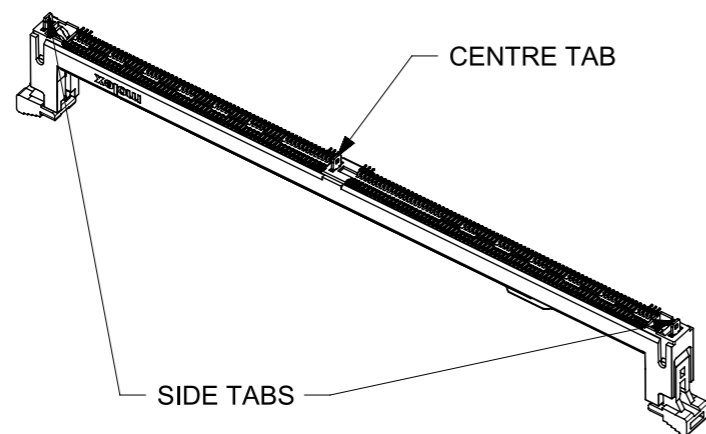
THIS DESIGN IS BASED ON DESIGN OBJECTIVES AND IS STRICTLY TENTATIVE. IT MAY CHANGE BASED ON RESULTS OF ADDITIONAL DESIGN REVIEWS AND VERIFICATIONS.

FUNCTIONAL SYMBOLS		THIS DRAWING CONTAINS INFORMATION THAT IS PROPRIETARY TO MOLEX ELECTRONIC TECHNOLOGIES, LLC AND SHOULD NOT BE USED WITHOUT WRITTEN PERMISSION	
$\nabla_A = 0$	MM	SCALE	CURRENT REV DESC: ADD GENERAL TOLERANCE AND MYLAR LENGTH
$\nabla_B = 0$	NTS		
$\nabla_C = 0$	GENERAL TOLERANCES (UNLESS SPECIFIED)		
	ANGULAR TOL ± 0.5°		
	4 PLACES ±		
	3 PLACES ±		
	2 PLACES ± 0.200		
	1 PLACE ±		
	0 PLACES ±		
DIVISIONAL SYMBOLS		STATUS: Production	
		DRWN: Limon Lin	
		CHK'D: Limon Lin	
		APPR: Chien Ching Teh	
		2024-07-01	
		2024-07-02	
		2024-07-02	
DRAFT WHERE APPLICABLE MUST REMAIN WITHIN DIMENSIONS		THIRD ANGLE PROJECTION	DRAWING
		ϕ	A3-SIZE
		SERIES	212825
		MATERIAL NUMBER	GENERAL MARKET
		CUSTOMER	GENERAL MARKET
		SHEET NUMBER	4 OF 7
		DOCUMENT NUMBER	2128250001
		DOC TYPE	PSD
		DOC PART	000
		REVISION	A8
		molex	
		DDR4 DIMM, 0.85MM PITCH 288CKTS, VERT. SMT	
		PRODUCT CUSTOMER DRAWING	



THIS DRAWING CONTAINS INFORMATION THAT IS PROPRIETARY TO MOLEX ELECTRONIC TECHNOLOGIES, LLC AND SHOULD NOT BE USED WITHOUT WRITTEN PERMISSION									
FUNCTIONAL SYMBOLS	DIMENSION UNITS	SCALE	CURRENT REV DESC: ADD GENERAL TOLERANCE AND MYLAR LENGTH						
▽A = 0	MM	NTS							
▽E = 0	GENERAL TOLERANCES (UNLESS SPECIFIED)								
▽V = 0	ANGULAR TOL ± 0.5°								
DIVISIONAL SYMBOLS	4 PLACES ±								
	3 PLACES ±								
	2 PLACES ± 0.200								
	1 PLACE ±								
	0 PLACES ±								
DRAFT WHERE APPLICABLE MUST REMAIN WITHIN DIMENSIONS			THIRD ANGLE PROJECTION	DRAWING	SERIES	MATERIAL NUMBER	CUSTOMER	SHEET NUMBER	
				A3-SIZE	212825		GENERAL MARKET	5 OF 7	
			STATUS: Production		2024-07-01				
			DRWN: Limon Lin		2024-07-02				
			CHK'D: Limon Lin		2024-07-02				
			APPR: Chien Ching Teh		2024-07-02				
				DOCUMENT NUMBER		DOC TYPE		DOC PART	
				2128250001		PSD		000 A8	
				PRODUCT CUSTOMER DRAWING					
				molex					
				DDR4 DIMM, 0.85MM PITCH					
				288CKTS, VERT. SMT					

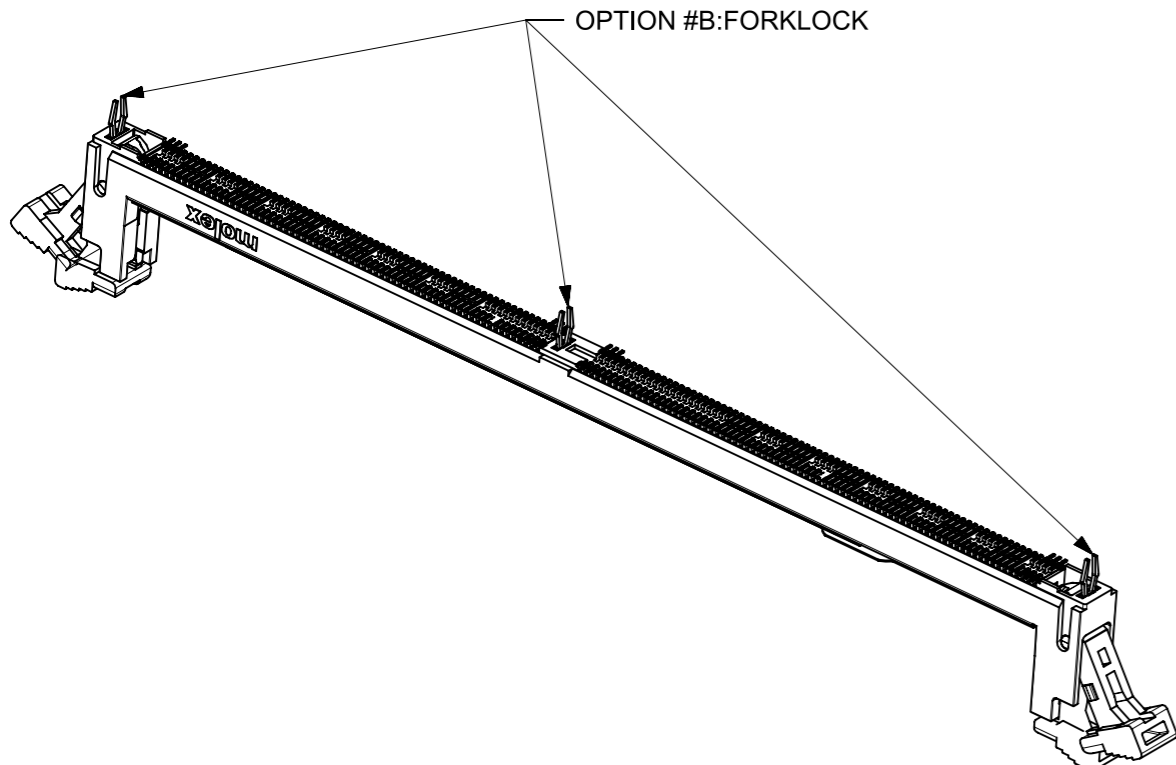
CKT SIZE	ASSEMBLY PART NO.	HOUSING COLOUR	LATCH COLOUR	P&P OPTION	PCB SECURE	DIM"P"	DIM"Q"		PLATING OPTION		PRODUCT SPEC. NO.	PACKAGING SPEC. NO.
							SIDE TAB	CENTRE TAB	TERMINAL	METAL TAB		
288	2128251502	BLACK	BLACK	NO	OPTION#A: SOLDER TAB	2.00	2.10	CONTACT AREA 0.76µM/30µIN MIN GOLD ON CONTACT 2.54µM/100µIN MIN NICKEL UNDERPLATE	METAL TAB	PS-78730-001	PK-78730-001	
	2128251503		OFF-WHITE									
	2128251504	OFF-WHITE	BLACK									
	2128251505		OFF-WHITE									
	2128251506	BLUE	BLACK									
	2128251507		OFF-WHITE									
	2128252502	BLACK	BLACK	YES (X=60mm, Y=28.97mm)								
	2128252503		OFF-WHITE									
	2128252504	OFF-WHITE	BLACK									
	2128252505		OFF-WHITE									
	2128252506	BLUE	BLACK									
	2128252507		OFF-WHITE									
	2128251652	BLACK	BLACK	NO								
	2128251653		OFF-WHITE									
	2128251654	OFF-WHITE	BLACK									
	2128251655		OFF-WHITE									
	2128251658	YELLOW	OFF-WHITE	YES (X=60mm, Y=28.97mm)								
	2128252652	BLACK	BLACK									
	2128252653		OFF-WHITE									
	2128252654	OFF-WHITE	BLACK									
	2128252655		OFF-WHITE									
	2128252656	BLUE	BLUE					YES (X=90mm, Y=19.54mm)				
	2128252657	BLUE	OFF-WHITE									
	2128252658	YELLOW	OFF-WHITE									
	2128253652	BLACK	BLACK									
	2128253656	BLUE	BLUE									
	2128253653	BLACK	OFF-WHITE									
	2128253654	OFF-WHITE	BLACK	YES (X=90mm, Y=19.54mm)								
2128253655	OFF-WHITE											
2128253657	BLUE	OFF-WHITE										
2128253658	YELLOW	YELLOW										
2128253659	BLACK	YELLOW										
2128253660	BLUE	BLUE										
2128253710		BLUE										
2128253712	YELLOW	OFF-WHITE	YES (X=60mm, Y=28.97mm)									
2128253714	BLACK	BLACK										
2128252720	BLUE	BLUE	YES (X=60mm, Y=28.97mm)									
2128252722	BLACK	BLACK										



THIS DESIGN IS BASED ON DESIGN OBJECTIVES AND IS STRICTLY TENTATIVE. IT MAY CHANGE BASED ON RESULTS OF ADDITIONAL DESIGN REVIEWS AND VERIFICATIONS.

FUNCTIONAL SYMBOLS FA = 0 FE = 0 FE = 0	THIS DRAWING CONTAINS INFORMATION THAT IS PROPRIETARY TO MOLEX ELECTRONIC TECHNOLOGIES, LLC AND SHOULD NOT BE USED WITHOUT WRITTEN PERMISSION		CURRENT REV DESC: ADD GENERAL TOLERANCE AND MYLAR LENGTH	
	DIMENSION UNITS	SCALE		
	MM	NTS		
	GENERAL TOLERANCES (UNLESS SPECIFIED)			
ANGULAR TOL ± 0.5°		4 PLACES ±		
DIVISIONAL SYMBOLS		3 PLACES ±		
2 PLACES ± 0.200		1 PLACE ±		
0 PLACES ±		DRAFT WHERE APPLICABLE MUST REMAIN WITHIN DIMENSIONS		
THIRD ANGLE PROJECTION		DRAWING	SERIES	MATERIAL NUMBER
		A3-SIZE	212825	GENERAL MARKET
STATUS: Production		DRWN: Limon Lin	2024-07-01	DOCUMENT NUMBER
CHK'D: Limon Lin		2024-07-02	2128250001	DOC TYPE
APPR: Chien Ching Teh		2024-07-02	PSD	DOC PART
			000	REVISION
			A8	SHEET NUMBER
			6 OF 7	

10	9	8	7	6	5	4		3	2	1
						CTKT SIZE	ASSEMBLY PART NO.			
						TERMINAL	FORKLOCK			
288	2128254001	BLACK	BLACK	NO	OPTION#B: FORKLOCK	<u>CONTACT AREA</u> 0.76µM/30µIN MIN GOLD ON CONTACT 2.54µM/100µIN MIN NICKEL UNDERPLATE <u>TAIL AREA</u> 2.54µM/100µIN MIN TIN ON SOLDER TAILS 1.27µM/50µIN MIN NICKEL UNDERPLATE	1.0 MICROMETER(40 MICROINCH) MIN TIN OVERALL (PRE-PLATED)	PS-78730-001	PK-78730-001	
	2128254002	OFF-WHITE	OFF-WHITE							
	2128254004	BLACK	BLACK							
	2128254005		OFF-WHITE							
	2128254008	BLUE	BLUE	YES (X=60mm, Y=28.97mm)		<u>CONTACT AREA</u> 0.38µM/15µIN GOLD ON CONTACT 2.54µM/100µIN MIN NICKEL UNDERPLATE <u>TAIL AREA</u> 2.54µM/100µIN MIN TIN ON SOLDER TAILS 1.27µM/50µIN MIN NICKEL UNDERPLATE	1.0 MICROMETER(40 MICROINCH) MIN TIN OVERALL (PRE-PLATED)	PS-78730-002		
	2128254003	BLACK	BLACK							
	2128254006		BLACK						BLACK	
	2128254007			YES (X=30mm, Y=49.54mm)						



THIS DESIGN IS BASED ON DESIGN OBJECTIVES AND IS STRICTLY TENTATIVE. IT MAY CHANGE BASED ON RESULTS OF ADDITIONAL DESIGN REVIEWS AND VERIFICATIONS.

THIS DRAWING CONTAINS INFORMATION THAT IS PROPRIETARY TO MOLEX ELECTRONIC TECHNOLOGIES, LLC AND SHOULD NOT BE USED WITHOUT WRITTEN PERMISSION									
FUNCTIONAL SYMBOLS	DIMENSION UNITS	SCALE	CURRENT REV DESC: ADD GENERAL TOLERANCE AND MYLAR LENGTH						
▽A = 0	MM	NTS	molex DDR4 DIMM, 0.85MM PITCH 288CKTS, VERT.SMT PRODUCT CUSTOMER DRAWING						
▽E = 0	GENERAL TOLERANCES (UNLESS SPECIFIED)								
▽V = 0	ANGULAR TOL ± 0.5°								
	4 PLACES ±								
DIVISIONAL SYMBOLS	3 PLACES ±		STATUS: Production		DOCUMENT NUMBER: 2128250001 DOC TYPE: PSD DOC PART: 000 REVISION: A8 MATERIAL NUMBER: 212825 CUSTOMER: GENERAL MARKET SHEET NUMBER: 7 OF 7				
	2 PLACES ± 0.200		DRWN: Limon Lin						
	1 PLACE ±		CHK'D: Limon Lin						
	0 PLACES ±		APPR: Chien Ching Teh						
DRAFT WHERE APPLICABLE MUST REMAIN WITHIN DIMENSIONS			THIRD ANGLE PROJECTION	DRAWING	SERIES				
				A3-SIZE	212825				