

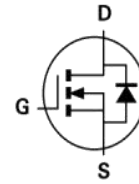


# CS5N60A

## N-Channel Enhancement Mode Power MOSFET

### MAIN CHARACTERISTICS

$I_D$	5A
$V_{DS}$	600V
$R_{DS(on)-typ}$ (@ $V_{GS}=10V$ )	1.8Ω



### FEATURES

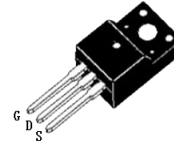
- Fast Switching
- Low ON Resistance
- Low Gate Charge
- 100% Single Pulse avalanche energy Test

### APPLICATIONS

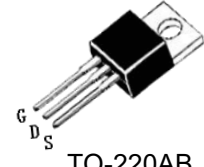
- Power switch circuit of adaptor and charger.

### MECHANICAL DATA

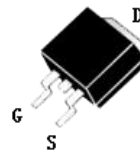
- Case: Molded plastic
- Mounting Position: Any
- Molded Plastic: UL Flammability Classification Rating 94V-0
- Lead free in compliance with EU RoHS 2011/65/EU directive
- Solder bath temperature 275°C maximum, 10s per JESD 22-B106



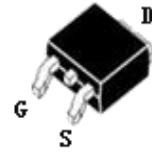
TO-220F



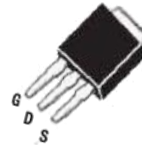
TO-220AB



TO-263



TO-252



TO-251

### Product specification classification

Part Number	Package	Mode Name	Pack
CS5N60A2	TO-220F (0.5mm)	CS5N60A	Tube
CS5N60A1	TO-220AB	CS5N60A	Tube
CS5N60A3	TO-263	CS5N60A	Tube
CS5N60A3-R	TO-263	CS5N60A	Tape
CS5N60A5-R	TO-252	CS5N60A	Tape
CS5N60A4	TO-251	CS5N60A	Tube



# CS5N60A

## N-Channel Enhancement Mode Power MOSFET

### Maximum Ratings at Tc=25°C unless otherwise specified

Characteristics	Symbol	Value			Unit
		220AB/263	220F	251/252	
Drain-Source Voltage	$V_{DS}$	600			V
Gate-Source Voltage	$V_{GS}$	±30			V
Continue Drain Current	$I_D$	5			A
Pulsed Drain Current (Note1)	$I_{DM}$	20			A
Power Dissipation	$P_D$	75	30	75	W
Single Pulse Avalanche Energy (Note1)	$E_{AS}$	200			mJ
Operating Temperature Range	$T_J$	150			°C
Storage Temperature Range	$T_{STG}$	-55 to +150			°C
Thermal Resistance, Junction to Case	$R_{\theta JC}$	1.67	4.17	1.67	°C/W
Thermal Resistance, Junction to Ambient	$R_{\theta JA}$	100	100	100	°C/W

Note1:Pulse test: 300 μs pulse width, 2 % duty cycle

### Electrical Characteristics at Tc=25°C unless otherwise specified

Characteristics	Test Condition	Symbol	Min	Typ	Max	Unit
Drain-Source Breakdown Voltage	$V_{GS} = 0 V, I_D = 250 \mu A$	$BV_{DSS}$	600	-	-	V
Drain-Source Leakage Current	$V_{DS} = 600 V, V_{GS} = 0 V$	$I_{DSS}$	-	-	1	μA
Gate Leakage Current	$V_{GS} = \pm 30 V, V_{DS} = 0 V$	$I_{GSS}$	-	-	±100	nA
Gate-Source Threshold Voltage	$V_{DS} = V_{GS}, I_D = 250 \mu A$	$V_{GS(th)}$	2	-	4	V
Drain-Source On-State Resistance	$V_{GS} = 10 V, I_D = 2.5 A$	$R_{DS(on)}$	-	1.8	2.2	Ω
Forward Transconductance	$V_{DS} = 15 V, I_D = 2.5 A$	gfs	-	3.5	-	S
Input Capacitance	$V_{GS} = 0 V, V_{DS} = 25 V,$ $f = 1 MHz$	$C_{iss}$	-	667	-	pF
Output Capacitance		$C_{oss}$	-	53	-	pF
Reverse Transfer Capacitance		$C_{rss}$	-	4	-	pF
Turn-on Delay Time(Note2)		$t_{d(ON)}$	-	14	-	ns
Rise Time(Note2)	$I_D = 5 A, V_{DD} = 300 V,$ $R_G = 10 \Omega$	$t_r$	-	15	-	ns
Turn-Off Delay Time(Note2)		$t_{d(OFF)}$	-	34	-	ns
Fall Time(Note2)		$t_f$	-	13	-	ns
Total Gate Charge(Note2)	$I_D = 5 A, V_{DD} = 480 V,$ $V_{GS} = 10 V$	$Q_G$	-	12	-	nC
Gate to Source Charge(Note2)		$Q_{GS}$	-	2	-	nC
Gate to Drain Charge(Note2)		$Q_{GD}$	-	4	-	nC

### Source-Drain Diode Characteristics at Ta=25°C unless otherwise specified

Characteristics	Test Condition	Symbol	Min.	Typ.	Max.	Unit
Maximun Body-Diode Continuous Current		$I_S$	-	-	5	A
Maximun Body-Diode Pulsed Current(Note2)		$I_{SM}$	-	-	20	A
Drain-Source Diode Forward Voltage	$I_{SD} = 5 A$	$V_{SD}$	-	-	1.5	V
Reverse Recovery Time(Note2)	$I_{SD} = 5 A, V_{GS} = 0 V,$ $dIF / dt = 100 A/\mu s$	trr	-	250	-	ns
Reverse Recovery Charge(Note2)		Qrr	-	1	-	μC

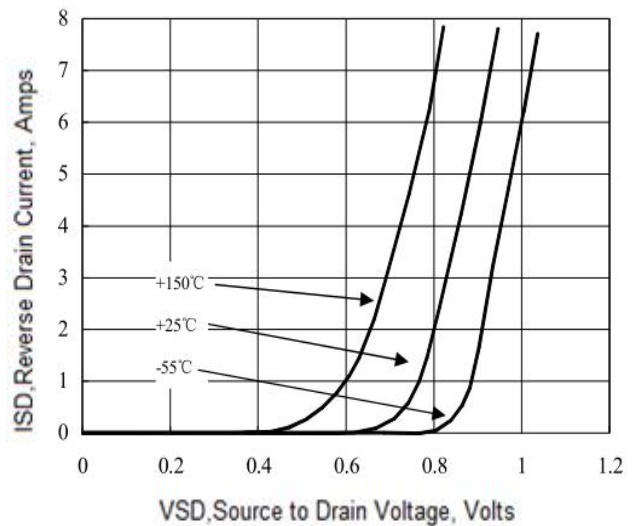
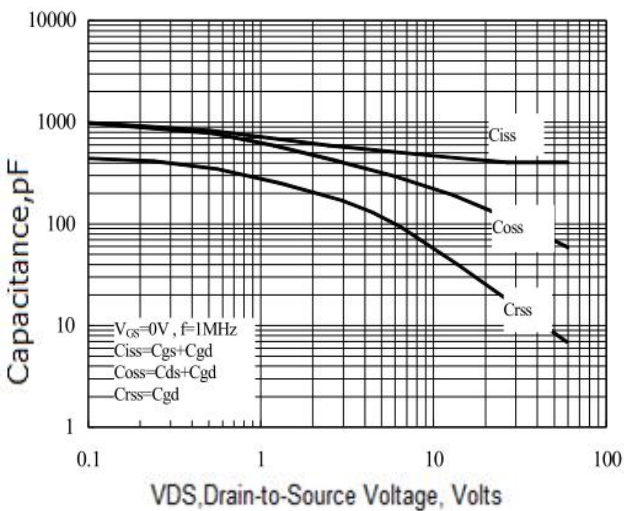
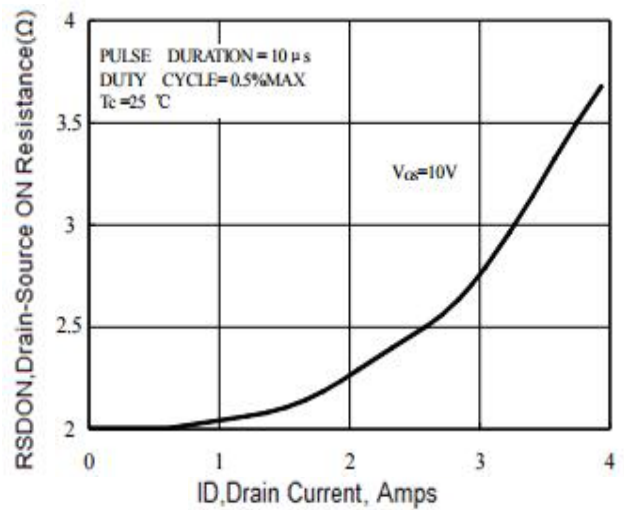
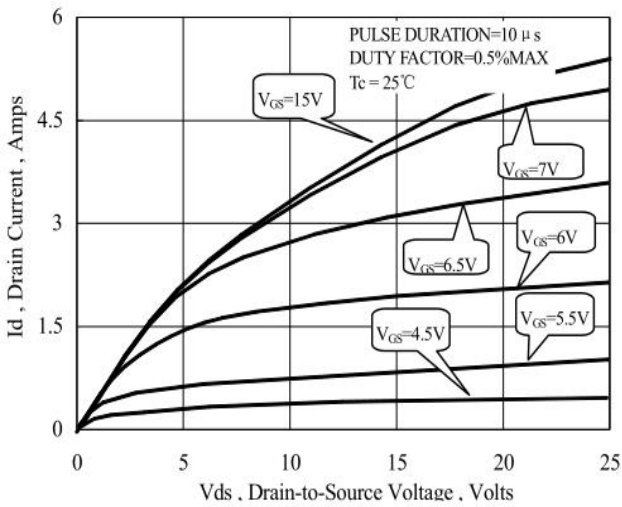
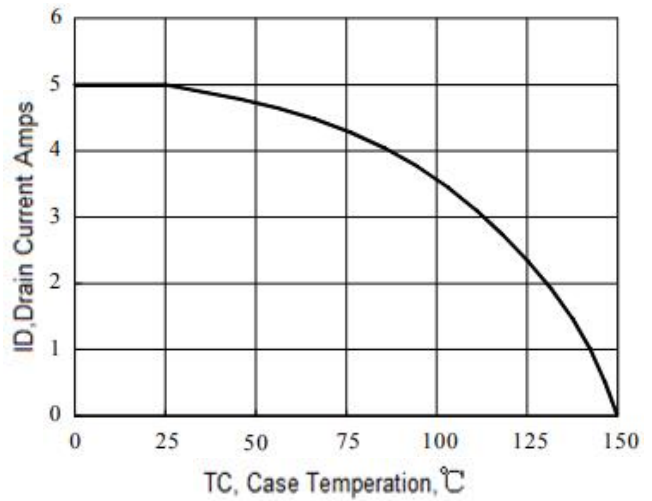
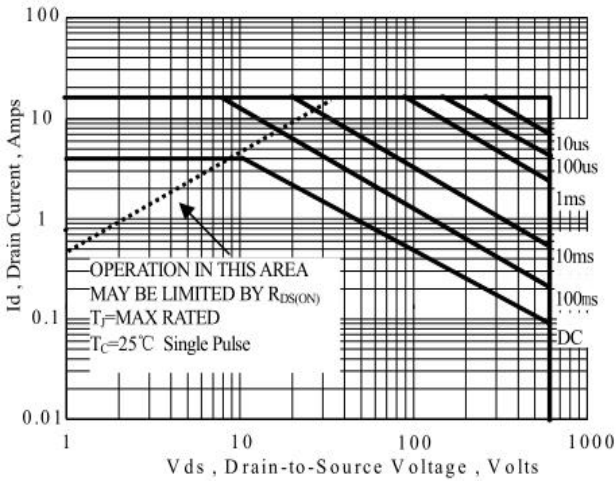
Note2:Pulse test: 300 μs pulse width, 2 % duty cycle



# CS5N60A

## N-Channel Enhancement Mode Power MOSFET

### RATINGS AND CHARACTERISTIC CURVES



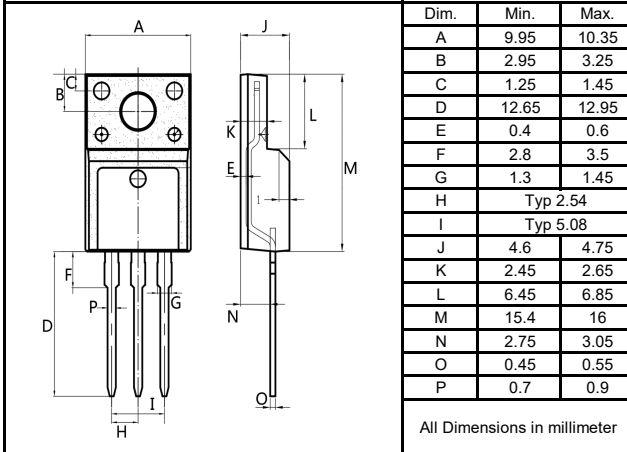


# CS5N60A

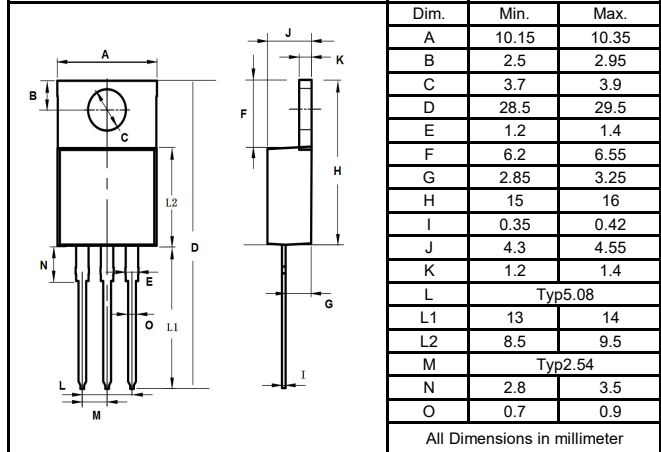
## N-Channel Enhancement Mode Power MOSFET

### Package Outline Dimensions millimeters

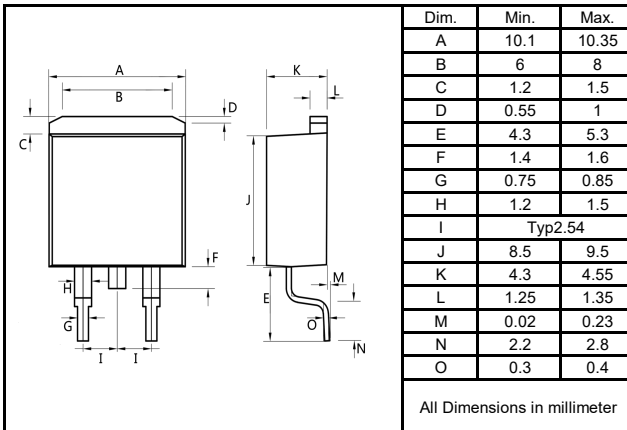
T0-220F



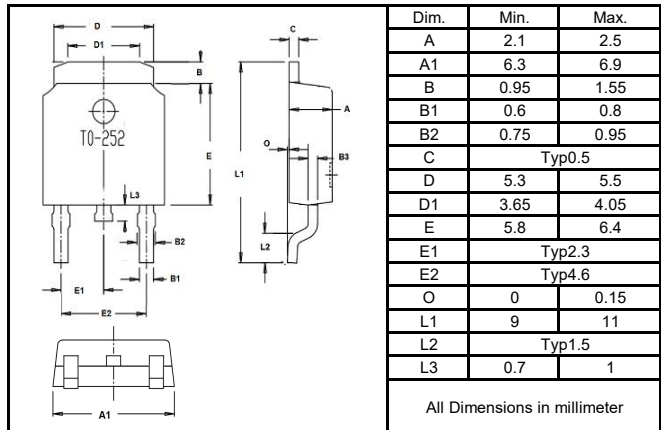
T0-220AB



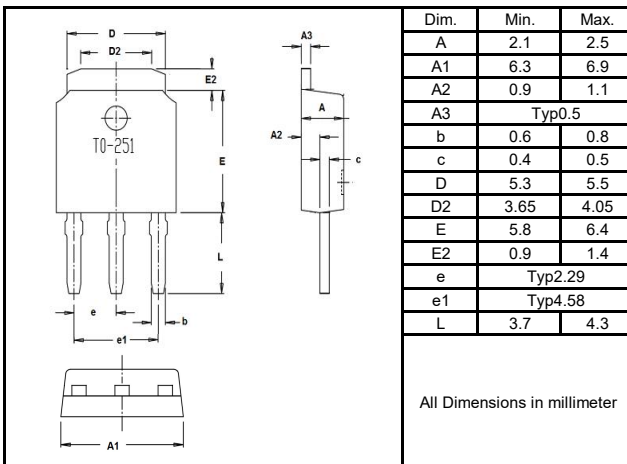
T0-263



T0-252



T0-251

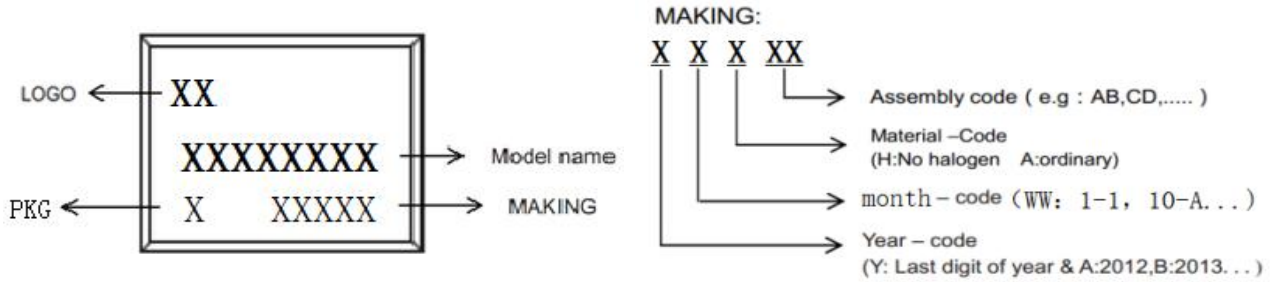




# CS5N60A

## N-Channel Enhancement Mode Power MOSFET

### Marking on the body



### packing instruction

PKG	最小包装	内盒	外箱
TO-220F TO-220AB TO-263			
	50pcs/管	1000pcs/盒	5000pcs/箱
TO-252			
	2500pcs/盘	5000pcs/盒	25000pcs/箱
TO-263-R			
	800pcs/盘	1600pcs/盒	8000pcs/箱
TO-251			
	80pcs/管	4000pcs/盒	24000pcs/箱

### Notice

All product, product specifications and data are subject to change without notice to improve. The right to explain is owned by LINGXUN electronics company.

Confirm that operation temperature is within the specified range described in the product specification. Avoid applying power exceeding normal rated power; exceeding the power rating under steady-state loading condition may negatively affect product performance and reliability.

LINGXUN electronics shall not be in any way responsible or liable for failure induced under deviant condition from what is defined in this document.