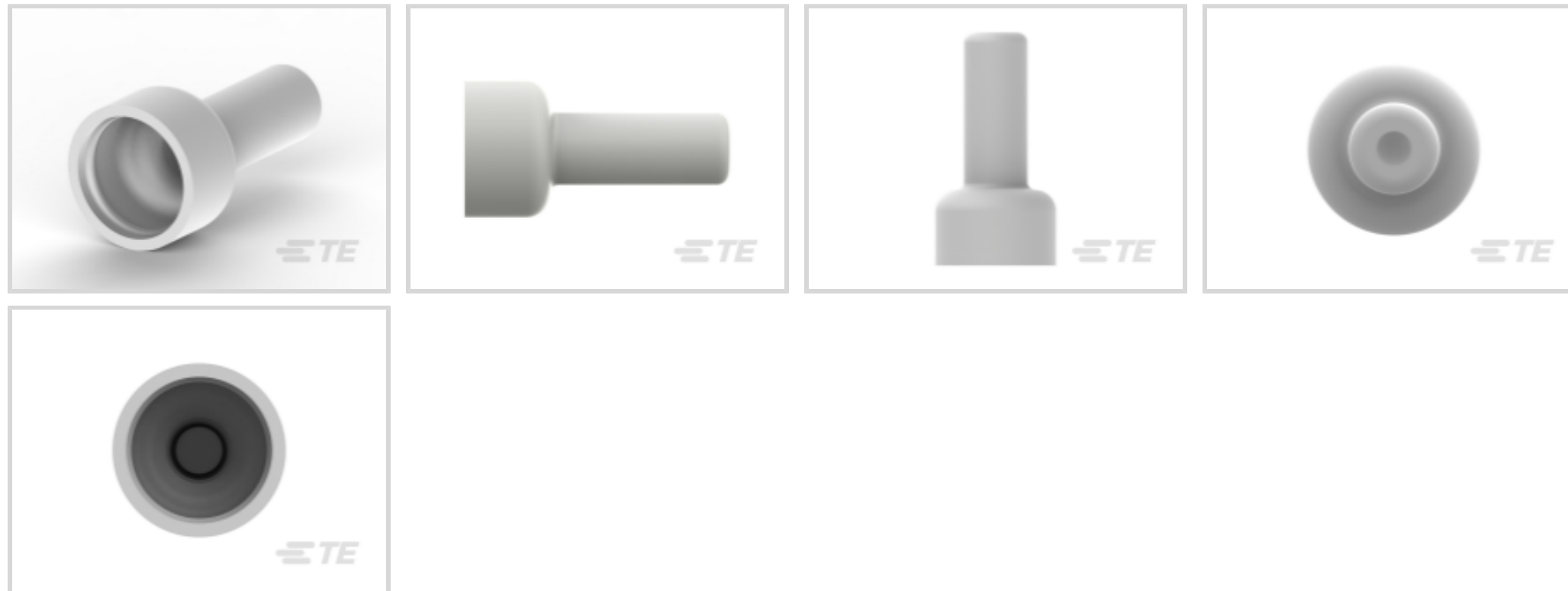




TE Internal #: 8-35115-1
 Closed End Splice, 22 – 14 AWG Wire Size, .3 – 2 mm² Wire Size,
 509 – 5180 CMA Wire Size, Copper, 4 Serration, Length 17.27 mm [.68 in], Splices

[View on TE.com >](#)

Terminals & Splices > Splices



Splice Type: **Closed End Splice**

Wire Size: **.3 – 2 mm²**

Sealable: **No**

Compatible Insulation Diameter Range: **6.35 mm [.25 in]**

Features

Product Type Features

Splice Type	Closed End Splice
Sealable	No
Compatible With Discrete Wire Type	Solid, Stranded
Wire Insulation Support Retention Type	Insulation Support

Configuration Features

Number of Serrations	4
Compatible With Wire & Cable Type	Discrete Wire

Body Features

Product Weight	.554 g
----------------	--------

Contact Features

Terminal Plating Material	Tin
Contact Base Material	Copper
Barrel Type	Closed

Dimensions

Wire Size	509 – 5180 CMA
-----------	----------------



Compatible Insulation Diameter Range	6.35 mm[.25 in]
--------------------------------------	-----------------

Product Length	17.27 mm[.68 in]
----------------	------------------

Usage Conditions

Insulation Option	Fully Insulated
-------------------	-----------------

Operating Temperature Range	105 °C[221 °F]
-----------------------------	----------------

Operation/Application

Compatible With Wire Base Material	Copper
------------------------------------	--------

Identification Marking

Splice Marking	ECN
----------------	-----

Industry Standards

Government Qualified Splice	No
-----------------------------	----

Packaging Features

Packaging Quantity	100
--------------------	-----

Packaging Method	Loose Piece
------------------	-------------

Product Compliance

[For compliance documentation, visit the product page on TE.com>](#)

EU RoHS Directive 2011/65/EU	Compliant
------------------------------	-----------

EU ELV Directive 2000/53/EC	Compliant
-----------------------------	-----------

China RoHS 2 Directive MIIT Order No 32, 2016	No Restricted Materials Above Threshold
---	---

EU REACH Regulation (EC) No. 1907/2006	Current ECHA Candidate List: JUNE 2024 (241) Candidate List Declared Against: JUNE 2024 (241) Does not contain REACH SVHC
--	---

Halogen Content	Low Halogen - Br, Cl, F, I < 900 ppm per homogenous material. Also BFR/CFR/PVC Free
-----------------	---

Solder Process Capability	Not applicable for solder process capability
---------------------------	--

Product Compliance Disclaimer

This information is provided based on reasonable inquiry of our suppliers and represents our current actual knowledge based on the information they provided. This information is subject to change. The part numbers that TE has identified as EU RoHS compliant have a maximum concentration of 0.1% by weight in homogenous materials for lead, hexavalent chromium, mercury, PBB, PBDE, DBP, BBP, DEHP, DIBP, and 0.01% for cadmium, or qualify for an exemption to these limits as defined in the Annexes of Directive 2011/65/EU (RoHS2). Finished electrical and electronic equipment products will be CE marked as required by Directive 2011/65/EU. Components may not be CE marked. Additionally, the part numbers that TE has identified as EU ELV compliant have a maximum concentration of 0.1% by weight in homogenous

materials for lead, hexavalent chromium, and mercury, and 0.01% for cadmium, or qualify for an exemption to these limits as defined in the Annexes of Directive 2000/53/EC (ELV). Regarding the REACH Regulation, the information TE provides on SVHC in articles for this part number is based on the latest European Chemicals Agency (ECHA) 'Guidance on requirements for substances in articles' posted at this URL: <https://echa.europa.eu/guidance-documents/guidance-on-reach>

Compatible Parts



REPRESENTATION ONLY

TE Part # 45216
DAHT AMP CLOSED END SPLICES 22-14 ASSY

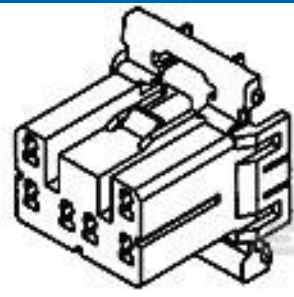


TE Part # 217212-1
PRO-CR ASSY, CES



TE Part # 217212-2
PRO-CR DIE, CES

Customers Also Bought



TE Part #173852-1
070 MULTILOCK PLUG 14P



TE Part #1-2308272-4
CABLE CLAMP4 (CASE RAW)



TE Part #1-2308272-6
CABLE CLAMP6 (CASE RAW)



TE Part #177801-000
10613-24-9



TE Part #1060-12-0222
PIN, SF, SIZE 12, 10, NI/NI



TE Part #1-965640-2
JUN-POW-TIM GEH 6P



TE Part #282375-1
070 MULTILOCK RCPT CONT



TE Part #NB17304001
RP-4800-NO.1-0-SP



TE Part #140759
250 FASTON,TAB,TPBR



TE Part #YDIV40E25-61SNV001
RECP ASSY

Documents

[Product Drawings](#)
[SPLICE,N CE 22-14](#)



English

CAD Files

Customer View Model

[ENG_CVM_CVM_8-35115-1_AH.2d_dxf.zip](#)

English

3D PDF

3D

Customer View Model

[ENG_CVM_CVM_8-35115-1_AH.3d_igs.zip](#)

English

Customer View Model

[ENG_CVM_CVM_8-35115-1_AH.3d_stp.zip](#)

English

By downloading the CAD file I accept and agree to the [Terms and Conditions](#) of use.

Product Specifications

[Application Specification](#)

English

Instruction Sheets

[Instruction Sheet \(U.S.\)](#)

English

Agency Approvals

[UL Report](#)

English