

PLC-V8C/SC-24DC/EM - Extension module



2903095

<https://www.phoenixcontact.com/us/products/2903095>

Please be informed that the data shown in this PDF document is generated from our online catalog. Please find the complete data in the user documentation. Our general terms of use for downloads are valid.

PLC logic extension module with 16 I/Os, for plug-in connection to eight PLC-INTERFACE terminal blocks for extending the basic module (a maximum of two extension modules can be connected to a basic module), screw connection



Commercial data

Item number	2903095
Packing unit	1 pc
Minimum order quantity	1 pc
Sales key	C424
Product key	CK2621
Catalog page	Page 429 (C-5-2017)
GTIN	4046356712835
Weight per piece (including packing)	128.4 g
Weight per piece (excluding packing)	120 g
Customs tariff number	85389099
Country of origin	DE

Technical data

Notes

Notes on operation	For proper use, the specifications of the installation directive (see Downloads) must be observed. For applications or use with third-party products, the specifications, and the safety and warning instructions of the respective third-party manufacturer must also be met.
Utilization restriction	
EMC note	EMC: class A product, see manufacturer's declaration in the download area

Product properties

Product type	Extension module
Product family	PLC logic
Operating mode	100% operating factor

Data management status

Article revision	07
------------------	----

Insulation characteristics: Air clearances and creepage distances

Insulation	Basic insulation
Overvoltage category	III
Pollution degree	2

Electrical properties

Air clearances and creepage distances

Rated insulation voltage	50 V
Rated surge voltage	0.8 kV

Supply

Supply voltage	24 V DC
Supply voltage range	19.2 V DC ... 26.4 V DC
Maximum input current at U_N	65 mA
Protective circuit	Reverse polarity protection Surge protection

Input data

Digital inputs

Number of inputs	8 (2 configurable as analog)
Description of the input	EN 61131-2, type 3
Input voltage	24 V DC
Signal level "0" signal	< 5 V
Signal level "1" signal	> 11 V
Input current "0" signal	< 1 mA

PLC-V8C/SC-24DC/EM - Extension module



2903095

<https://www.phoenixcontact.com/us/products/2903095>

Input current "1" signal	typ. 2.5 mA
Status display	LED (yellow)

Analog inputs

Number of inputs	2 (IN6 and IN7 are configurable as analog)
Input voltage range	0 V ... 10 V
Input resistance	> 3.5 k Ω

Contact to PLC-INTERFACE

Number of inputs	≤ 8
Description of the input	technical data depends on the PLC-INTERFACE terminal block used
Input voltage	19 V DC
Typical current consumption	4 mA
Input resistance	< 100 m Ω

Output data

Number of outputs	≤ 8
Nominal output voltage	24 V DC
Nominal current	9 mA

Connection data

COMBICON connection

Connection method	Screw connection
Stripping length	7 mm
Screw thread	M2
Number of connections	1
Number of positions	10
Note	Device supply and 8 x inputs
Conductor cross section rigid	0.14 mm ² ... 1.5 mm ²
Conductor cross section flexible	0.14 mm ² ... 1.5 mm ²
	0.25 mm ² ... 0.5 mm ² (Ferrule with plastic sleeve)
	0.25 mm ² ... 1.5 mm ² (Ferrule without plastic sleeve)
Conductor cross section AWG	28 ... 16

PLC logic - bus

Connection method	Insulation displacement connection
Number of connections	1
Number of positions	4

Signaling

Status display	LED (green)
----------------	-------------

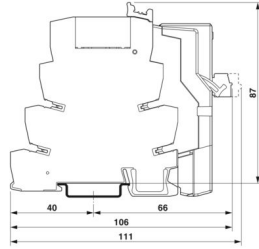
Dimensions

PLC-V8C/SC-24DC/EM - Extension module



2903095

<https://www.phoenixcontact.com/us/products/2903095>

Dimensional drawing	
Width	50 mm
Height	44 mm
Depth	106 mm (with relay)
	87 mm (with relay)

Material specifications

Color	gray (RAL 7042)
-------	-----------------

Environmental and real-life conditions

Ambient conditions

Degree of protection	IP20
Ambient temperature (operation)	-20 °C ... 50 °C
Ambient temperature (storage/transport)	-20 °C ... 70 °C
Max. permissible relative humidity (operation)	95 %

Approvals

CE

Certificate	CE-compliant
-------------	--------------

UL, USA/Canada

Identification	Class I, Div. 2, Groups A, B, C, D T4
----------------	---------------------------------------

UL, Canada

Identification	Class I, Zone 2, Ex ec IIC Gc T4 X
----------------	------------------------------------

UL, USA

Identification	Class I, Zone 2, AEx ec IIC T4
----------------	--------------------------------

Standards and regulations

Air clearances and creepage distances

Standards/regulations	EN IEC 60664-1
-----------------------	----------------

Mounting

Mounting type	Plug-in mounting
Assembly note	can be plugged onto 8 x PLC-INTERFACE terminal blocks

PLC-V8C/SC-24DC/EM - Extension module



2903095

<https://www.phoenixcontact.com/us/products/2903095>

Mounting position	any
-------------------	-----

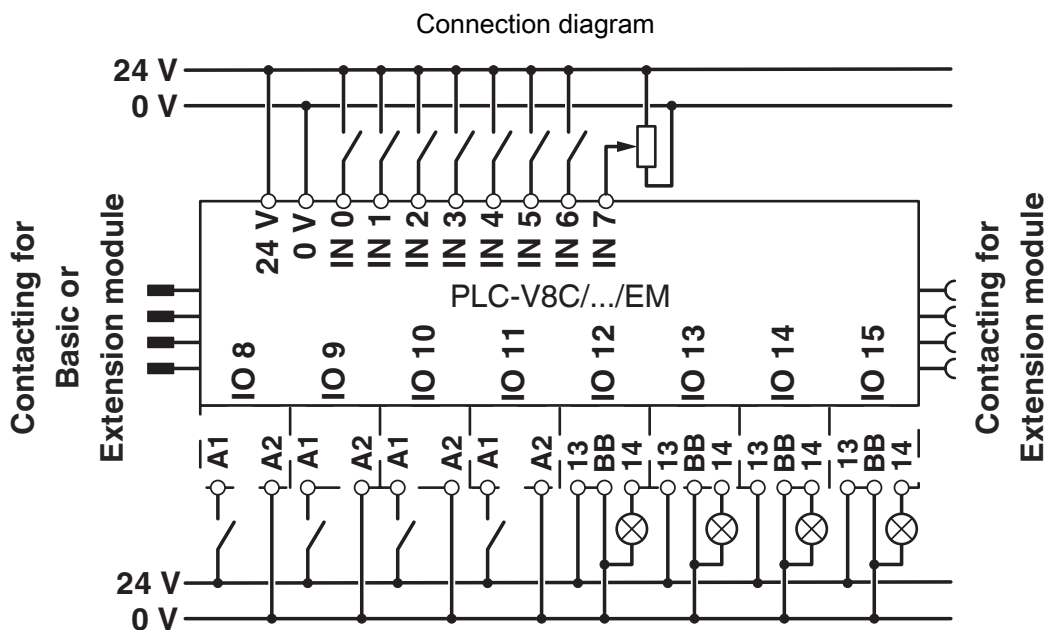
PLC-V8C/SC-24DC/EM - Extension module



2903095

<https://www.phoenixcontact.com/us/products/2903095>

Drawings

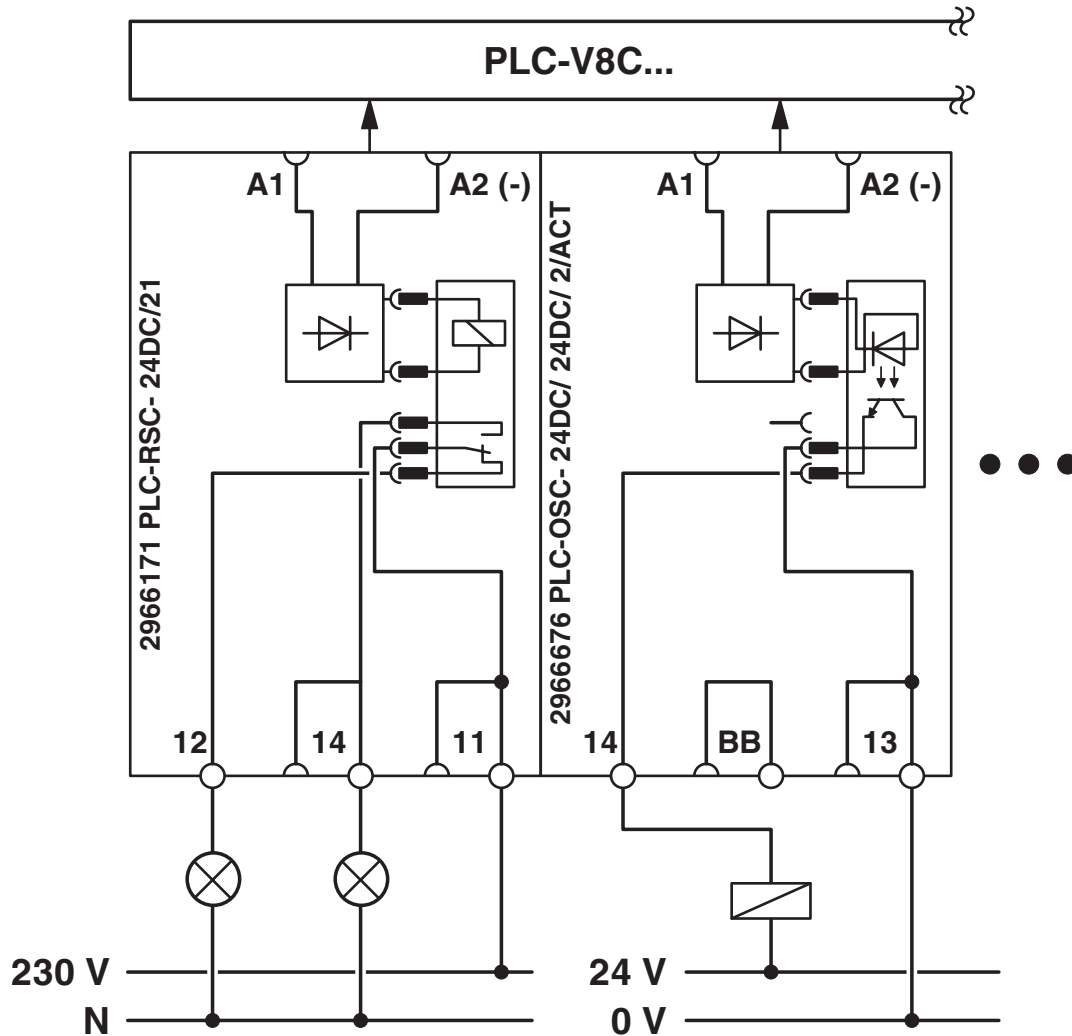


PLC-V8C/SC-24DC/EM - Extension module

2903095

<https://www.phoenixcontact.com/us/products/2903095>

Circuit diagram



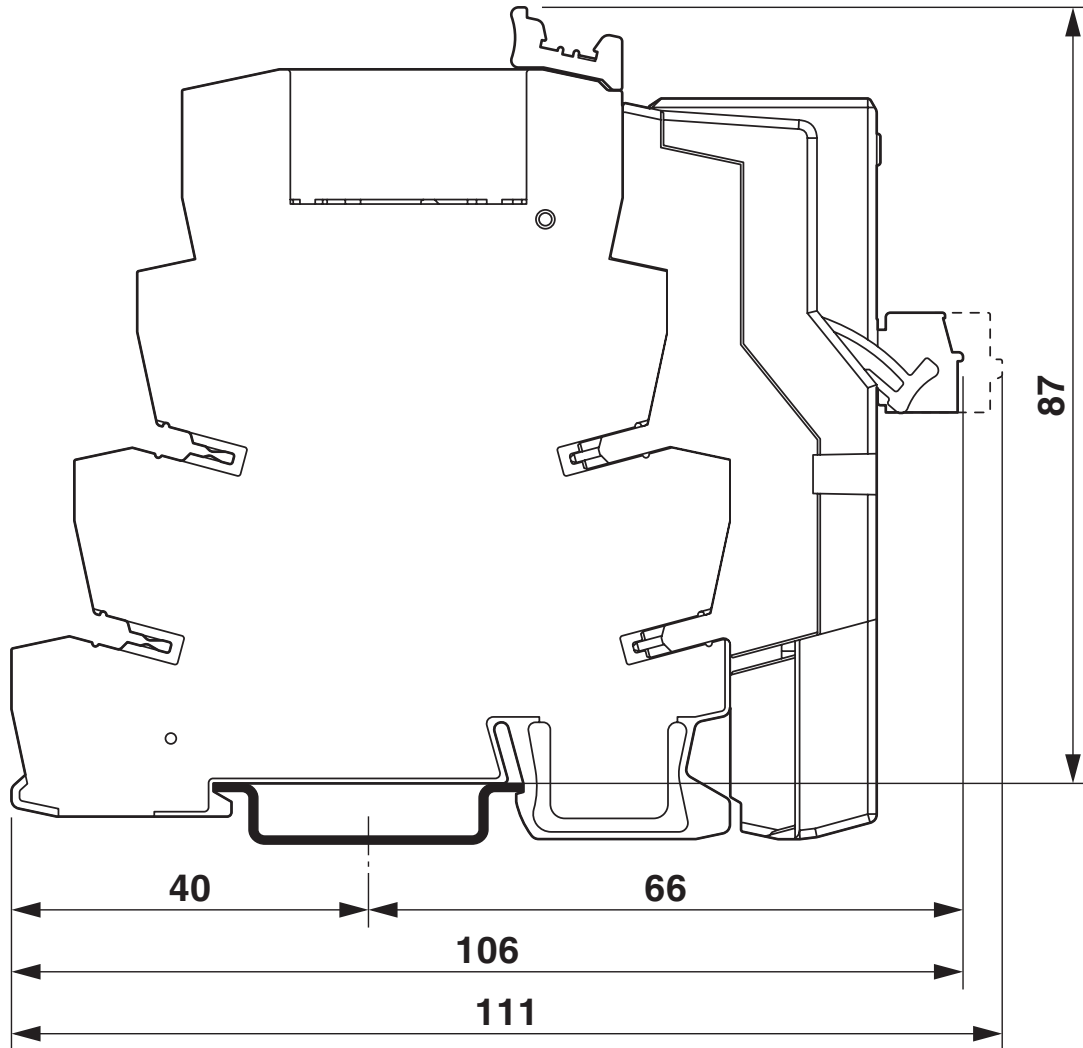
PLC-V8C/SC-24DC/EM - Extension module



2903095

<https://www.phoenixcontact.com/us/products/2903095>

Dimensional drawing



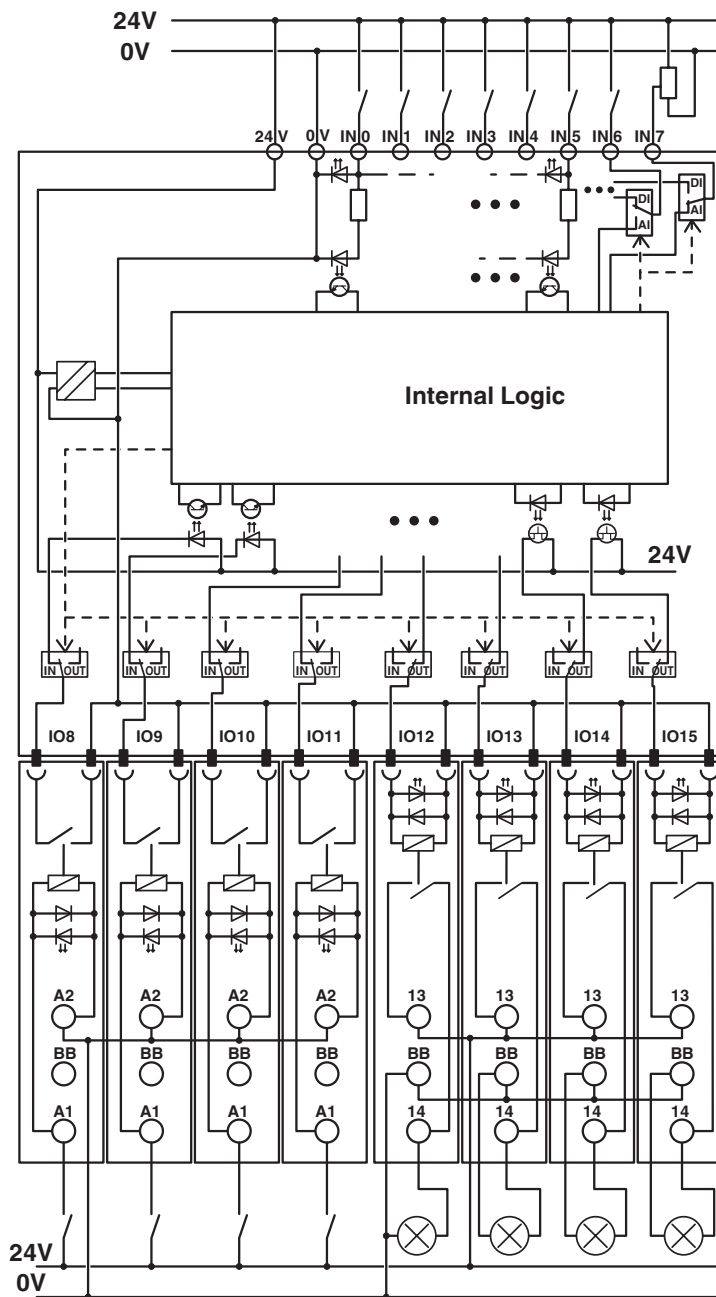
PLC-V8C/SC-24DC/EM - Extension module

2903095

<https://www.phoenixcontact.com/us/products/2903095>



Circuit diagram

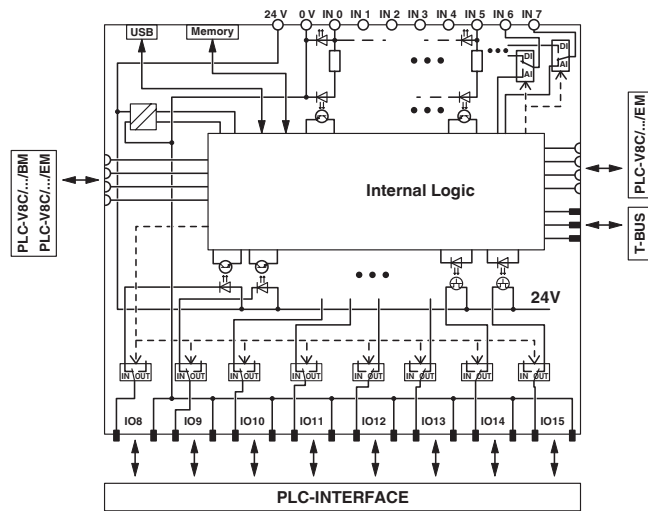


PLC-V8C/SC-24DC/EM - Extension module

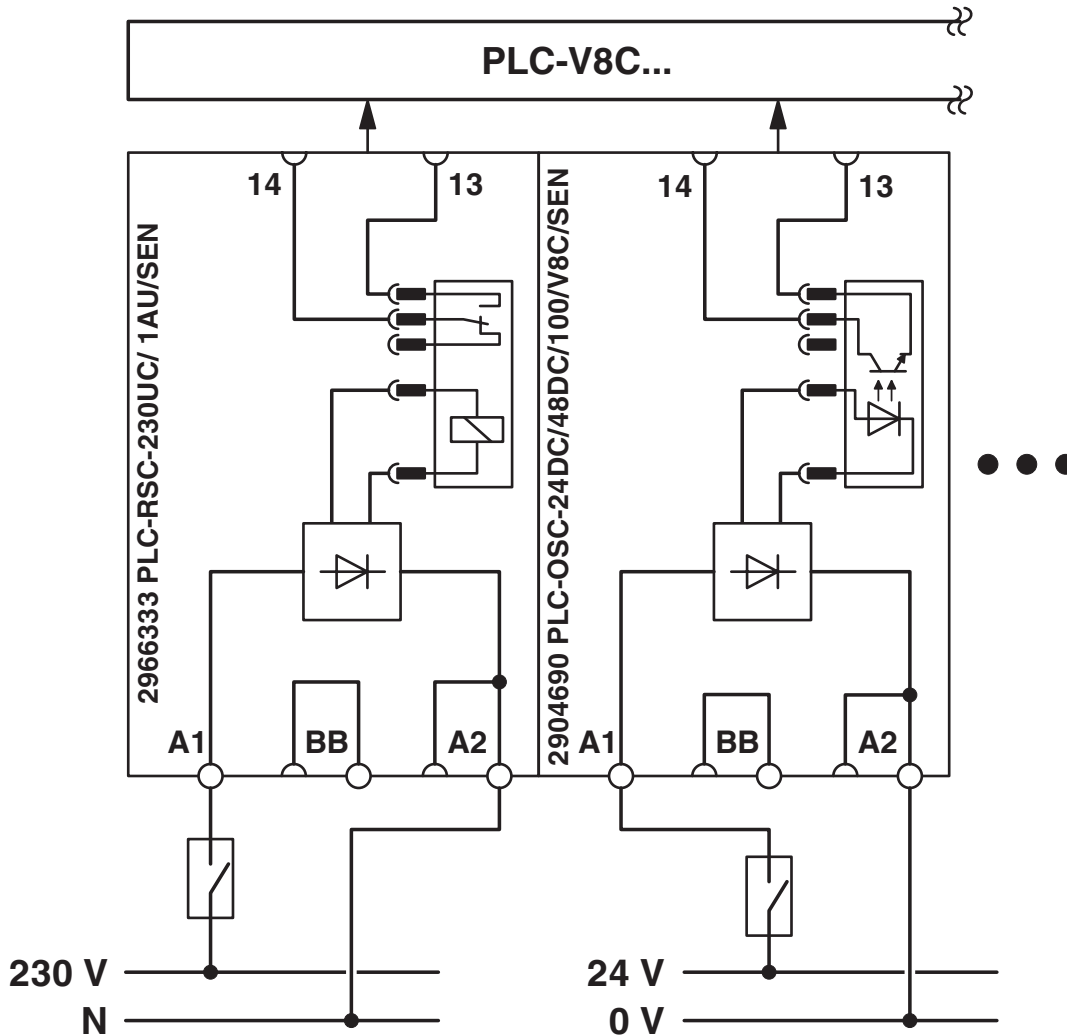
2903095

<https://www.phoenixcontact.com/us/products/2903095>

Circuit diagram



Circuit diagram



PLC-V8C/SC-24DC/EM - Extension module



2903095

<https://www.phoenixcontact.com/us/products/2903095>

Approvals

To download certificates, visit the product detail page: <https://www.phoenixcontact.com/us/products/2903095>



EAC

Approval ID: RU*DE.*08.B.01517/19



UL Listed

Approval ID: FILE E 172140



cUL Listed

Approval ID: FILE E 172140



cUL Listed

Approval ID: E199827



UL Listed

Approval ID: E199827

cULus Listed

cULus Listed

PLC-V8C/SC-24DC/EM - Extension module



2903095

<https://www.phoenixcontact.com/us/products/2903095>

Classifications

ECLASS

ECLASS-11.0	27242216
ECLASS-12.0	27242216
ECLASS-13.0	27242216

ETIM

ETIM 9.0	EC001417
----------	----------

UNSPSC

UNSPSC 21.0	39122300
-------------	----------

PLC-V8C/SC-24DC/EM - Extension module



2903095

<https://www.phoenixcontact.com/us/products/2903095>

Environmental product compliance

EU RoHS

Fulfills EU RoHS substance requirements	Yes
Exemption	7(a), 7(c)-I

China RoHS

Environment friendly use period (EFUP)	EFUP-50
	An article-related China RoHS declaration table can be found in the download area for the respective article under "Manufacturer declaration". For all articles with EFUP-E, no China RoHS declaration table issued and required.

EU REACH SVHC

REACH candidate substance (CAS No.)	Lead(CAS: 7439-92-1)
SCIP	40cfc8eb-9279-4786-851c-0fc0c8b6bda2

Phoenix Contact 2024 © - all rights reserved

<https://www.phoenixcontact.com>

Phoenix Contact USA
586 Fulling Mill Road
Middletown, PA 17057, United States
(+717) 944-1300
info@phoenixcon.com