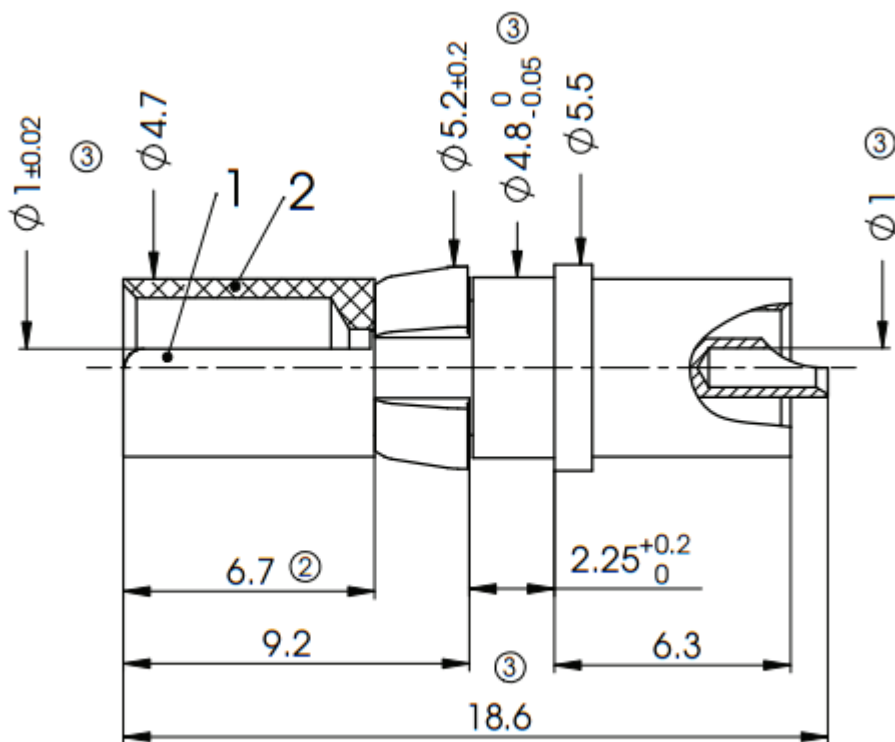


## Datasheet

# Straight RS Female Copper Alloy DIN Connector Contact

RS Stock number [309-4222](#)



## Specifications

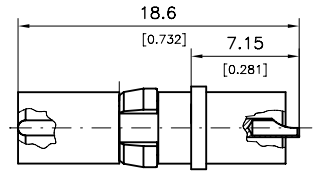
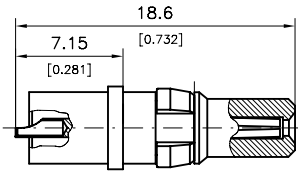
Coaxial contact for cable termination

Inner conductor for crimp or solder termination

Crimp Snap-In System

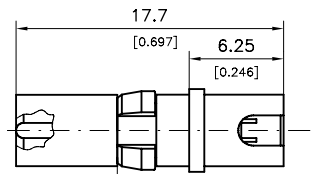
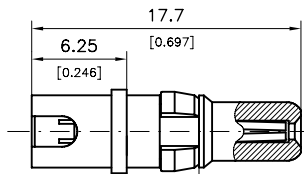
Outer conductor for solder or crimp termination

## High Voltage Contacts, Straight Cable Termination, Solder



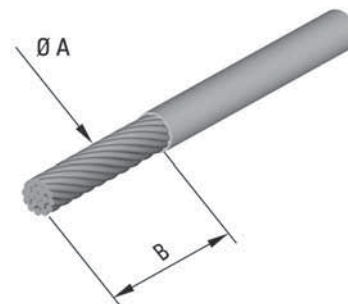
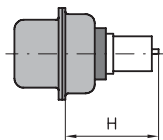
Type	Platings		Wire Size
	Mating Area	Termination Area	
standard	1,3 μm Au	1,3 μm Au	<b>AWG 20</b>
			8 microinches = ≈0,2 μm
			30 microinches = ≈0,8 μm
			50 microinches = ≈1,3 μm
			200 microinches = ≈5 μm

## High Voltage Contacts, Right Angled Cable Termination, Solder



Type	Platings		Wire Size
	Mating Area	Termination Area	
standard	1,3 μm Au	1,3 μm Au	<b>AWG 20</b>
			8 microinches = ≈0,2 μm
			30 microinches = ≈0,8 μm
			50 microinches = ≈1,3 μm
			200 microinches = ≈5 μm

## Dimensions



Ø A	Max. Metrical Cross-Section Area	B	H
max.	0,79 mm <sup>2</sup>		
1,0 (0.039)	(0.001 sq.in.)	1,5 (0.059)	12,65 (0.498)
1,0 (0.039)	0,79 mm <sup>2</sup>	2,5 (0.098)	11,75 (0.463)
	(0.001 sq.in.)		