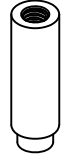
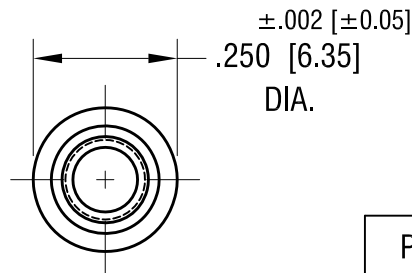
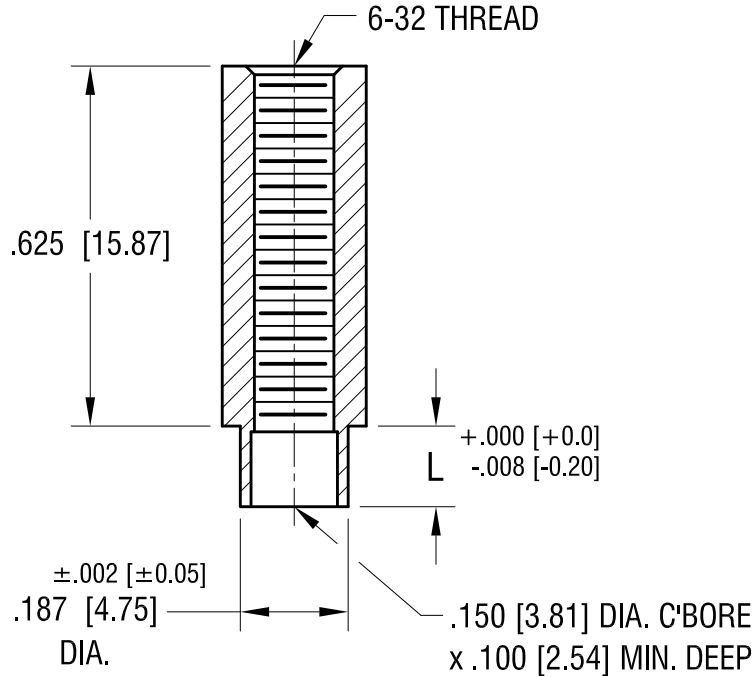


THIS DOCUMENT IS THE PROPERTY OF KEYSTONE ELECTRONICS CORP. AND SHALL NOT BE REPRODUCED, DISTRIBUTED OR USED AS A BASIS FOR MANUFACTURE WITHOUT PRIOR WRITTEN PERMISSION FROM KEYSTONE ELECTRONICS CORP.

ACTUAL SIZE



P/N 1605-2



PART NO.	'L' DIM.
1605-2	.109 [2.77]
1605-3	.140 [3.56]
1605-4	.171 [4.34]

**KEYSTONE ELECTRONICS CORP.**  
 www.keyelco.com • NEW HYDE PARK NY 11040 • Tel (516)328-7500

PART NAME: SWAGE THREADED STANDOFF

MATERIAL: BRASS

FINISH: DUCTILE NICKEL PLATE	DRN BY: BOONE	DATE: 5.14.02
	APP'D: LN	SCALE: 3X

TOLERANCES: INCH [MM] DECIMAL ±.005 [±0.13] ANGULAR ± 1° UNLESS OTHERWISE SPECIFIED

CODE: C DWG NO. 1605-

11.22.21	CHANGE AS PER ECN 02-170	A
DATE	DESCRIPTION	REV.