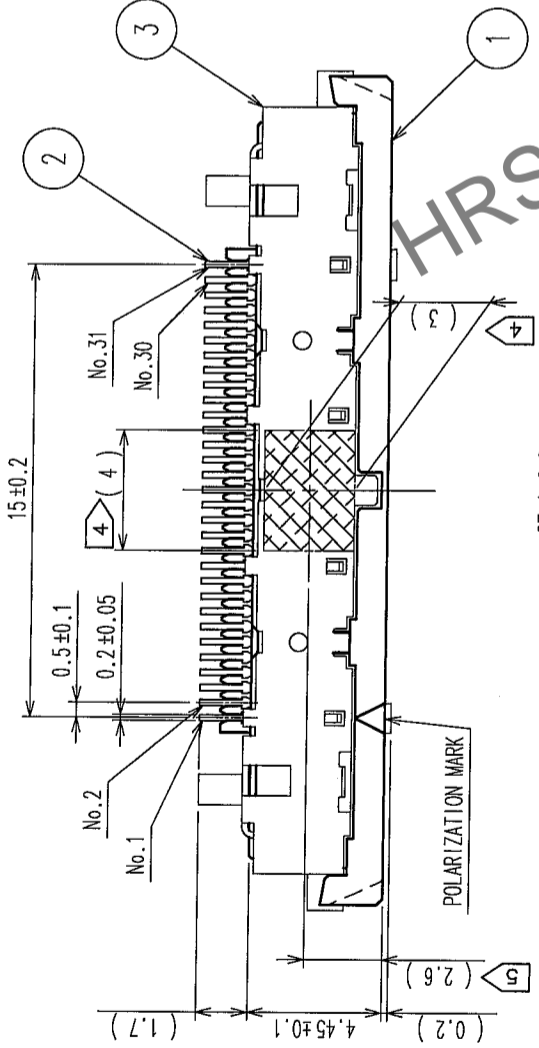
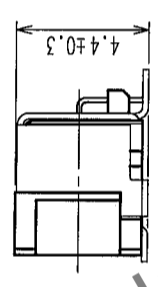
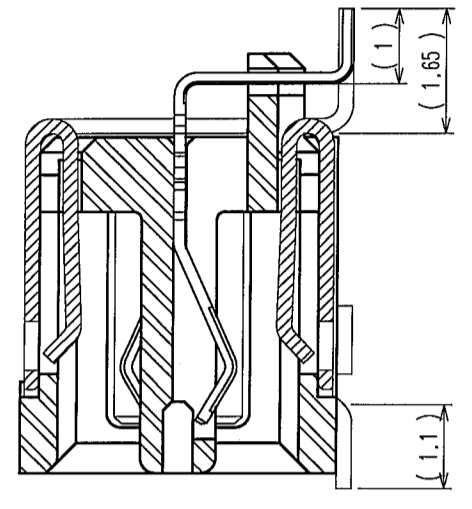


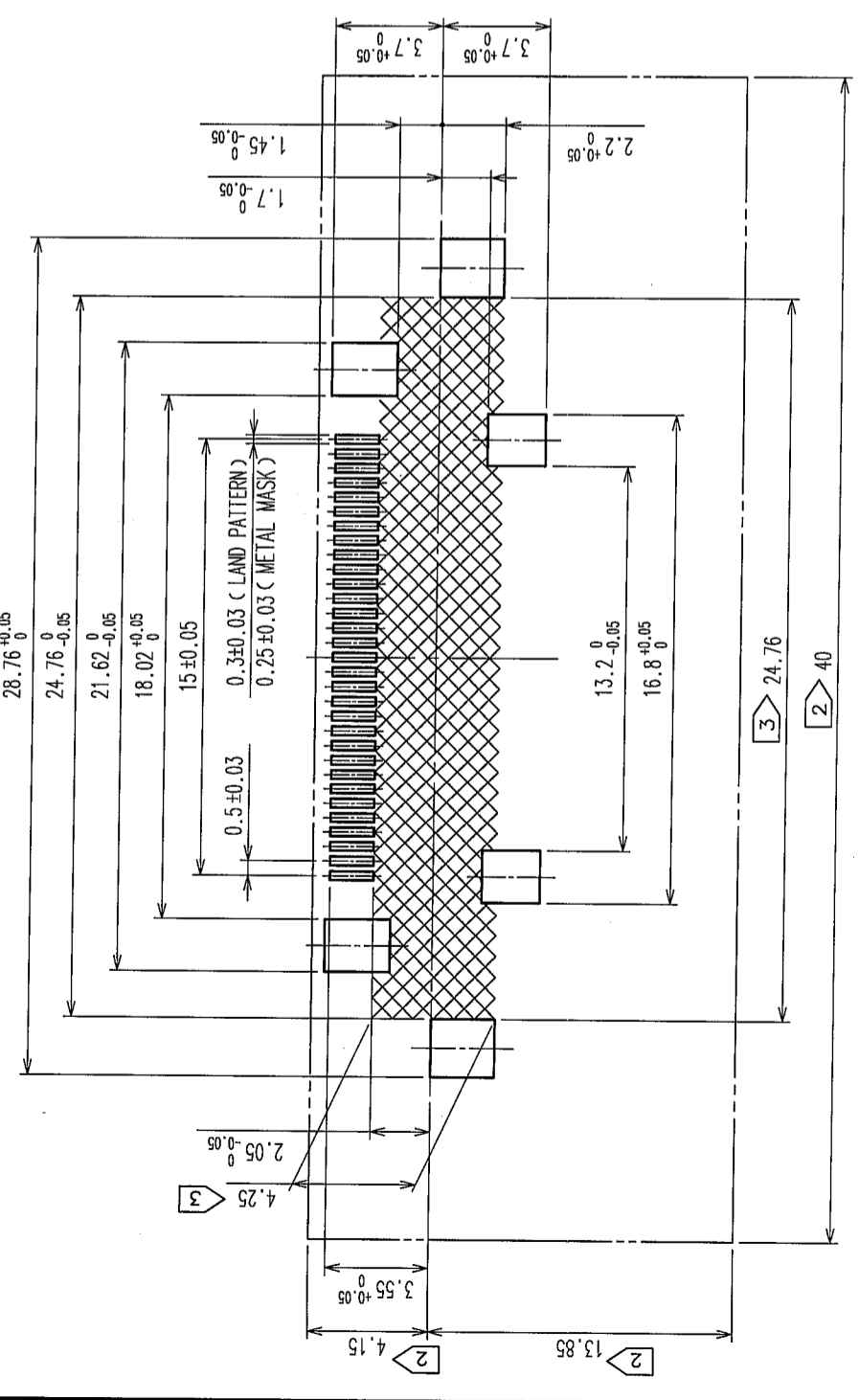
COUNT	DESCRIPTION OF REVISIONS	BY	CHKD	DATE	COUNT	DESCRIPTION OF REVISIONS	BY	CHKD	DATE
1	DIS-F-000562	K.S.H.Y		05.10.31					



AA(10:1) Δ



RECOMMENDED LAND PATTERN DIMENSION OF P.C.B



- NOTE
- 1 LEAD-COPLANARITY OF THIS PRODUCT TO BE 0.1MAX FOR SMT LEAD AND 0.15MAX FOR GROUND PLATE LEAD.
 - 2 DO NOT MOUNT OTHER DEVICES ONTO [] AREA, OR MATINGPAIR CANNOT BE MATED AND OPERATED THE LOCK PARTS.
 - 3 [] AREA OF INNER SMT LAND REQUIRES PATTERN PROHIBITION OR RESIST TREATMENT TO PREVENT THE PATTERN TOUCHING TO THE CONTACTS.
 - 4 [] AREA IS VACUUM PICKUP AREA FOR REFERENCE.
 - 5 THE DIMENSION IS THE CENTER OF VACUUM PICKUP AREA.
 - 6 THE DIMENSIONS IN PARENTHESES ARE FOR REFERENCE.
 - 7 PACKAGING FOR THIS PRODUCT APPLIES EMBOSSED CARRIER TAPE PACKAGING. SEE SHEET 2/2 FOR DETAILS.

NO.	MATERIAL	FINISH, REMARKS	NO.	MATERIAL	FINISH, REMARKS
3	NICKEL SILVER		2	PHOSPHOR BRONZE	
1	PA	BLACK UL94V-0			

CONTACT AREA: GOLD	0.1μm min	LEAD AREA: TIN-PLATING	1μm min	UNDER PLATING: NICKEL	0.5μm min

CODE NO. (OLD)	CL	DRAWN	DESIGNED	CHECKED	APPROVED	RELEASED
		K. SHIBUYA	K. SHIBUYA	H. YAMAGUCHI	H. OKAWA	
		05.08.04	05.08.04	05.08.05	05.08.05	

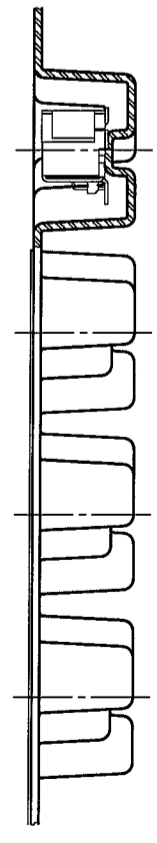
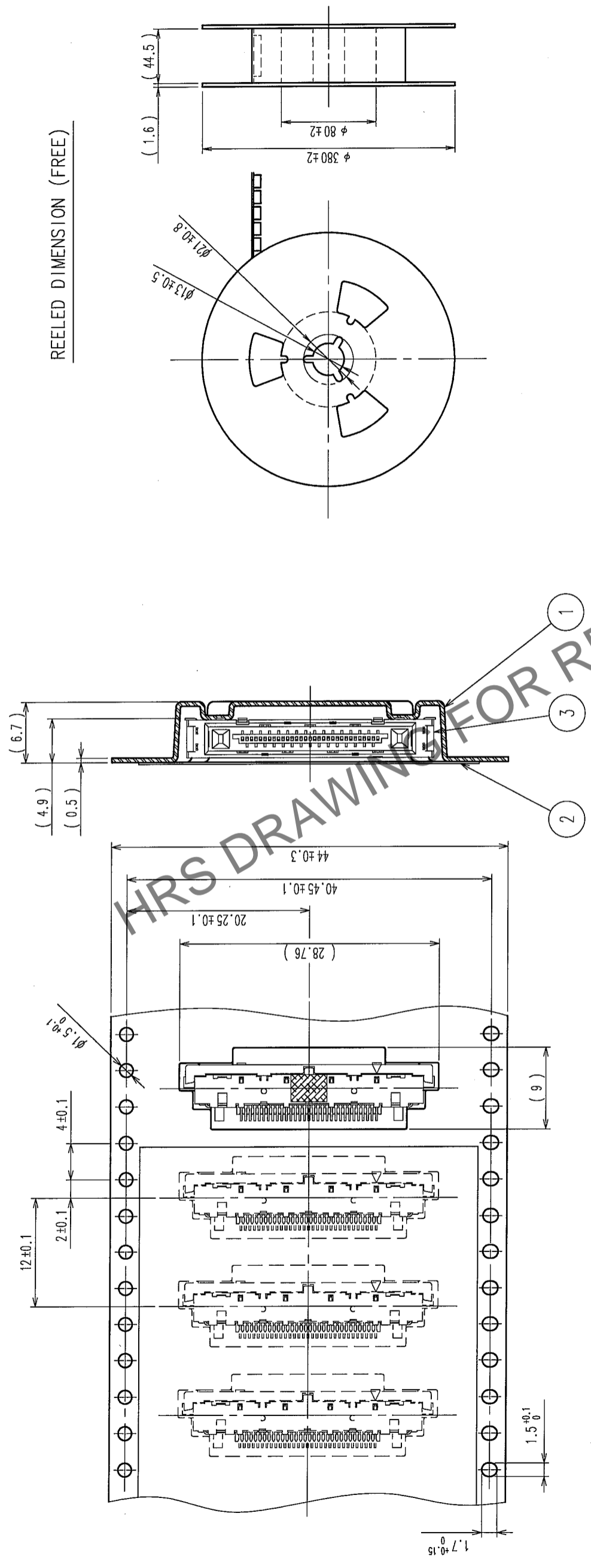
DRAWING NO.	PART NO.
EDC3-155934	FX15S-31S-0.5SH

SCALE	UNITS	CODE NO.
4 : 1	mm	CL575-2306-5

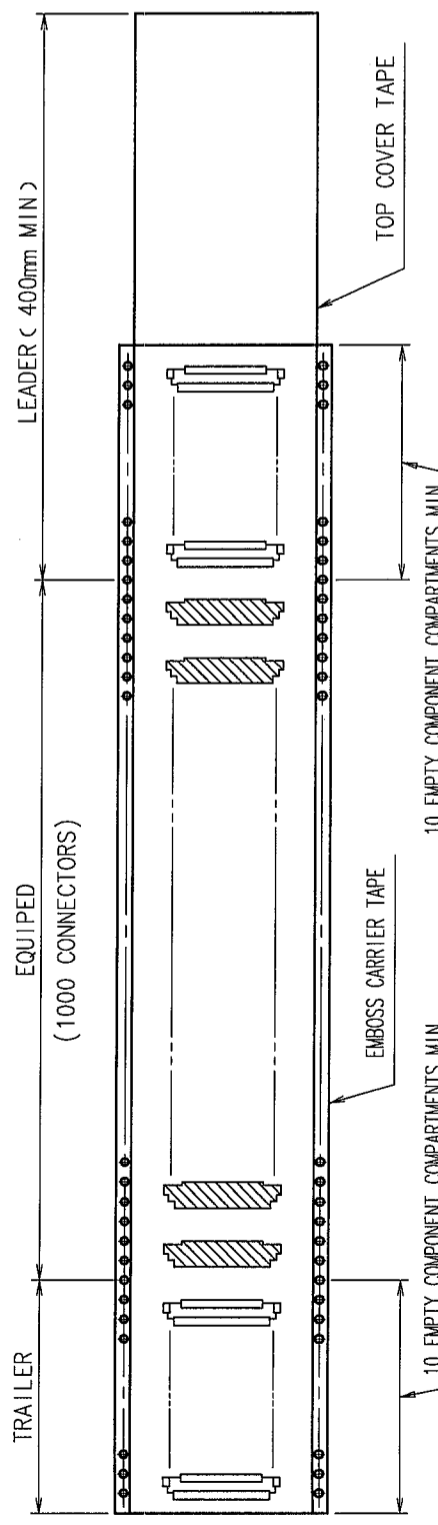
TO

COUNT	DESCRIPTION OF REVISIONS	BY	CHKD	DATE	COUNT	DESCRIPTION OF REVISIONS	BY	CHKD	DATE
△					△				
△					△				
△					△				

THE DIRECTION OF PULLING OUT



NOTE 1. 1 REEL : 1000 CONNECTORS.



NO.	MATERIAL	EMBOSS CARRIER TAPE	FINISH, REMARKS	NO.	MATERIAL	CONNECTOR
1	PS			3		
2	POLYESTER			2		TOP COVER TAPE

CODE NO. (OLD)	CL	DRAWN	DESIGNED	CHECKED	APPROVED	RELEASED
		K. SHIBUYA	K. SHIBUYA	H. YAMAGUCHI	H. OKAWA	
		05.08.04	05.08.04	05.08.05	05.08.05	

DRAWING NO.	PART NO.
EDC3-155934	FX15S-31S-0.5SH

SCALE	UNITS	CODE NO.
2 : 1	mm	CL575-2306-5