

4

3

2

1

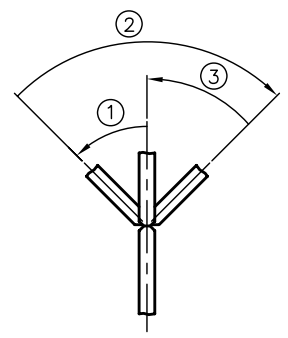
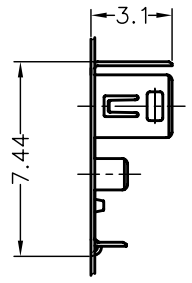
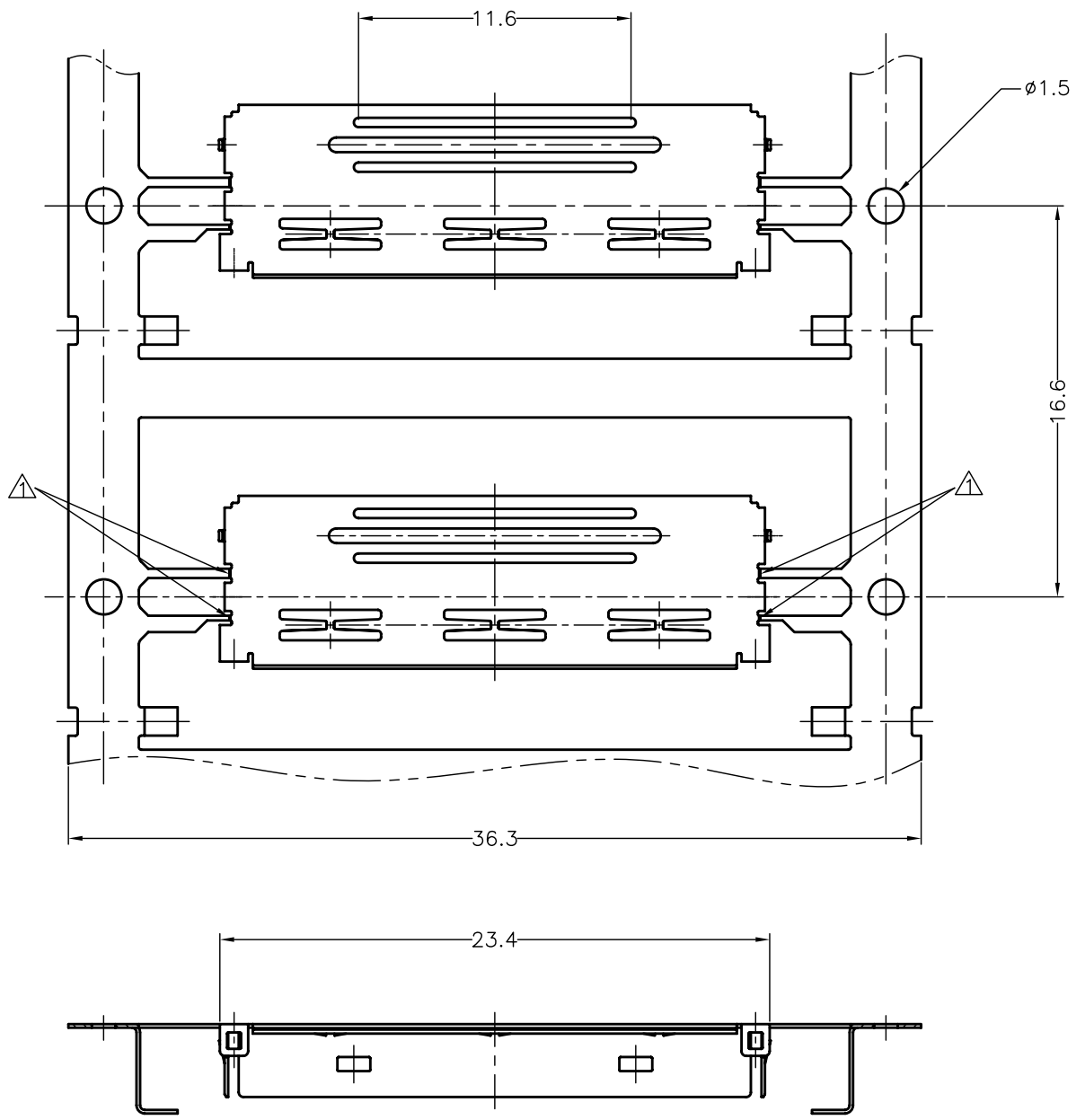
THIS DRAWING IS UNPUBLISHED. RELEASED FOR PUBLICATION
 © COPYRIGHT BY TYCO ELECTRONICS CORPORATION. ALL RIGHTS RESERVED.

LOC		DIST		REVISIONS			
P	LTR	DESCRIPTION	DATE	DWN	APVD		
	C	REVISED (ECR-09-005903)	12MAR09	P.H	H.K		

2023317-1: AS SHOWN

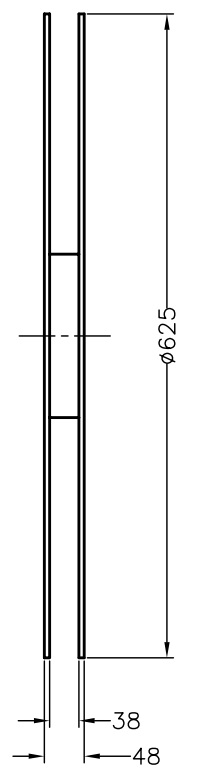
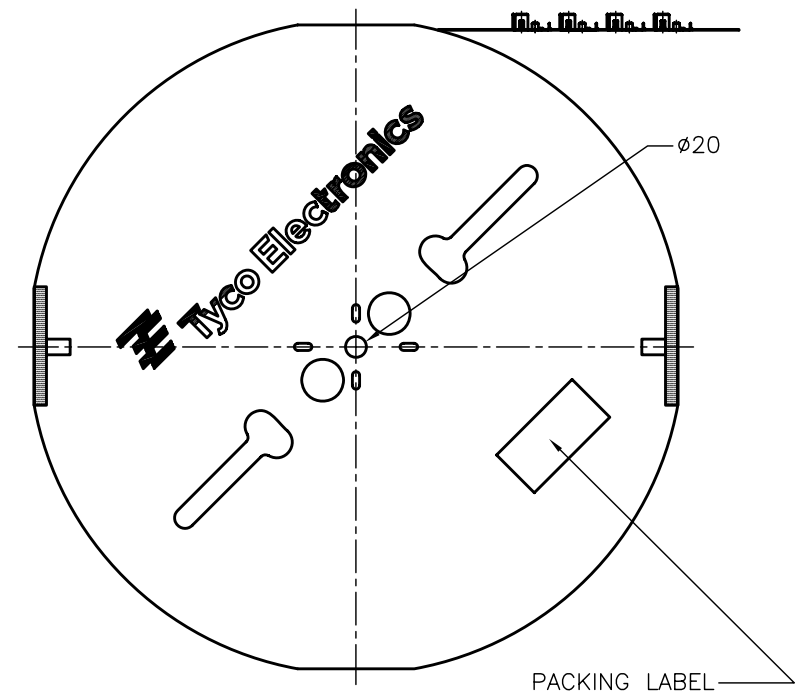
NOTES

- 1. NOTCH SHOULD BE CUT OFF WITHIN 3 PROCESS
- 2. QUANTITY: 3000 PCS/REEL



1. NOTCH CUT PROCESS

PULL OUT DIRECTION →



ITEM	NAME	MATERIAL	FINISH/COLOR
1	UPPER SHELL	COPPER ALLOY	NI UNDER PL 0.0013mm MIN.ALL OVER TIN 0.002~0.005mm PL OVER UNDER NI PL

THIS DRAWING IS A CONTROLLED DOCUMENT.		DWN P.HSU 25NOV08	Tyco Electronics Corporation Taipi, Taiwan																			
DIMENSIONS: INCHES		CHK C.WAYDE 25NOV08	APVD H.KODAMA 25NOV08																			
TOLERANCES UNLESS OTHERWISE SPECIFIED:		NAME H.KODAMA																				
<table border="1"> <tr><td>0 PLC</td><td>±</td><td>±0.2</td></tr> <tr><td>1 PLC</td><td>-</td><td>±2</td></tr> <tr><td>2 PLC</td><td>±</td><td>±2</td></tr> <tr><td>3 PLC</td><td>±</td><td>±</td></tr> <tr><td>4 PLC</td><td>±</td><td>±</td></tr> <tr><td>ANGLES</td><td>±</td><td>±</td></tr> </table>		0 PLC	±	±0.2	1 PLC	-	±2	2 PLC	±	±2	3 PLC	±	±	4 PLC	±	±	ANGLES	±	±	PRODUCT SPEC		
0 PLC	±	±0.2																				
1 PLC	-	±2																				
2 PLC	±	±2																				
3 PLC	±	±																				
4 PLC	±	±																				
ANGLES	±	±																				
MATERIAL		APPLICATION SPEC																				
FINISH		WEIGHT																				
		SIZE A2																				
		CAGE CODE 00779																				
		DRAWING NO 2023317																				
		RESTRICTED TO																				
CUSTOMER DRAWING		SCALE 5:1 SHEET 1 of 1 REV C																				

2023317

Mouser Electronics

Authorized Distributor

Click to View Pricing, Inventory, Delivery & Lifecycle Information:

[TE Connectivity:](#)

[2023317-1](#)