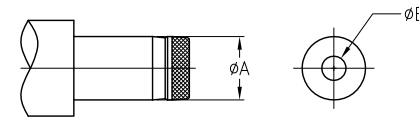
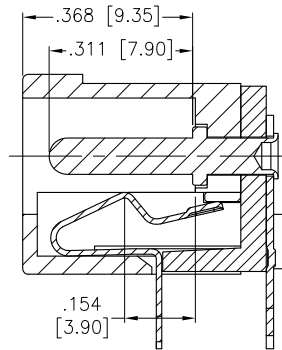
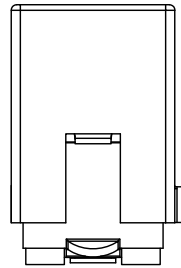
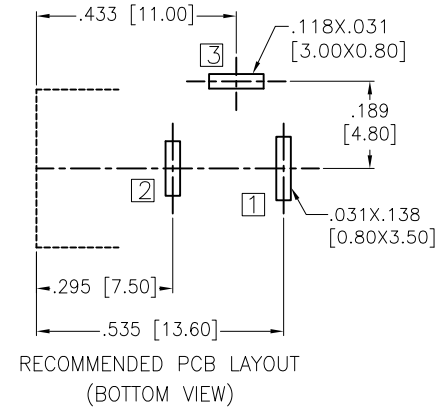
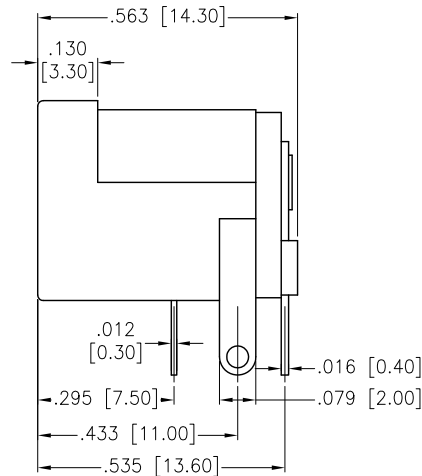
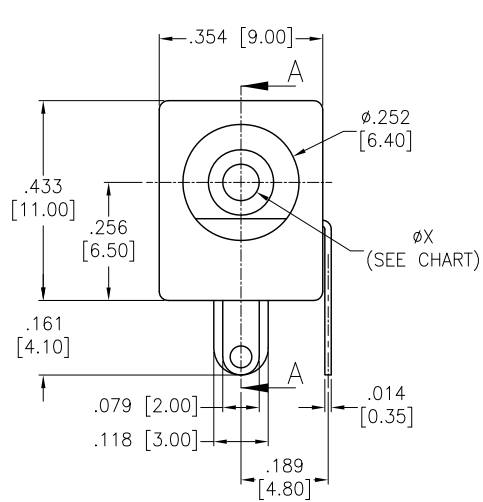
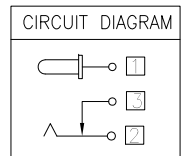


APPROVED: _____
 DATE: _____ TITLE: _____

Rev	AWO #	Description	Date	Appr
-		RELEASED	6/13/08	
A		UPDATE DRAWING	4/17/19	AY/KC



DC MATE PLUG



PART NO.	øX	øA	øB
ADC-H-002-1-HT	.078 [2.00]	.217 [5.50]	.081 [2.05]
ADC-H-002-2-HT	.098 [2.50]	.217 [5.50]	.100 [2.55]
ADC-H-002-5-HT	.092 [2.35]	.217 [5.50]	.094 [2.40]

SPECIFICATIONS:

Material:
 Insulator: Hi-temp thermoplastic, rated UL 94V-0
 Insulator color: Black
 Center Pin: Brass, Nickel plated
 Contacts: Copper Alloy
 Plating:
 Tin over Copper underplate overall
 Electrical:
 Rating: DC 16V, 5A
 Contact resistance: 30 mohms max
 Insulation resistance: 100 Mohms min @ 500 VDC
 Dielectric withstanding voltage: 500 VAC
 Temperature Rating:
 Operating temperature: -20°C to +70°C
 Environmental:
 Lead free, RoHS compliant.



UNLESS OTHERWISE SPECIFIED ALL DIMENSIONS ARE INCHES [MM] TOLERANCES: EXCEPT AS NOTED INCHES HOLES .X ± .10 ø.X ± .10 .XX ± .020 ø.XX ± .015 .XXX ± .015 ø.XXX ± .010		ADAM TECH INTERCONNECTS 909 Rahway Avenue, Union, NJ 07083 Phone: 908-687-5000 Fax: 908-687-5710	
APPROVALS DRAWN SS CHECKED APPROVED		DATE 6/13/08	
TITLE DC POWER JACK, RIGHT ANGLE, PCB HI CURRENT, HI-TEMP INSULATOR			
SIZE X	PART NO. ADC-H-002-X-HT	REV. A	
REF: S00002C	SCALE: NTS	SHEET 1 OF 1	