

# EM-D-8/4-24DC-IFS - Extension module



2904473

<https://www.phoenixcontact.com/us/products/2904473>

Please be informed that the data shown in this PDF document is generated from our online catalog. Please find the complete data in the user documentation. Our general terms of use for downloads are valid.



For more complex applications with Interface system devices (IFS), the extension module offers digital inputs and outputs for processing additional signals in the field. Easy connection to IFS gateway via the DIN rail connector as the slave.

## Commercial data

Item number	2904473
Packing unit	1 pc
Minimum order quantity	1 pc
Sales key	C477
Product key	CK772Z
Catalog page	Page 21 (C-5-2019)
GTIN	4046356826051
Weight per piece (including packing)	175 g
Weight per piece (excluding packing)	99.99 g
Customs tariff number	85389091
Country of origin	DE

## Technical data

### Product properties

Product type	Extension module
Product family	CONTACTRON
Operating mode	100% operating factor

### Insulation characteristics

Overvoltage category	III
Pollution degree	2

### Electrical properties

#### Supply

Rated control circuit supply voltage $U_S$	24 V DC -20 % ... +25 %
Rated control supply current $I_S$	85 mA (plus load current of the outputs)
Protective circuit	Reverse polarity protection
	Surge protection

### Input data

#### Digital

Number	8
Rated actuating voltage $U_C$	24 V DC $\pm$ 20 %
Triggering voltage range	19.2 V DC ... 28.8 V DC
Rated actuating current $I_C$	3 mA
Protective circuit	Reverse polarity protection
	Surge protection

### Output data

#### Digital: Switching outputs

Number	4
Rated output voltage $U_{SO}$	24 V DC
Residual voltage	1 V
Maximum switching voltage	23 V DC ( $U_B - U_{resid.}$ of the output)
Max. switching current	500 mA (per output)
Protective circuit	Parallel protection against polarity reversal, pay attention to the fuse (Fusing with max. 8 A F-fuse)

### Connection data

#### Supply

Connection method	Screw connection
Stripping length	8 mm
Screw thread	M3

# EM-D-8/4-24DC-IFS - Extension module



2904473

<https://www.phoenixcontact.com/us/products/2904473>

Conductor cross section rigid	0.2 mm <sup>2</sup> ... 2 mm <sup>2</sup>
Conductor cross section flexible	0.2 mm <sup>2</sup> ... 2.5 mm <sup>2</sup>
Conductor cross section AWG	24 ... 12

## Programming connection

Connection method	S-PORT (socket)
Number of connections	1
Number of positions	12

## INTERFACE system

Connection method	DIN rail bus connectors
Number of connections	1
Number of positions	5

## Interfaces

### Data: IFS interface

Data rate	76800 Baud
Serial transmission speed	76.8 kbps
Connection method	DIN rail bus connectors S-PORT (male connector)

### Data: Service interface

Communication protocol	INTERFACE-System
Connection method	S-PORT (socket)
Number of connections	1
Number of positions	12

### Data: Device bus

Communication protocol	INTERFACE-System
Connection method	DIN rail bus connectors
Number of connections	1
Number of positions	5
Transmission speed	76.8 kbps

## Dimensions

Width	22.5 mm
Height	99 mm
Depth	114.5 mm

## Material specifications

Color	gray (RAL 7042)
Housing material	Polyamide PA non-reinforced

## Environmental and real-life conditions

### Ambient conditions

# EM-D-8/4-24DC-IFS - Extension module



2904473

<https://www.phoenixcontact.com/us/products/2904473>

Degree of protection	IP20
Ambient temperature (operation)	-35 °C ... 50 °C
Ambient temperature (storage/transport)	-35 °C ... 80 °C

## Approvals

UKCA

Certificate	UKCA-compliant
-------------	----------------

## Standards and regulations

Standards/regulations	EN 61131-2
-----------------------	------------

## Mounting

Mounting type	DIN rail mounting
Assembly note	in rows with zero spacing
Mounting position	any

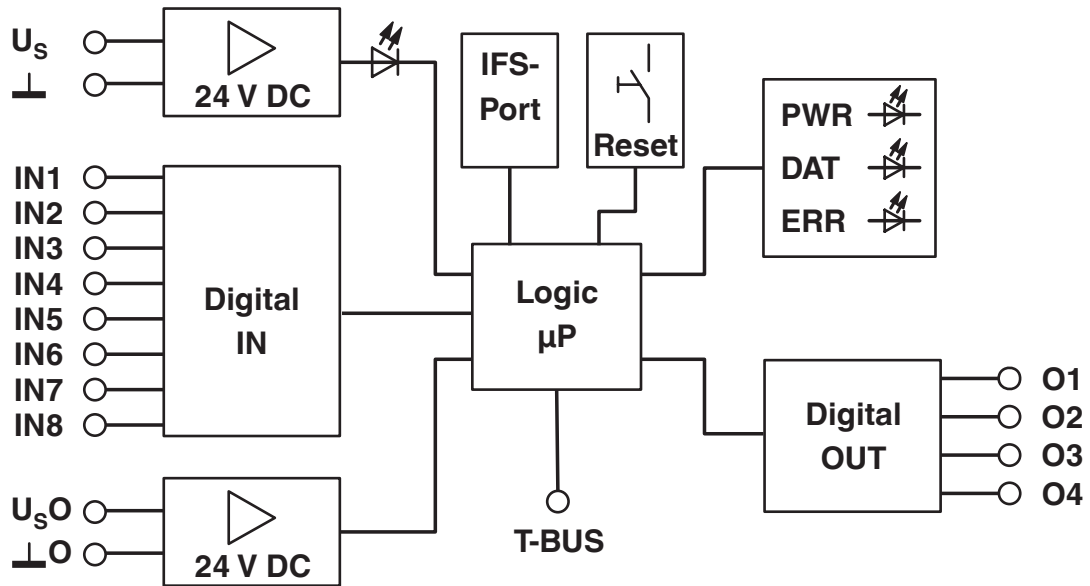
# EM-D-8/4-24DC-IFS - Extension module

2904473

<https://www.phoenixcontact.com/us/products/2904473>

## Drawings

Block diagram



# EM-D-8/4-24DC-IFS - Extension module



2904473

<https://www.phoenixcontact.com/us/products/2904473>

## Approvals

To download certificates, visit the product detail page: <https://www.phoenixcontact.com/us/products/2904473>



**EAC**

Approval ID: RU C-DE.A\*30.B.01082



**UL Listed**

Approval ID: FILE E 140324



**cUL Listed**

Approval ID: FILE E 140324

**cULus Listed**

# EM-D-8/4-24DC-IFS - Extension module



2904473

<https://www.phoenixcontact.com/us/products/2904473>

## Classifications

### ECLASS

ECLASS-11.0	27242604
ECLASS-12.0	27242604
ECLASS-13.0	27242604

### ETIM

ETIM 9.0	EC001599
----------	----------

### UNSPSC

UNSPSC 21.0	32151600
-------------	----------

2904473

<https://www.phoenixcontact.com/us/products/2904473>

## Environmental product compliance

### EU RoHS

Fulfills EU RoHS substance requirements	Yes
Exemption	7(a), 7(c)-I

### China RoHS

Environment friendly use period (EFUP)	EFUP-50
	An article-related China RoHS declaration table can be found in the download area for the respective article under "Manufacturer declaration". For all articles with EFUP-E, no China RoHS declaration table issued and required.

### EU REACH SVHC

REACH candidate substance (CAS No.)	Lead(CAS: 7439-92-1)
SCIP	f36182ec-6615-4e00-a646-7d5bfb384917



# EM-D-8/4-24DC-IFS - Extension module



2904473

<https://www.phoenixcontact.com/us/products/2904473>

## Mandatory accessories

### IFS-USB-DATACABLE - Data cable

2320500

<https://www.phoenixcontact.com/us/products/2320500>

Used for communicating between industrial PCs and Phoenix Contact devices with the 12-pos. IFS data port, such as QUINT UPS or TRIO UPS.



---

### ME 22,5 TBUS 1,5/ 5-ST-3,81 GY - DIN rail bus connectors

2201937

<https://www.phoenixcontact.com/us/products/2201937>

DIN rail connector, color: gray, nominal current: 8 A (parallel contacts), rated voltage (III/2): 125 V, number of positions: 5, product range: TBUS5-22,5..., pitch: 3.81 mm, mounting: DIN rail mounting, locking: without, mounting: without, type of packaging: packed in cardboard, Item with gold-plated contacts, bus connectors for connecting with electronics housings, 5 parallel contacts



# EM-D-8/4-24DC-IFS - Extension module

2904473

<https://www.phoenixcontact.com/us/products/2904473>



## EM-PB-GATEWAY-IFS - Data interface

2297620

<https://www.phoenixcontact.com/us/products/2297620>



Gateway for the connection of up to 32 INTERFACE system devices to a higher-level controller via PROFIBUS DP. The INTERFACE system devices are connected to the Gateway via DIN rail connectors, the DIN rail connectors are provided.

---

## EM-CAN-GATEWAY-IFS - Data interface

2901504

<https://www.phoenixcontact.com/us/products/2901504>



Gateway for the connection of up to 32 INTERFACE system devices to a higher-level controller via CANopen<sup>®</sup>. The INTERFACE system devices are connected to the Gateway via DIN rail connectors, the DIN rail connectors are provided.

# EM-D-8/4-24DC-IFS - Extension module

2904473

<https://www.phoenixcontact.com/us/products/2904473>



## EM-MODBUS-GATEWAY-IFS - Data interface

2901528

<https://www.phoenixcontact.com/us/products/2901528>



Gateway for the connection of up to 32 INTERFACE system devices via Modbus/TCP to a higher-level controller. The INTERFACE system devices are connected to the Gateway via DIN rail connectors, the DIN rail connectors are provided.

---

## EM-ETH-GATEWAY-IFS - Data interface

2901988

<https://www.phoenixcontact.com/us/products/2901988>



Gateway for the connection of up to 32 INTERFACE system devices to a higher-level controller via EtherNet/IP™. The INTERFACE system devices are connected to the Gateway via DIN rail connectors, the DIN rail connectors are provided.

# EM-D-8/4-24DC-IFS - Extension module



2904473

<https://www.phoenixcontact.com/us/products/2904473>

## EM-PNET-GATEWAY-IFS - Data interface

2904472

<https://www.phoenixcontact.com/us/products/2904472>



Gateway for the connection of up to 32 INTERFACE system devices via PROFINET to a higher-level controller. The INTERFACE system devices are connected to the Gateway via DIN rail connectors, the DIN rail connectors are provided.

---

## Accessories

### IFS-CONFSTICK-L - Memory block

2901103

<https://www.phoenixcontact.com/us/products/2901103>



Multi-functional memory block with handle for the INTERFACE system; for easy storage and back up of the configuration.

# EM-D-8/4-24DC-IFS - Extension module

2904473

<https://www.phoenixcontact.com/us/products/2904473>

## IFS-CONFSTICK - Memory block

2986122

<https://www.phoenixcontact.com/us/products/2986122>



Multi-functional memory block for the INTERFACE system for easy storage and backup of the configuration.

---

## IFS-BT-PROG-ADAPTER - Adapter

2905872

<https://www.phoenixcontact.com/us/products/2905872>



Bluetooth adapter with micro USB and S-PORT interface for wireless communication with the MINI Analog, MINI Analog Pro, MACX Analog, Interface System Gateways, and PLC logic device series.

# EM-D-8/4-24DC-IFS - Extension module



2904473

<https://www.phoenixcontact.com/us/products/2904473>

## US-EMLP (15X5) - Plastic label

0828790

<https://www.phoenixcontact.com/us/products/0828790>



Plastic label, Card, white, unlabeled, can be labeled with: BLUEMARK ID COLOR, BLUEMARK ID, THERMOMARK PRIME, THERMOMARK CARD 2.0, THERMOMARK CARD, mounting type: adhesive, lettering field size: 15 x 5 mm, Number of individual labels: 189

---

## UC-EMLP (15X5) - Plastic label

0819301

<https://www.phoenixcontact.com/us/products/0819301>



Plastic label, Sheet, white, unlabeled, can be labeled with: BLUEMARK ID COLOR, BLUEMARK ID, BLUEMARK CLED, PLOTMARK, CMS-P1-PLOTTER, mounting type: adhesive, lettering field size: 15 x 5 mm, Number of individual labels: 10

# EM-D-8/4-24DC-IFS - Extension module

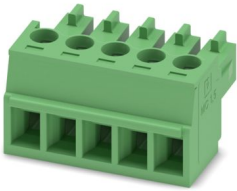
2904473

<https://www.phoenixcontact.com/us/products/2904473>

## MC 1,5/ 5-ST-3,81 - PCB connector

1803604

<https://www.phoenixcontact.com/us/products/1803604>



PCB connector, nominal cross section: 1.5 mm<sup>2</sup>, color: green, nominal current: 8 A, rated voltage (III/2): 160 V, contact surface: Tin, contact connection type: Socket, number of potentials: 5, number of rows: 1, number of positions: 5, number of connections: 5, product range: MC 1,5/...-ST, pitch: 3.81 mm, connection method: Screw connection with tension sleeve, screw head form: L Slotted, conductor/PCB connection direction: 0 °, plug-in system: COMBICON MC 1,5, locking: without, mounting: without, type of packaging: packed in cardboard

---

## IMC 1,5/ 5-ST-3,81 - PCB connectors

1857919

<https://www.phoenixcontact.com/us/products/1857919>



PCB connector, nominal cross section: 1.5 mm<sup>2</sup>, color: green, nominal current: 8 A, rated voltage (III/2): 160 V, contact surface: Tin, contact connection type: Pin, number of potentials: 5, number of rows: 1, number of positions: 5, number of connections: 5, product range: IMC 1,5/...-ST, pitch: 3.81 mm, connection method: Screw connection with tension sleeve, screw head form: L Slotted, conductor/PCB connection direction: 0 °, plug-in system: COMBICON MC 1,5, locking: without, mounting: without, type of packaging: packed in cardboard

# EM-D-8/4-24DC-IFS - Extension module

2904473

<https://www.phoenixcontact.com/us/products/2904473>



IMC 1,5/ 5-ST-3,81SET IL IFS 2M - Plug

1784729

<https://www.phoenixcontact.com/us/products/1784729>



Assembled connecting cable, IL-IFS, 2 m in length

---

Phoenix Contact 2024 © - all rights reserved

<https://www.phoenixcontact.com>

Phoenix Contact USA  
586 Fulling Mill Road  
Middletown, PA 17057, United States  
(+717) 944-1300  
[info@phoenixcon.com](mailto:info@phoenixcon.com)