



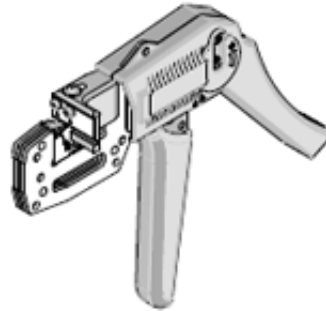
Part Number : [638119200](#)

Product Description : PremiumGrade Hand Crimp Tool for CP 0.635mm Female Terminals for CMC Connector, 0.50-0.75mm² Wire

Series Number : 207129

Status : Active

Product Category : Crimp Presses and Crimp Hand Tools



Documents & Resources

Tooling Specifications

[Application Tooling Specification ATS-638119200-001.pdf](#)

[Commercial Crimp Book TM-638000029-001.pdf](#)

[Commercial Crimp Book TM-638000029DE-001.pdf](#)

[Commercial Crimp Book TM-638000029SP-001.pdf](#)

[Commercial Crimp Book TM-638000029FR-001.pdf](#)

[Commercial Crimp Book TM-638000029IT-001.pdf](#)

[Commercial Crimp Book TM-638000029JP-001.pdf](#)

[Commercial Crimp Book TM-638000029KR-001.pdf](#)

[Commercial Crimp Book TM-638000029MY-001.pdf](#)

[Commercial Crimp Book TM-638000029PL-001.pdf](#)

[Commercial Crimp Book TM-638000029RU-001.pdf](#)

[Commercial Crimp Book TM-638000029SK-001.pdf](#)

[Commercial Crimp Book TM-638000029TH-001.pdf](#)

[Commercial Crimp Book TM-638000029VN-001.pdf](#)

[Commercial Crimp Book TM-638000029CN-001.pdf](#)

[Commercial Crimp Book TM-638000029TW-001.pdf](#)

Product Environment Compliance

Compliance

GADSL/IMDS	Not Relevant
China RoHS	Not Relevant
EU ELV	Not Relevant
Low-Halogen Status	Not Relevant
REACH SVHC	Not Contained per ED/30/2017 (7 July 2017)
EU RoHS	Compliant per EU 2015/863

Multiple Part Product Compliance Statements

- Eu RoHS
- REACH SVHC
- Low-Halogen

Multiple Part Industry Compliance Documents

- IPC 1752A Class C
- IPC 1752A Class D
- Molex Product Compliance Declaration
- IEC-62474
- chemSHERPA (xml)

EU RoHS Certificate of Compliance

Part Details

General

Status	Active
Category	Crimp Presses and Crimp Hand Tools
Series	207129
Description	PremiumGrade Hand Crimp Tool for CP 0.635mm Female Terminals for CMC Connector, 0.50-0.75mm ² Wire
Comments	Field Repair, See Tooling Specification (PDF) Above; Type: 7
Function	Crimp
Geographic Area	Global
Level of Automation	Manual
More Detailed Tech Information	toolingsupport@molex.com
Product Family	Application Tooling
Product Name	PremiumGrade
Tool Type	Hand Crimp Tool
UPC	822350980494

Warranty Disclaimer	<p>CAUTION: Molex tooling crimp specifications are valid only when used with Molex terminals and tooling manufactured by Molex and sold by Molex or authorized distributors ("Molex Tooling").</p> <p>When using tooling other than Molex Tooling with Molex specific connector systems listed in our ATS documents, the Molex tooling qualification does not apply and the responsibility for full qualification of the connector system is that of the customer.</p> <p>Molex accepts no liability for connector performance or tooling support where tooling other than Molex Tooling is used or where Molex Tooling is modified.</p>
---------------------	--

Physical

Net Weight	0.001/kg
------------	----------

Applicable Parts

Description	Part Number
0.635mm CMC CP Female Terminal, Tin Plated, for Square 0.6mm x 0.6mm Pins, Wire Size 0.75mm ²	<u>643221029</u>
0.635mm CMC CP Female Terminal, Tin Plated with Selective 1.27µm Gold in Contact Area, for Square 0.6mm x 0.6mm Pins, Wire Size 0.75mm ²	<u>643221219</u>
0.635mm CMC CP Female Terminal, HP Version, Tin Plated with Selective 1.27µm Gold in Contact Area, for Square 0.60mm x 0.60mm Pins, Wire Size 0.75mm ²	<u>643221339</u>
0.635mm CMC CP Female Terminal, Tin Plated, for Square 0.6mm x 0.6mm Pins, Wire Size 0.50mm ²	<u>643221039</u>
0.635mm CMC CP Female Terminal, Tin Plated with Selective 1.27µm Gold in Contact Area, for Square 0.6mm x 0.6mm Pins, Wire Size 0.50mm ²	<u>643221239</u>
0.635mm CMC CP Female Terminal, HP Version, Tin Plated with Selective 1.27µm Gold in Contact Area, for Square 0.6mm x 0.6mm Pins, Wire Size 0.50mm ²	<u>643221359</u>

This document was generated on Sep 24, 2024