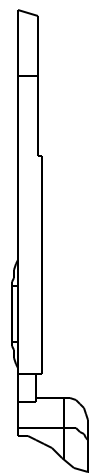
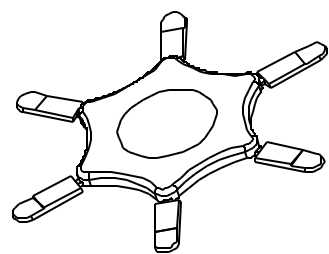
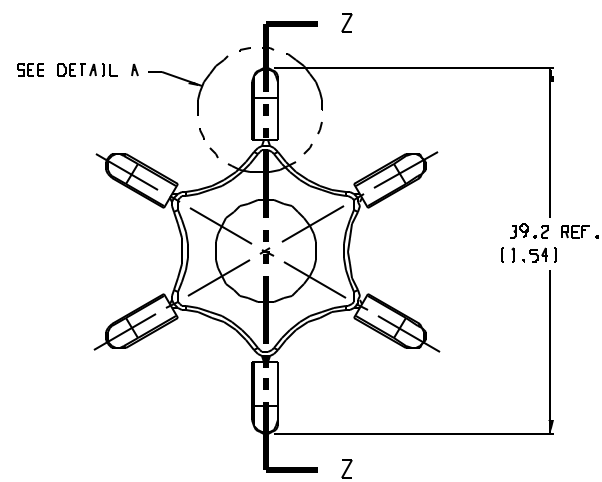
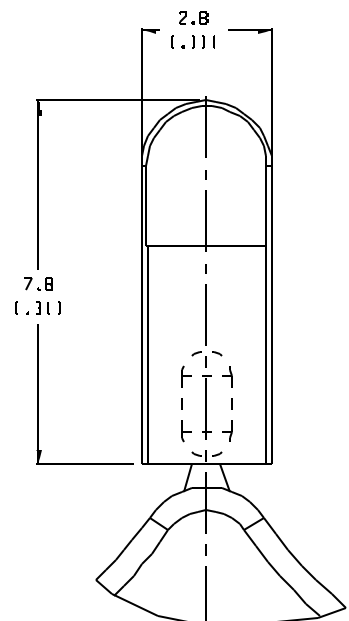


SECTION Z-Z



SCALE 10:1



DETAIL A
SCALE 10:1

- NOTES:
1. MATERIAL: SEE TABLE
 2. FINISHES: SEE TABLE
 3. PRODUCT SPECIFICATION: NOT REQUIRED
 4. PACKAGING: NOT REQUIRED
 5. MATES WITH: NONE

PLUG CODING PIN	THERMOPLASTIC	RED
DESCRIPTION	MATERIAL	FINISH

EC NO. RELEASED DRWN: CLY CHK: [blank] APPR: [blank]	DESCRIPTION MAJOR [blank] CRITICAL [blank] SPEC [blank] S [blank]	GENERAL TOLERANCES (UNLESS SPECIFIED)		SCALE: 2:1	DESIGN UNITS: <input type="checkbox"/> MM <input checked="" type="checkbox"/> INCH	THIRD ANGLE PROJECTION	PROJECT NO.: [blank]	SHEET: [blank]	REV: [blank]
		1 PLACES ±.0015 3 PLACES ±.038 ±.005 2 PLACES ±.13 ±.01 1 PLACE ±.3	ANGLARS: ±2°	DRAWN BY & DATE C. YORK 03-04-04	CHECKED BY & DATE	APPROVED BY & DATE	TITLE: PLUG CODING PINS, 42, 06, AND 94 SERIES PLUGS	MATERIAL NO.: 38002-1701	DRAWING NO.: SD-38002-035
REV: A		DRAFT WHERE APPLICABLE MUST REMAIN WITHIN DIMENSIONS		THIS DRAWING CONTAINS INFORMATION THAT IS PROPRIETARY TO MOLEX (INCORPORATED AND SHOULD NOT BE USED WITHOUT WRITTEN PERMISSION.			PROJECT NO.: [blank]		