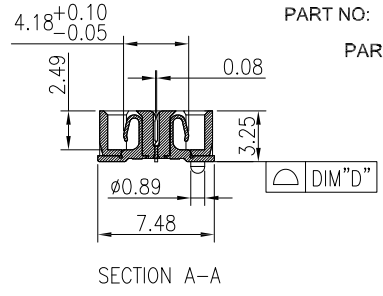
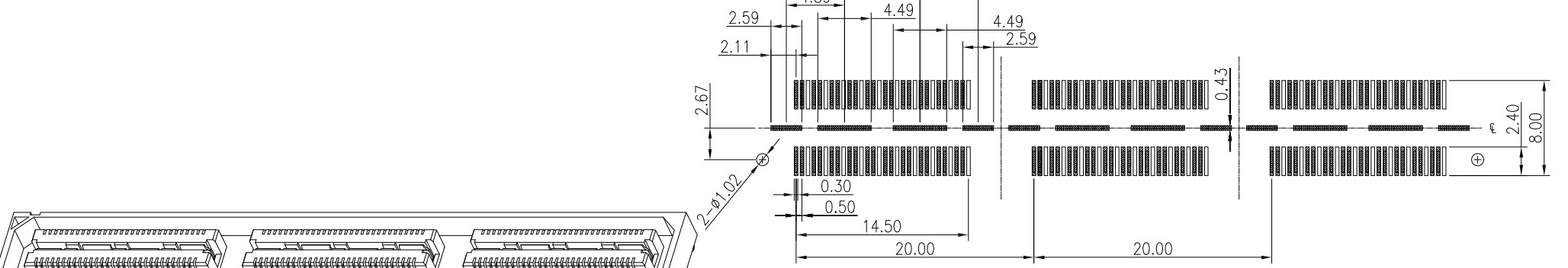
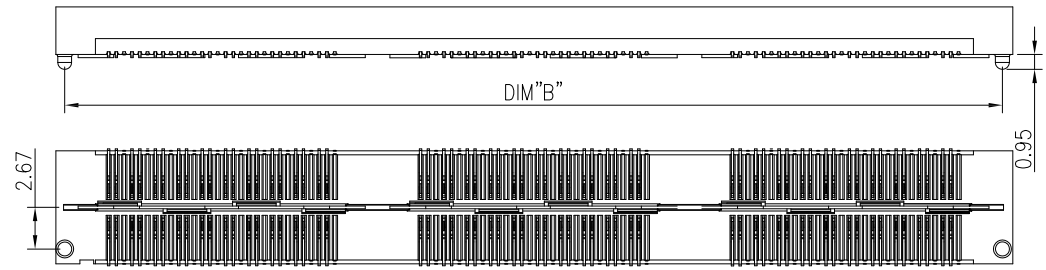


- NOTES:
- HUOSING: LCP HIGH-TEMP THERMOPLASTIC UL94V-0 COLOR: BLACK
 - TERMINAL/GROUND PLANE: PHOSPHOR BRONZE
PLATING: 10μ GOLD IN CONTACT AREA, MATTE TIN ON TALL.
 - Operating Temp Range: -55 to +125
 - Current Rating :
Contact : 2A per pin
Ground Plane : 25A per ground plane
 - Voltage Rating : 175 VAC
 - Max Cycles : 175 VAC

No. of contacts	Dimensions			
	A	B	C	D
40	21.38	20.13	20.18	0.10
80	41.38	40.13	40.18	0.10
120	61.38	60.13	60.18	0.15



PART NO:
PART NO: BSH05-XXX V01 G10 DP T
220:40PIN
240:80PIN
260:120PIN
G10: Au 10μ/Tin



RECOMMENDED PCB PATTERN DIM.
TOLERANCE : ±0.05

OPERATION				SCALE	FIT			MODIFICATION DESCRIPTION	
DIM	TOL								
X.X	±0.30	DRAW	LIUSHENGYU	UNIT	mm				
X.XX	±0.13	DESIGN	LIUSHENGYU	SIZE	A4	PART NO.	BSH05-XXXV01G10DPT		
X.XXX	±0.05	CHECK	LVHAXIN	SHEET	1/2	TITLE:	0.50mm DOUBLE ROW BTB SOCKET H3.25		
Angle	±3°	APPROVE	LVHAXIN	REV	A0	PROJ.			

